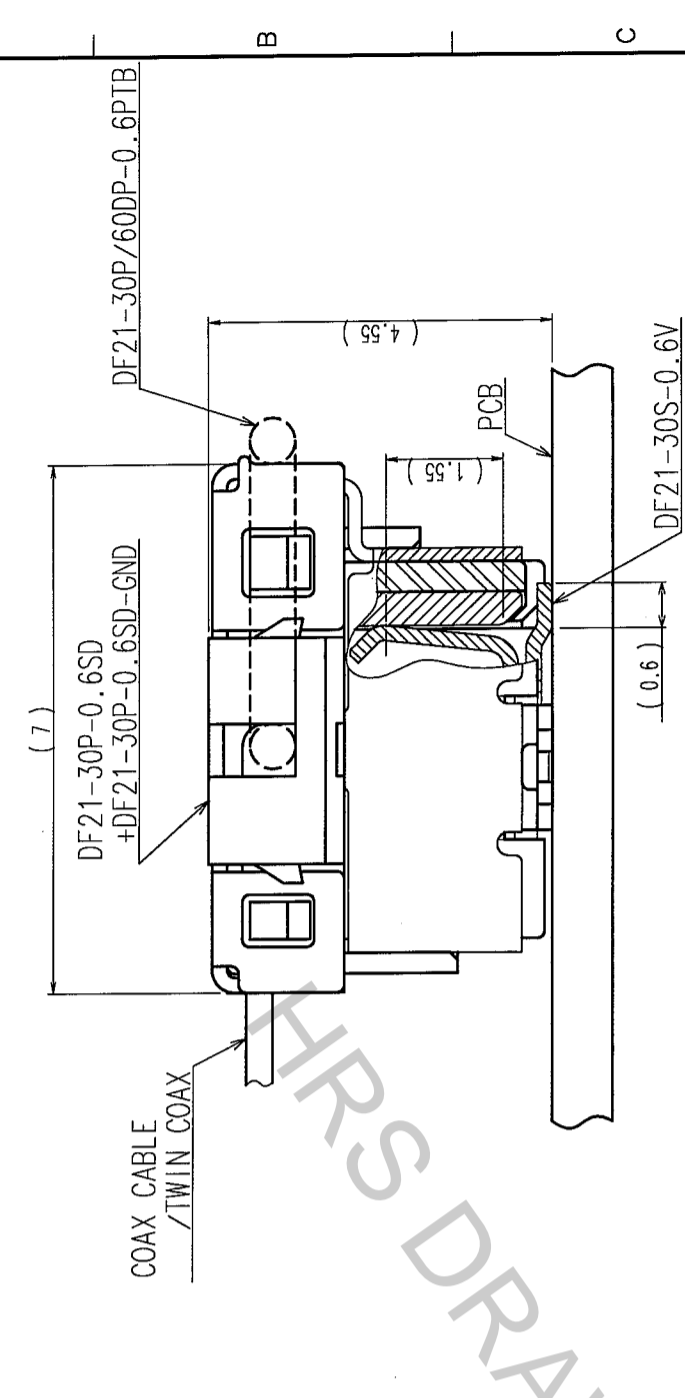
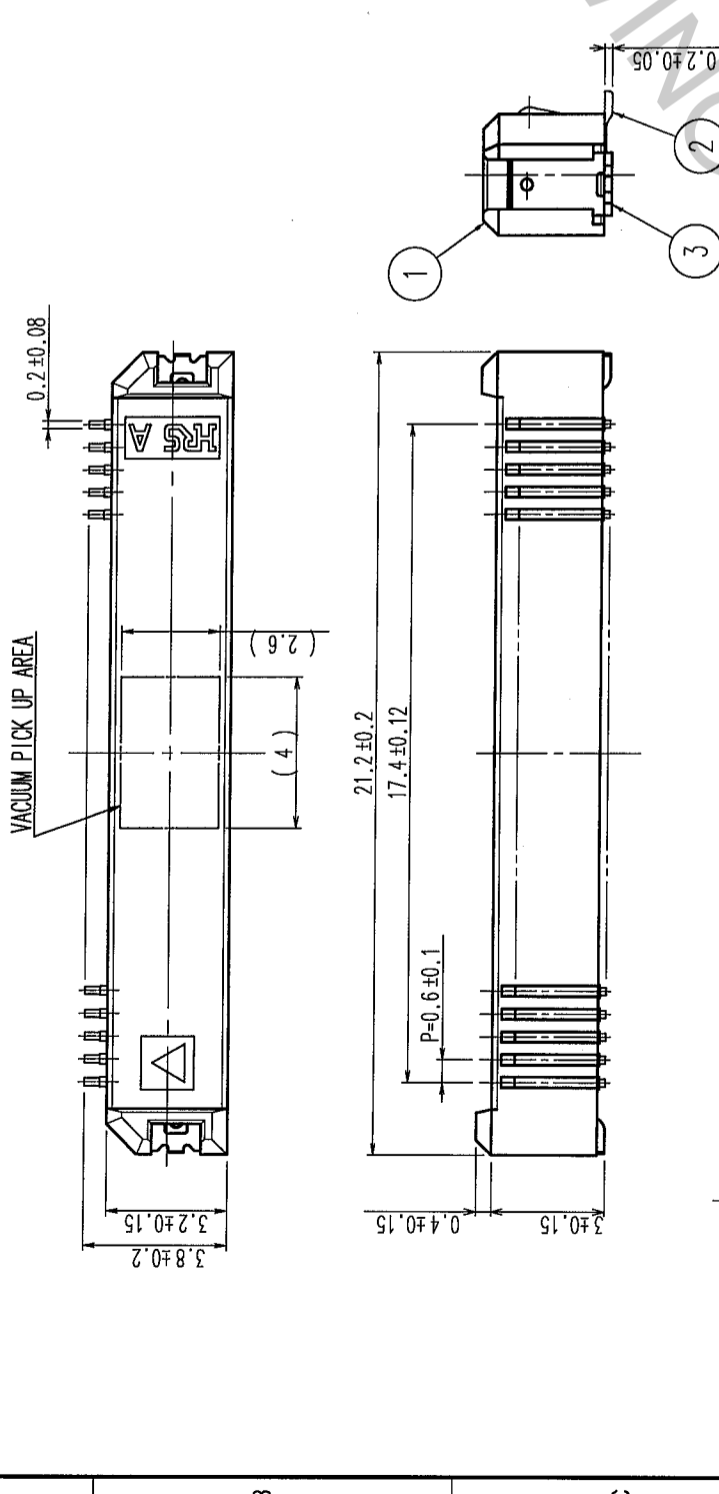
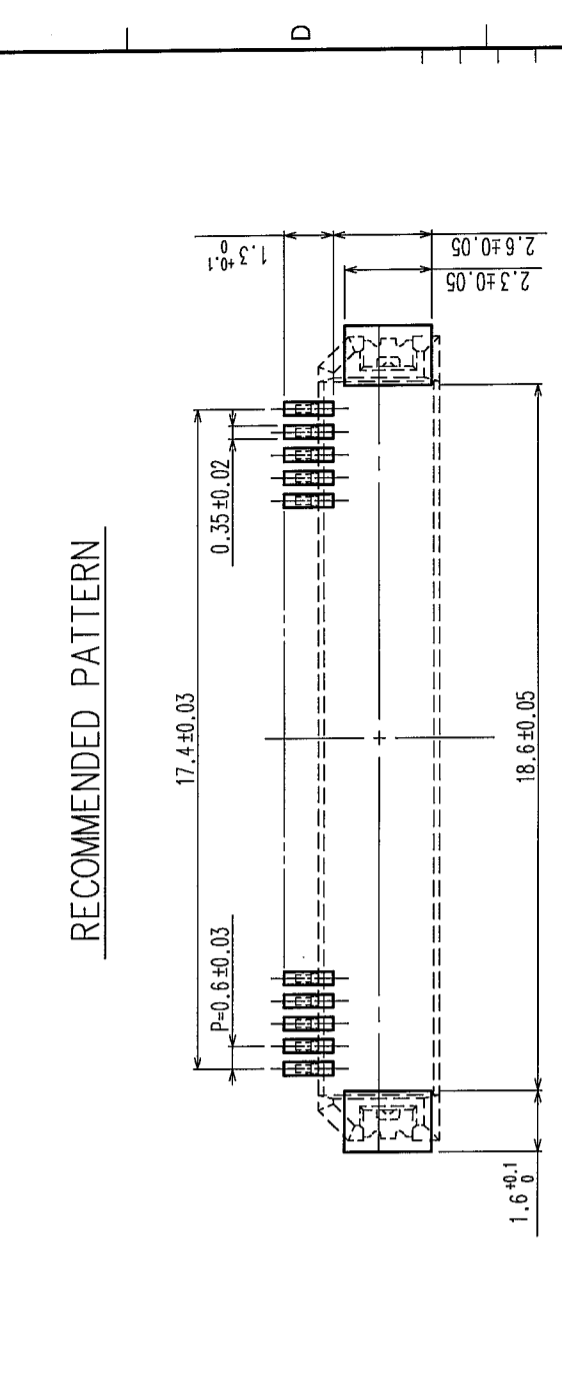


COUNT	DESCRIPTION OF REVISIONS	BY	CHKD	DATE	COUNT	DESCRIPTION OF REVISIONS	BY	CHKD	DATE

APPLICATION DIAGRAM(10:1)



RECOMMENDED PATTERN



NO.	MATERIAL	FINISH, REMARKS	NO.	MATERIAL	FINISH, REMARKS
2	PHOSPHOR BRONZE	SOLDERING AREA:GOLD PLATED 0.1µm min LEAD-AREA:GOLD PLATED 0.05µm min	5	POLYESTER	COVER TAPE, CLEAR
1	LCP-M	UNDER PLATING:NICKEL PLATED 0.5µm min UL94V-0, BLACK	4	PS	EMBOSSED CARRIER TAPE, CLEAR
			3	PHOSPHOR BRONZE	SURFACE:TIN-COPPER PLATED 1µm min UNDER PLATING:NICKEL PLATED 1µm min

CODE NO. (OLD)	CL	DESIGNED	CHECKED	APPROVED	RELEASED
		M. MATSUO	<i>S. Sanyama</i>	<i>J. Oka</i>	
		'05.08.03	'05.08.11	'05.08.11	

DRAWING NO.	PART NO.
EDC3-163487-02	DF21-30S-0.6V(56)

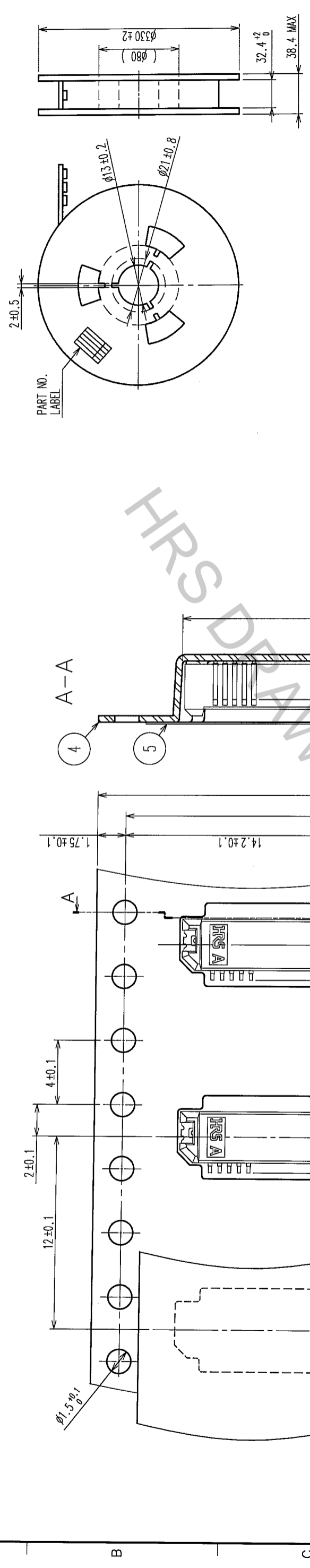
SCALE	UNITS	CODE NO.
5 : 1	mm	CL687-0003-0-56

NOTES1 :LEAD CO-PLANARITY INCLUDING REINFORCED METAL FITTINGS SHALL BE 0.1mm MAX.
2 :A TAPING PACKING DETAIL VIEW IS SHOWN IN 2 PAGES.

TO	

COUNT	DESCRIPTION OF REVISIONS	BY	CHKD	DATE	COUNT	DESCRIPTION OF REVISIONS	BY	CHKD	DATE

STYLE AND DIMENSIONS OF REEL (FREE)

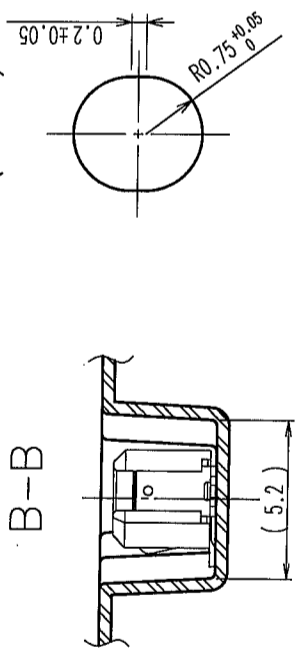


5 > DETAIL OF PART NO. LABEL

DATE OF MANUFACTURED	*****
CODE NO.	CL687-0003-0-56
PART NO.	DF21-30S-0.6V(56)
QUANTITY	1000
SUPPLIER	HIROSE ELECTRIC CO., LTD.

NOTE 3: 1 REEL: 1000 CONNECTORS
 4: AT THE BEGINNING OF REEL, 20 COMPONENTS ARE EMPTY.
 AT THE END OF REEL, 30 COMPONENTS ARE EMPTY.
 5 > DETAIL OF PART NO. LABEL IS WRITTEN IN JAPANESE.

DIRECTION OF UNREELING →



NO.	MATERIAL	FINISH, REMARKS	NO.	MATERIAL	FINISH, REMARKS

NO. (OLD)	CL	DRAWN	M. MATSUO	DESIGNED	S. Sato	CHECKED	H. Imamura	APPROVED	J. Oka	RELEASED	
			'05.08.03		'05.08.11		'05.08.11		'05.08.11		

DRAWING NO.	EDC3-163487-02	PART NO.	DF21-30S-0.6V(56)
SCALE	4 : 1		
UNITS	mm		



HIROSE ELECTRIC CO., LTD.

CL687-0003-0-56