

F

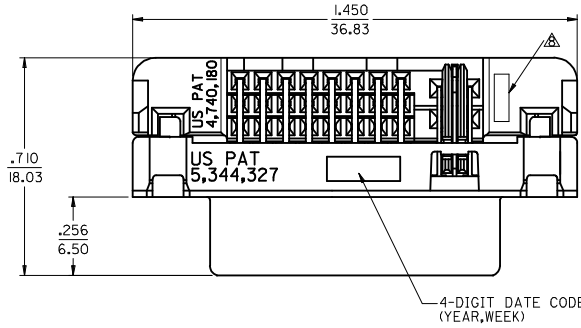
E

D

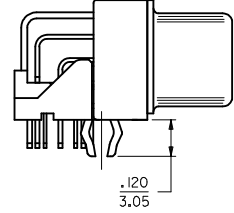
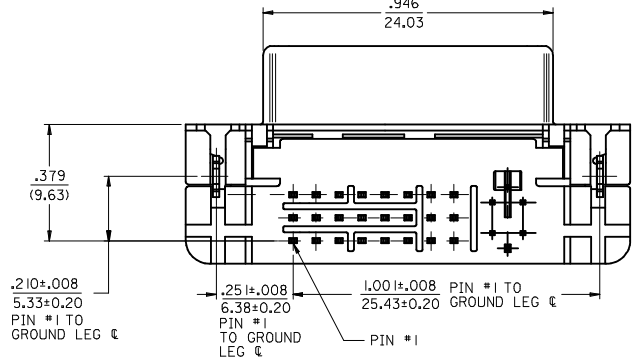
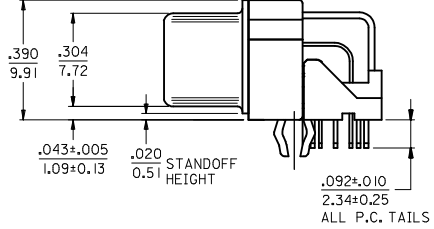
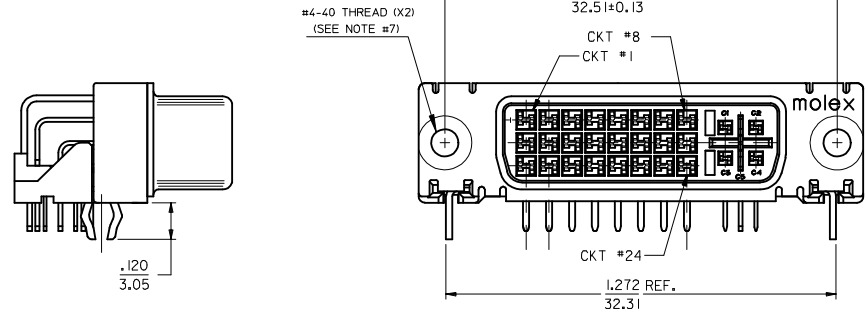
C

B

A



- NOTES:
- MATERIAL:
 - SHIELD: DEEP DRAW STEEL;
 - HOUSING: LCP, UL94V-0, NATURAL (WHITE);
 - TAIL ALIGNER: LCP, UL94V-0, NATURAL (WHITE);
 - CONTACT: COPPER ALLOY.
 - PLATING: SEE SHEET 2.
 - PRODUCT CONFORMS TO MOLEX PRODUCT SPECIFICATION NUMBER PS-74320-001.
 - SEE SHEET 2 FOR RECOMMENDED PANEL CUT-OUT AND P.C.B. LAYOUT.
 - PARTS WILL BE PACKAGED IN TRAYS PER PK-74320-010.
 - PRODUCT CONFORMS TO DDWG DVI SPECIFICATION. REFER TO THIS SPECIFICATION FOR CONNECTOR MATING DIMENSIONS.
 - RECOMMENDED MOUNTING HARDWARE IS MOLEX P/N 71781-0001 OR 82007-0300 OR 88780-6066. REFER TO PRODUCT SPECIFICATION NUMBER PS-74320-001 FOR THIS APPLICATION TORQUE REQUIREMENT FOR ASSEMBLING MOUNTING HARDWARE.
- ⚠ CAVITY ID AND MANUFACTURING PLANT CODE.



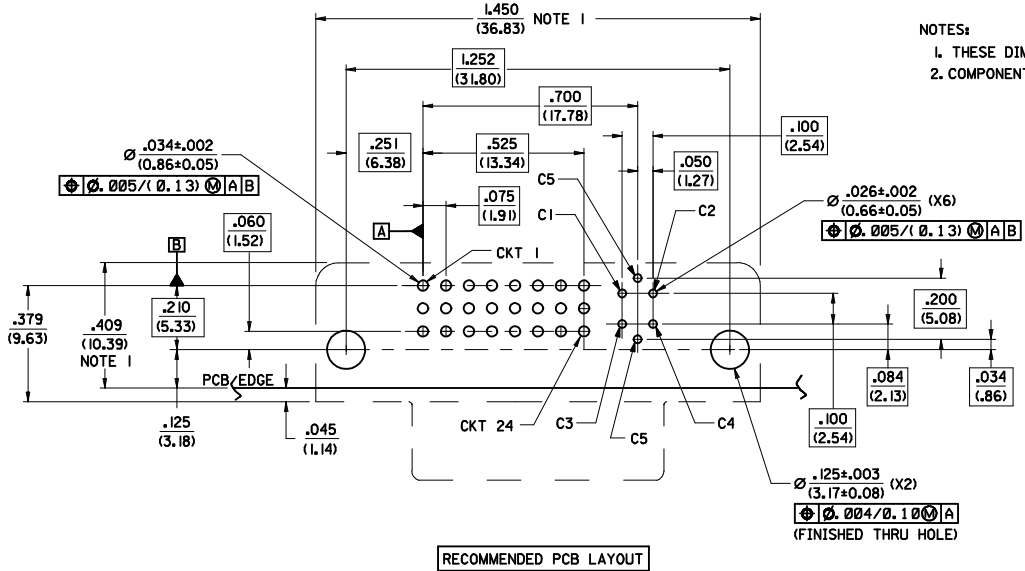
PART NUMBER	PLATING OPTION
74320-9010	1
74320-9014	2

REV	DESCRIPTION
REVISED	EC NO: SH2015-0200
DRWN:XOZHANG	2014/12/11
CHKD:XOZHANG	2014/12/11
APPR:AYIN	2015/02/09

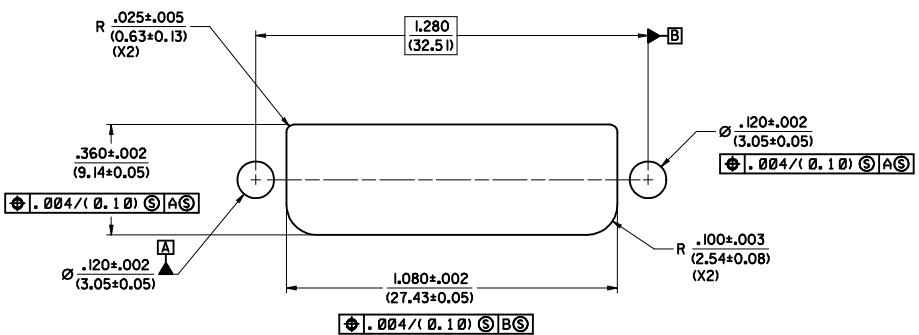
QUALITY SYMBOLS	GENERAL TOLERANCES (UNLESS SPECIFIED)
∇=0	mm INCH
∇=0	4 PLACES ± --- ± ---
∇=0	3 PLACES ± --- ± 0.010
	2 PLACES ± 0.25 ± 0.010
	1 PLACE ± 0.25 ± 0.010
	0 PLACE ± --- ± ---
	ANGULAR ± 0.5°
	DRAFT WHERE APPLICABLE MUST REMAIN WITHIN DIMENSIONS

DIMENSION STYLE		SCALE	DESIGN UNITS	THIRD ANGLE PROJECTION
IN/MM		1:1	INCH	⊙
DRAWN BY	DATE	TITLE		
XJSONG	2011/08/18	DVI-I RIGHT ANGLE RECEPTACLE CONNECTOR W/FORKLOCK		
CHECKED BY	DATE			
XJSONG	2011/08/18			
APPROVED BY	DATE			
RZHANG	2011/08/22	moLEX		
MATERIAL NO.		DOCUMENT NO.		SHEET NO.
SEE TABLE		SD-74320-026		1 OF 2

DRAWN BY		DATE	TITLE	
XJSONG		2011/08/18	DVI-I RIGHT ANGLE RECEPTACLE CONNECTOR W/FORKLOCK	
CHECKED BY		DATE		
XJSONG		2011/08/18		
APPROVED BY		DATE		
RZHANG		2011/08/22	moLEX	
MATERIAL NO.		DOCUMENT NO.		SHEET NO.
SEE TABLE		SD-74320-026		1 OF 2



NOTES:
 1. THESE DIMENSIONS REPRESENT CONNECTOR OVERLAY ON PCB.
 2. COMPONENT SIDE OF PCB SHOWN.



NOTE:
 1. PANEL THICKNESS: .030" - .040".

PLATING OPTIONS:
PLATING OPTION #1:
 OUTER SHIELD -- 150u"/(3.75um) MIN. BRIGHT TIN OVER 50u"/(1.27um) MIN. NICKEL OVER COPPER FLASH
 .075"/(1.91mm) CONTACTS -- 30u"/(0.75um) MIN. SELECT GOLD AND 100u"/(2.50um) MIN. SELECT PURE TIN OVER 50u"/(1.27um) MIN. NICKEL OVERALL.
PLATING OPTION #2:
 OUTER SHIELD -- 150u"/(3.75um) MIN. BRIGHT TIN OVER 50u"/(1.27um) MIN. NICKEL OVER COPPER FLASH
 .075"/(1.91mm) CONTACTS -- SELECT GOLD FLASH AND 100u"/(2.50um) MIN. SELECT PURE TIN OVER 50u"/(1.27um) MIN. NICKEL OVERALL.

SEE SHEET 1 EC NO: SH2015-0200 DRWN: XQZHANG 2014/12/11 CH'KD: XQZHANG 2014/12/11 APPR: AYIN 2015/02/09	QUALITY SYMBOLS	GENERAL TOLERANCES (UNLESS SPECIFIED)		DIMENSION STYLE	SCALE	DESIGN UNITS	THIRD ANGLE PROJECTION		
	▽ _A = 0	mm	INCH	IN/MM	1:1	INCH			
	▽ _C = 0	4 PLACES ± --- ± ---	3 PLACES ± --- ± 0.10	2 PLACES ± 0.25 ± 0.010	1 PLACE ± 0.25 ± 0.010	0 PLACE ± --- ± ---	DRAWN BY DATE TITLE		
	▽ _B = 0	ANGULAR ± 0.5°		DRAFT WHERE APPLICABLE MUST REMAIN WITHIN DIMENSIONS		DRAWN BY DATE TITLE		DVI-I RIGHT ANGLE RECEPTACLE CONNECTOR W/FORKLOCK molex	
REV	DESCRIPTION	MATERIAL NO.		DOCUMENT NO.		SHEET NO.			
1		SEE SHEET 1		SD-74320-026		2 OF 2			
		SIZE A3		THIS DRAWING CONTAINS INFORMATION THAT IS PROPRIETARY TO MOLEX INCORPORATED AND SHOULD NOT BE USED WITHOUT WRITTEN PERMISSION					