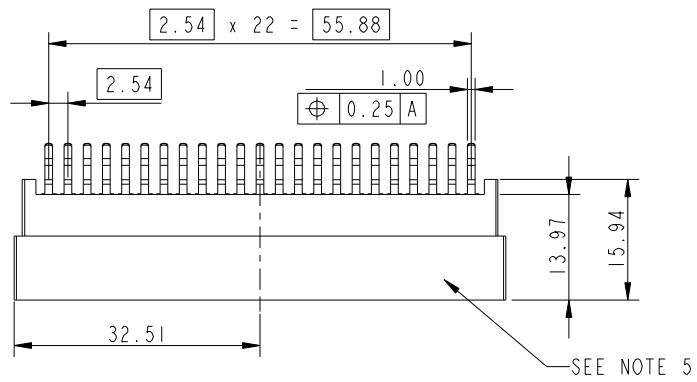
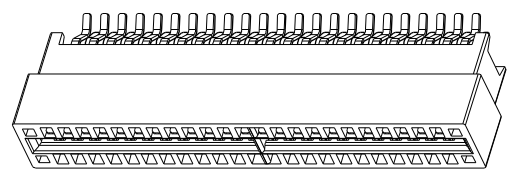
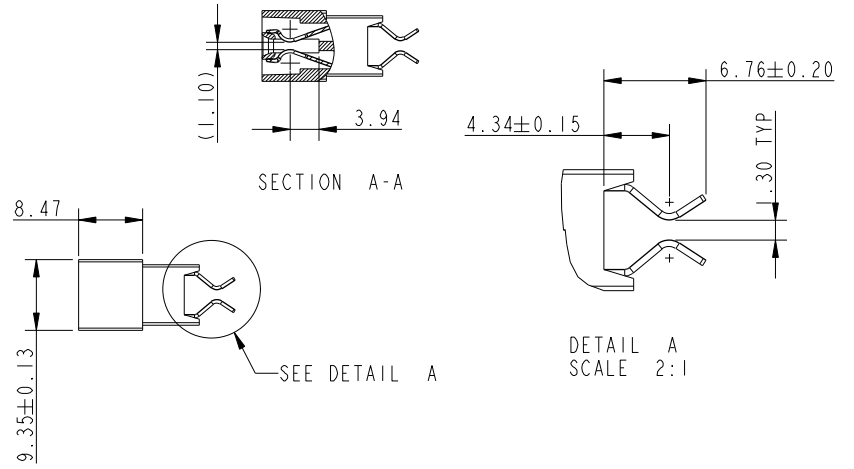
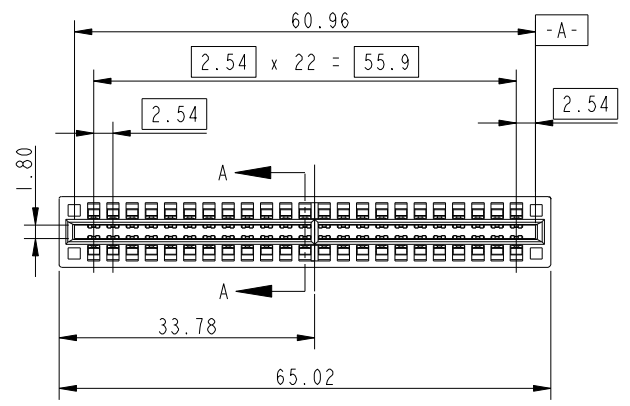


PRODUCT NO
10034908-014LF

REV	ECR NUMBER	REV'D BY	DATE
A	DG10-0379	ZWL	11/07/10



- NOTE:
 1. MATERIAL
 HOUSING: HIGH TEMPERATURE THERMOPLASTIC
 UL 94 V-0 FLAME RETARDANT, BLACK.
 TERMINAL: HIGH CONDUCTIVITY COPPER ALLOY.
 PLATING: CONTACT AREA: 30u" Au OVER 50u" Ni UNDER ALL
 SOLDER TAIL: 100u" MATTE PURE TIN OVER 50u" Ni UNDER.
2. PRODUCT SPECIFICATION: GS-12-279.
3. PRODUCT PACKAGING SPEC: GS-14-937.
4. PART NUMBER 10034908-014LF MEETS EUROPEAN UNION
 DIRECTIVE AND OTHER COUNTRY REGULATIONS AS DESCRIBED
 IN GS-22-008.
 THE HOUSING WILL WITHSTAND EXPOSURE TO 260°C PEAK
 TEMPERATURE FOR 10 SECONDS IN A REFLOW SOLDER APPLICATION
 WITH A CIRCUIT BOARD.
5. MANUFACTURER'S NAME, P/N AND DATE CODE
 TO APPEAR ON THIS SURFACE AS PER GS-24-007.



CUSTOMER COPY			THIRD ANGLE PROJECTION		FCI				
DO NOT SCALE DRAWING			DIMENSIONAL LIMITS APPLY AFTER PLATING (IF SPECIFIED)		DESCRIPTION				
GENERAL TOLERANCE			NAME		SRADDLE MOUNT TYPE POWER EDGE CARD				
MILLIMETER	INCH	ANGLE	DRAWN	DATE	SCALE	SIZE	DRAWING NO.	REV	SHEET
X.X ±0.8	.XX ±0.03	±3°	SHOWER MA	07/17/10	1:1	A4	10034908-014	A	1 OF 2
X.XX ±0.25	.XXX ±0.010		CHECKED	07/17/10					
X.XXX ±0.13	.XXXX ±0.005		APPROVED	07/17/10					

ALL RIGHT RESERVED. REPRODUCTION OR ISSUE TO THIRD PARTIES IN ANY FORM WHATEVER IS NOT PERMITTED WITHOUT WRITTEN AUTHORITY FROM THE PROPRIETOR. PROPERTY OF F C I. COPYRIGHT F C I.

