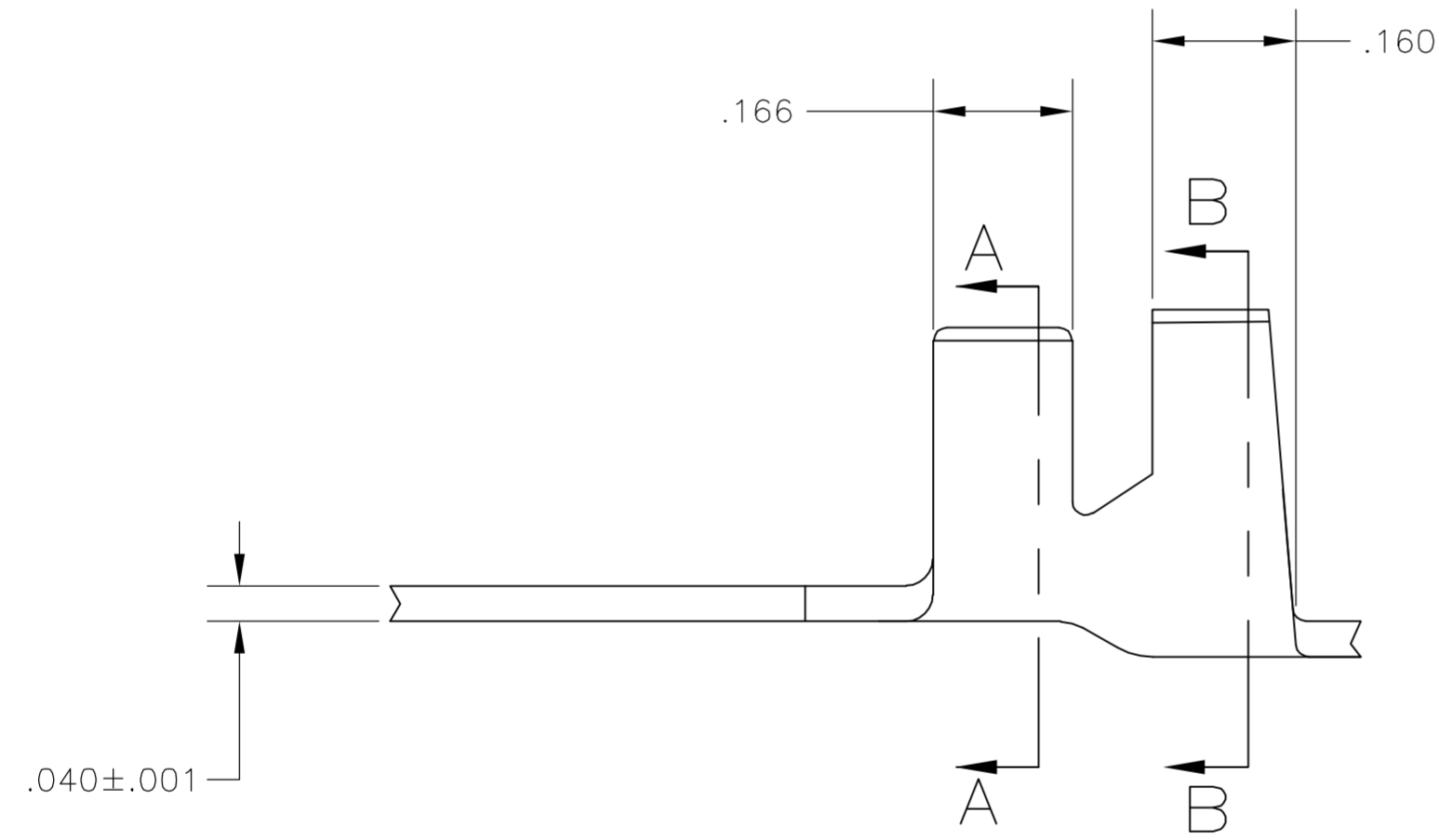
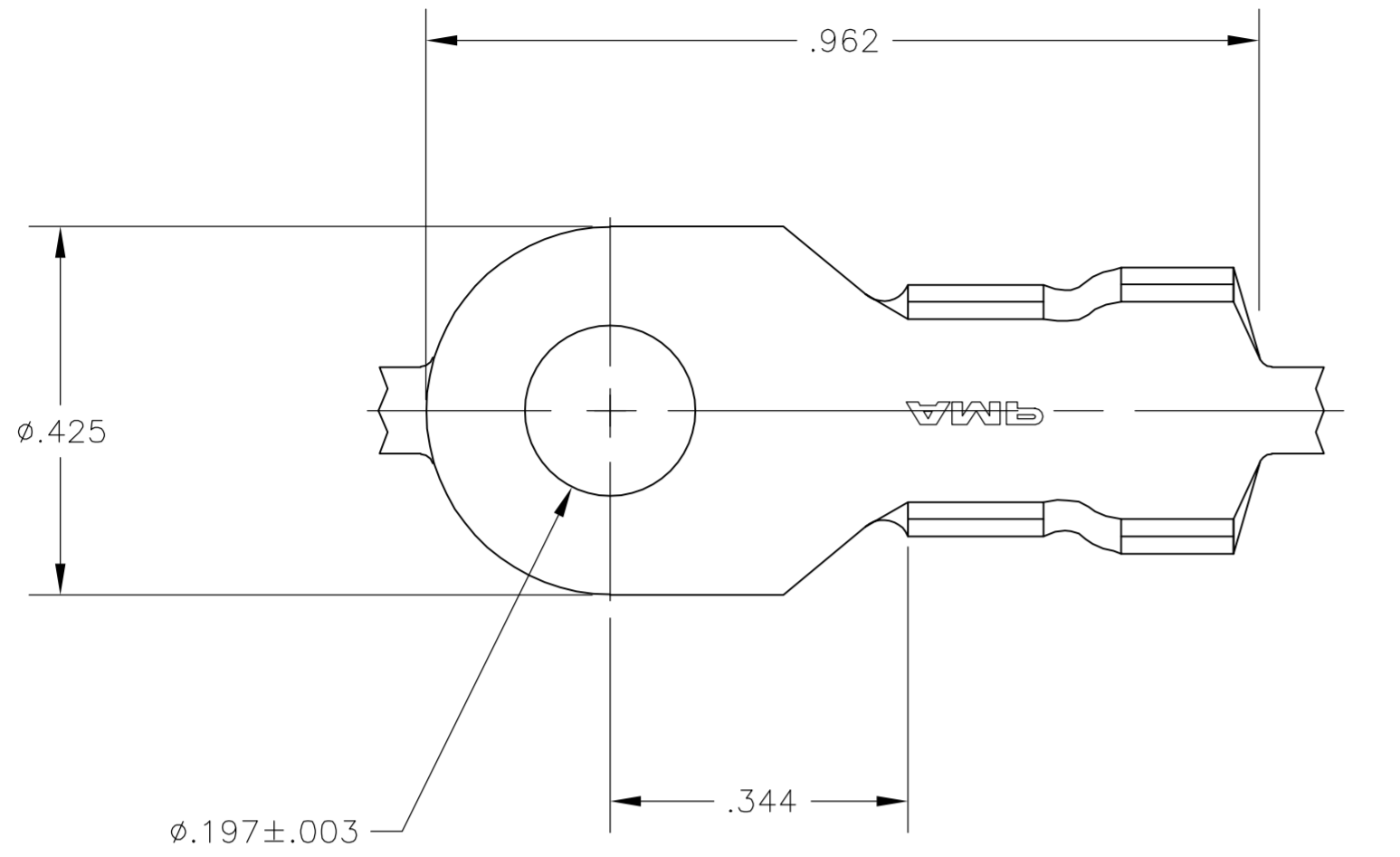
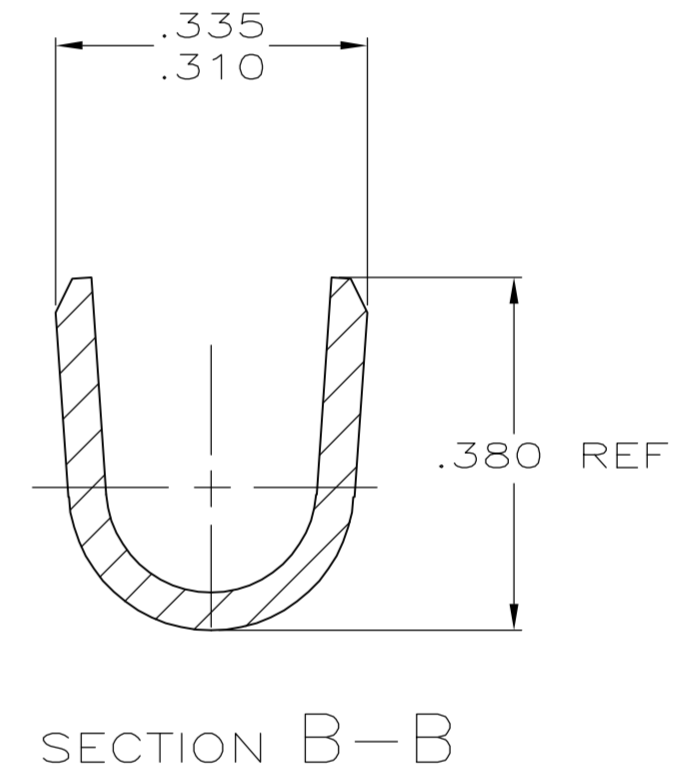
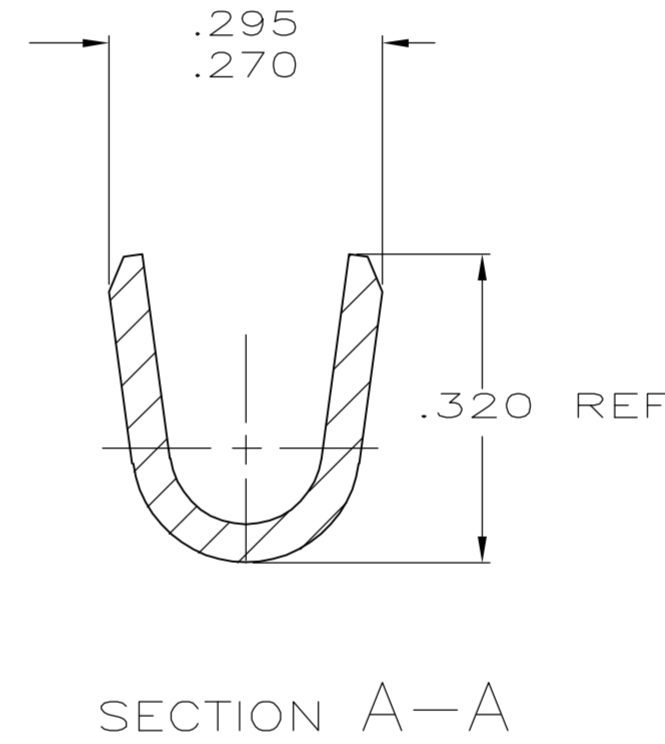


THIS DRAWING IS UNPUBLISHED. RELEASED FOR PUBLICATION
 © COPYRIGHT BY TYCO ELECTRONICS CORPORATION. ALL RIGHTS RESERVED.

LOC	DIST	REVISIONS			
P	LTR	DESCRIPTION	DATE	DWN	APVD
AF	50	E1	REVISED PER ECR-06-002775	15FEB06	HMR DD



- 1 CONTINUOUS STRIP ON REEL.
- 2 WIRE RANGE: #10-#8 AWG.
- 3 INSULATION RANGE: .190-.230 DIA.
- △4 .000080 MIN BRIGHT TIN PLATE OVER
.000050 MIN NICKEL UNDERPLATE.
- △5 .000080 MIN TIN PLATE.



-	640249-4
△5	640249-3
-	-
△4	640249-1
FINISH	PART NUMBER

THIS DRAWING IS A CONTROLLED DOCUMENT.		DWN 02MAY2003 MICHAEL S. FEHER	Tyco Electronics Corporation Harrisburg, PA 17105-3608															
DIMENSIONS: INCHES		CHK 02MAY2003 DONALD F. DECKER																
TOLERANCES UNLESS OTHERWISE SPECIFIED:		APVD 02MAY2003 DONALD F. DECKER	NAME #10 STUD, TONGUE, RING															
<table border="1"> <tr><td>0 PLC</td><td>± -</td></tr> <tr><td>1 PLC</td><td>± -</td></tr> <tr><td>2 PLC</td><td>± .010</td></tr> <tr><td>3 PLC</td><td>± -</td></tr> <tr><td>4 PLC</td><td>± -</td></tr> <tr><td>ANGLES</td><td>± -</td></tr> <tr><td>FINISH</td><td>SEE TABLE</td></tr> </table>		0 PLC	± -	1 PLC	± -	2 PLC	± .010	3 PLC	± -	4 PLC	± -	ANGLES	± -	FINISH	SEE TABLE	PRODUCT SPEC -	SIZE A2	CAGE CODE 00779
0 PLC	± -																	
1 PLC	± -																	
2 PLC	± .010																	
3 PLC	± -																	
4 PLC	± -																	
ANGLES	± -																	
FINISH	SEE TABLE																	
MATERIAL 082 BRASS		APPLICATION SPEC -	DRAWING NO C=640249															
		WEIGHT -	RESTRICTED TO -															
		CUSTOMER DRAWING		SCALE 5:1 SHEET 1 of 1 REV E1														