

NOTES:

1.0 ELECTRICAL SPECIFICATIONS:

- 1.1 FREQUENCY RANGE: DC to 2500 MHz
- 1.2 OPERATING RF INPUT POWER LEVEL: 1 WATT MAX.
- 1.3 MAIN RF PATH ATTENUATION: 0.5 ±0.15dB
- 1.4 SAMPLED PORT COUPLING: 26 ±1.2dB
- 1.5 VSWR: 1.20:1 MAX.

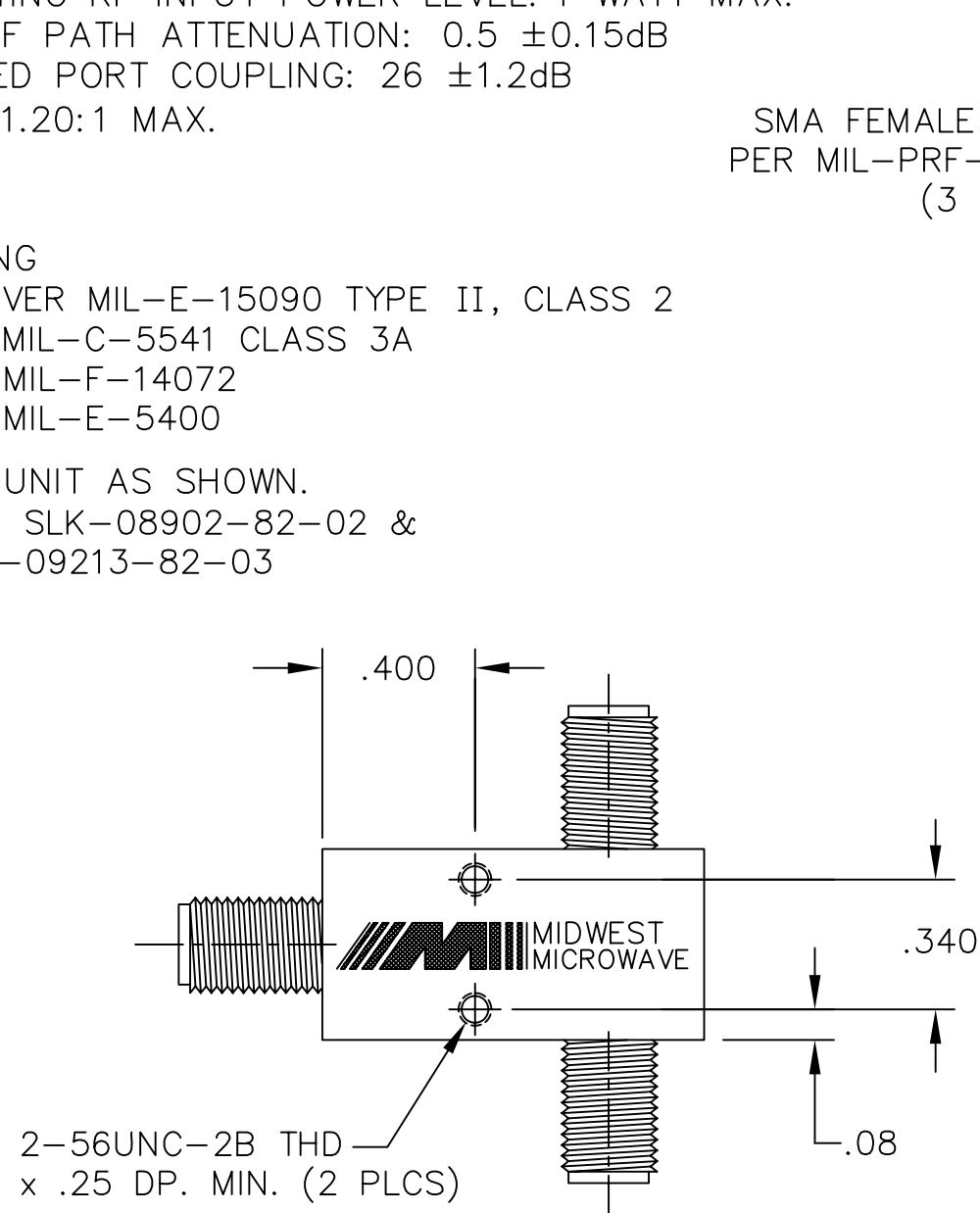
2.0 FINISHING

- 2.1 GREY OVER MIL-E-15090 TYPE II, CLASS 2  
OVER MIL-C-5541 CLASS 3A  
MEETS MIL-F-14072  
MEETS MIL-E-5400

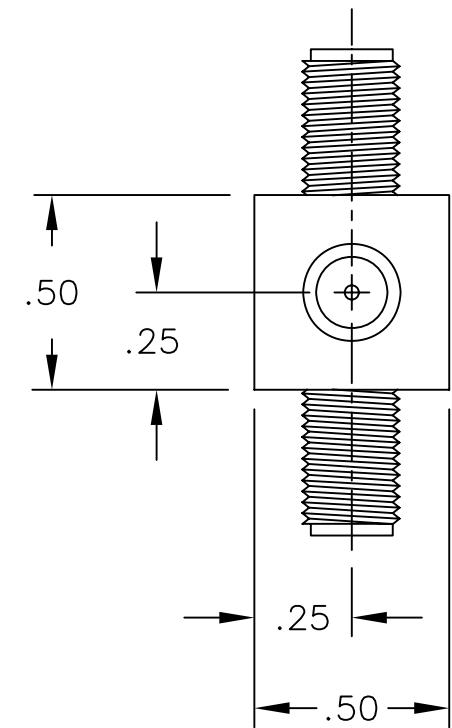
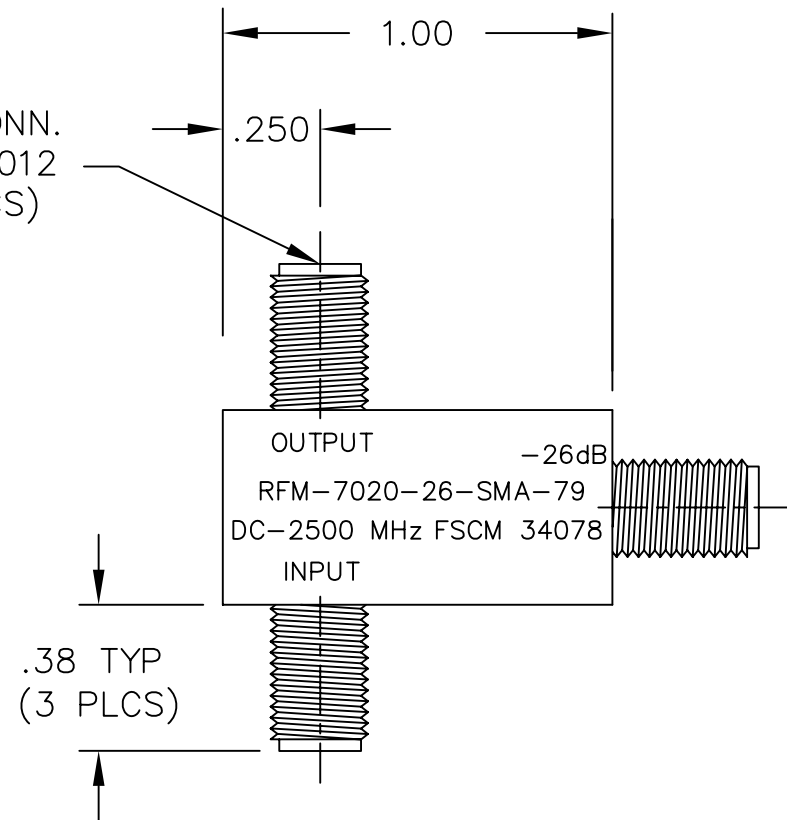
2.2 MARK UNIT AS SHOWN.

REF.: SLK-08902-82-02 &  
SLK-09213-82-03

MODEL NUMBER	RFM-7020-26-SMA-79
REV.	A1



SMA FEMALE CONN.  
PER MIL-PRF-39012  
(3 PLCS)



BACKSIDE  
MARKING

UNLESS OTHERWISE NOTED DIMENSIONS ARE IN INCHES AND TOLERANCES ARE:

- 3 PLACE DECIMALS ±.005
- 2 PLACE DECIMALS ±.02
- FRACTIONS ±1/64
- PARALLELITY: T.I.R. \_\_\_\_\_
- FLATNESS: T.I.R. \_\_\_\_\_
- CONCENTRICITY: T.I.R. \_\_\_\_\_
- ANGLES AND PERPENDICULARITY: ±1°

FSCM NO. <b>34078</b>		<b>MIDWEST MICROWAVE</b>	
NOTICE: The information contained in this drawing is proprietary and must not be used without the permission of Midwest Microwave		TITLE RF SIGNAL SAMPLER	
DRAWN/DATE A.BEATTY 7/18/94	ENG./DATE P.GOODMAN 8/5/94	DRAWING NUMBER RFM-7020-26-SMA-79	
CHECKED/DATE M.HOLLMAN 8/1/94	APPROVED/DATE	SCALE: 2=1	SHEET 1 of 1

DATE	8/6/94
DESCRIPTION	RELEASED
REV.	A
	ECN 13919
	ADDED TITLEBLOCK
	7/21/05