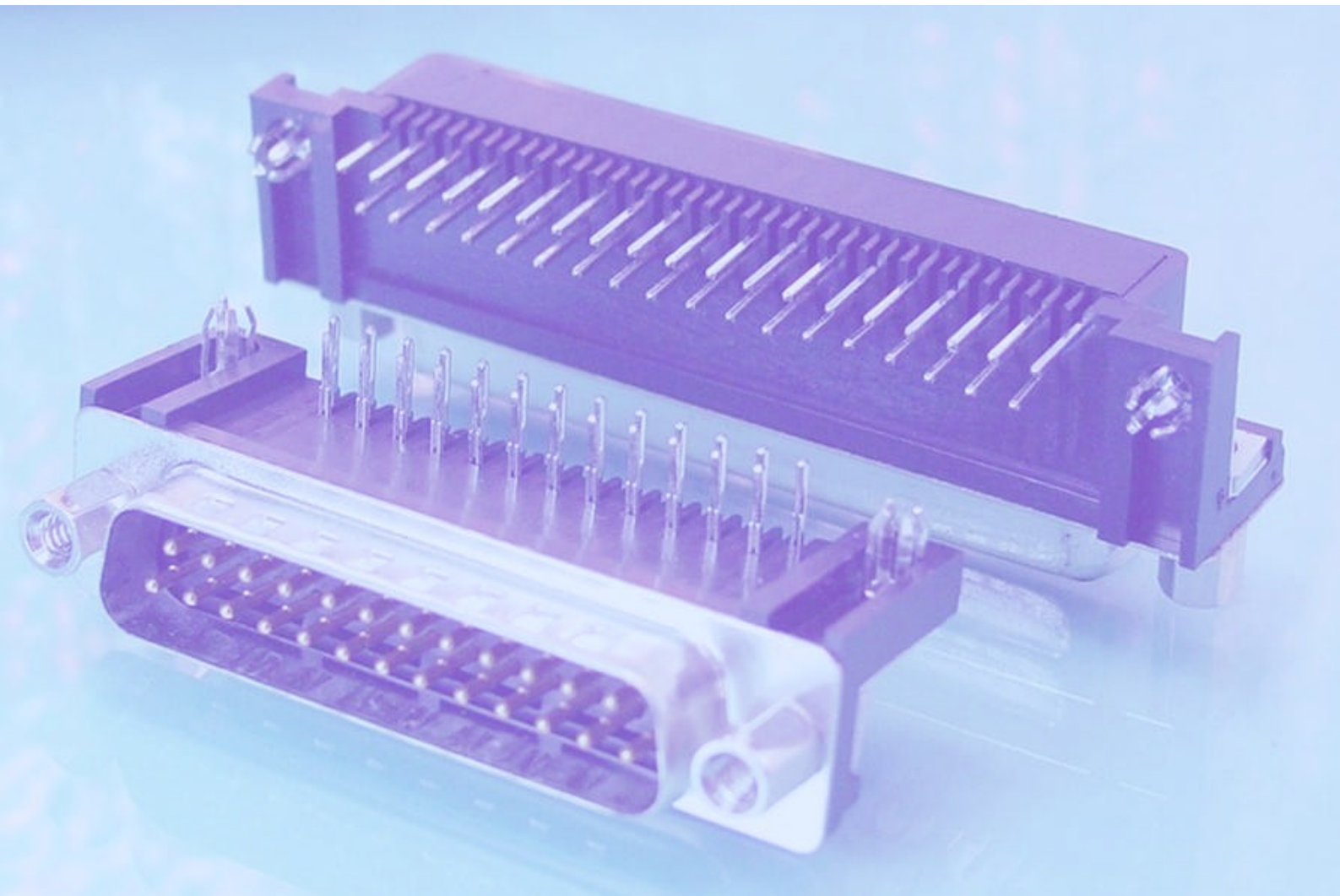


Amphenol InfoCom Europe

***D-Subminiature
Distribution Catalogue***



Amphenol

Now you're connected !

Table of Content

Standard Density Connectors :

Solder Cup :	
Plug	Page 4
Receptacle	Page 5
Crimp :	
Plug	Page 6
Receptacle	Page 7
Male Contact	Page 8
Female Contact	Page 9
Flat Ribbon IDC :	
Plug	Page 10
Receptacle	Page 11
Straight PCB :	
Plug Rear Inserts	Page 12
Receptacle Rear Inserts	Page 13
Plug Front Screwlocks	Page 14
Receptacle Front Screwlocks	Page 15
Straight PCB Low Profile :	
Plug Rear Inserts	Page 16
Receptacle Rear Inserts	Page 17
Plug Front Screwlocks	Page 18
Receptacle Front Screwlocks	Page 19
Right Angle MIL Footprint :	
Plug Rear Inserts	Page 20
Receptacle Rear Inserts	Page 21
Plug Front Screwlocks	Page 22
Receptacle Front Screwlocks	Page 23
Right Angle Europe Footprint :	
Plug Rear Inserts	Page 24
Receptacle Rear Inserts	Page 25
Plug Front Screwlocks	Page 26
Receptacle Front Screwlocks	Page 27

High Density Connectors :

Solder Cup :	
Plug	Page 28
Receptacle	Page 29
Crimp :	
Plug	Page 30
Receptacle	Page 31
Male Contact	Page 32
Female Contact	Page 33
Straight PCB :	
Plug Rear Inserts	Page 34
Receptacle Rear Inserts	Page 35
Plug Front Screwlocks	Page 26
Receptacle Front Screwlocks	Page 37
Right Angle :	
Plug Rear Inserts	Page 38
Receptacle Rear Inserts	Page 39
Plug Front Screwlocks	Page 40
Receptacle Front Screwlocks	Page 41

Hoods :

Plastic :

Top Entry Page 42
side Entry Page 43

Plastic Metallized :

Top Entry Page 44
side Entry Page 45

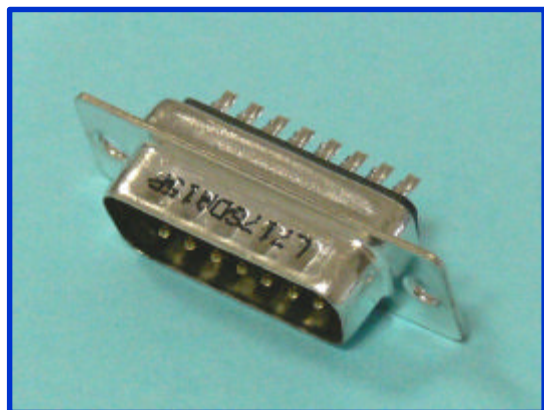
Metallic :

Top Entry Page 46
side Entry Page 47

General Information :

Amphenol D-Subminiature family of connectors offers a wide variety of styles, options and accessories. The products featuring in this catalogue are the basic and economical ones. The different configurations, terminations, mounting options and performance levels will permit you to find the right product you need for most of the applications. All with the highest quality of an Amphenol product.

Plug Solder Cup



Specifications :

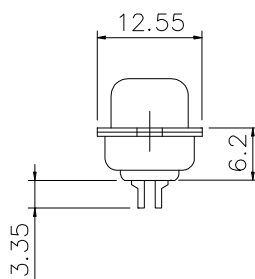
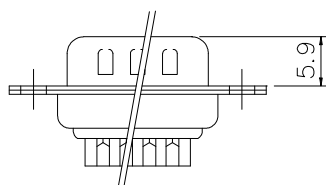
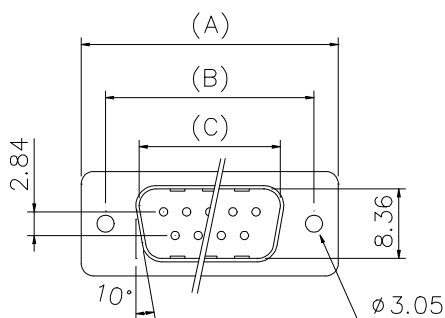
- Contact Resistance : 20 m Ω Max
- Insulator Resistance : 1000 M Ω Min at 500V DC
- Current Rating: 5A
- Dielectric Withstanding Voltage : 1000V AC for 1 minute
- Operating Temperature : -55 $^{\circ}$ C to +105 $^{\circ}$ C

Materials :

- Contact : Brass
- Housing : Glass-filled thermoplastic, UL94V-0
- Shell : Steel, Tin plated

Dimensions :

Nb of Contacts	A	B	C
9	30,89	24,99	16,92
15	39,10	33,32	25,25
25	53,09	47,04	38,96
37	69,40	63,50	55,42



Part Numbers :

Nb of Contacts	Performance Level 3 (flash Gold)	Performance Level 2 (0,38 μ m Gold)	Performance Level 1 (0,76 μ m Gold)
9	L717SDE09P	L777SDE09P	L717SDE09PC309
15	L717SDA15P	L777SDA15P	L717SDA15PC309
25	L717SDB25P	L777SDB25P	L717SDB25PC309
37	L717SDC37P	L777SDC37P	L717SDC37PC309

Performance levels as per DIN 41 652/IEC 807-3

Receptacle Solder Cup



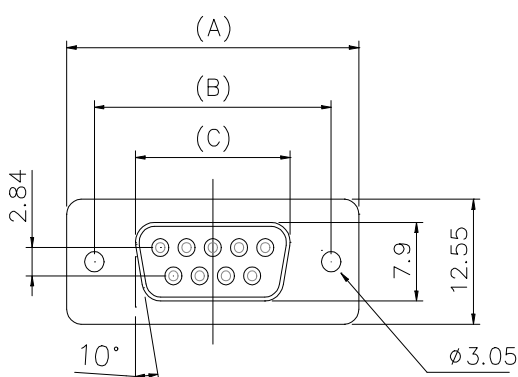
Specifications :

Contact Resistance : 20 m Ω Max
 Insulator Resistance : 1000 M Ω Min at 500V DC
 Current Rating: 5A
 Dielectric Withstanding Voltage : 1000V AC for 1 minute
 Operating Temperature : -55 $^{\circ}$ c to +105 $^{\circ}$ c

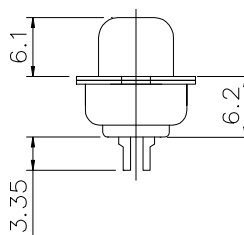
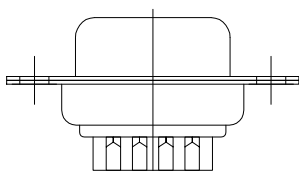
Materials :

Contact : Bronze
 Housing : Glass-filled thermoplastic, UL94V-0
 Shell : Steel, Tin plated

Dimensions :



Nb of Contacts	A	B	C
9	30,89	24,99	16,33
15	39,10	33,32	24,66
25	53,09	47,04	38,38
37	69,40	63,50	54,84



Part Numbers :

Nb of Contacts	Performance Level 3 (flash Gold)	Performance Level 2 (0,38 μ m Gold)	Performance Level 1 (0,76 μ m Gold)
9	L77SDE09S	L177SDE09S	L77SDE09SC309
15	L77SDA15S	L177SDA15S	L77SDA15SC309
25	L77SDB25S	L177SDB25S	L77SDB25SC309
37	L77SDC37S	L177SDC37S	L77SDC37SC309

Performance levels as per DIN 41 652/IEC 807-3

Plug Crimp



Specifications :

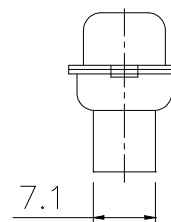
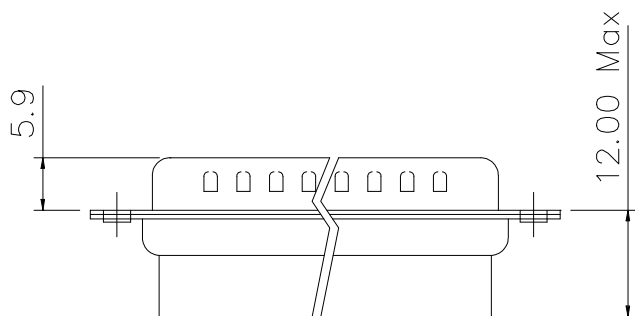
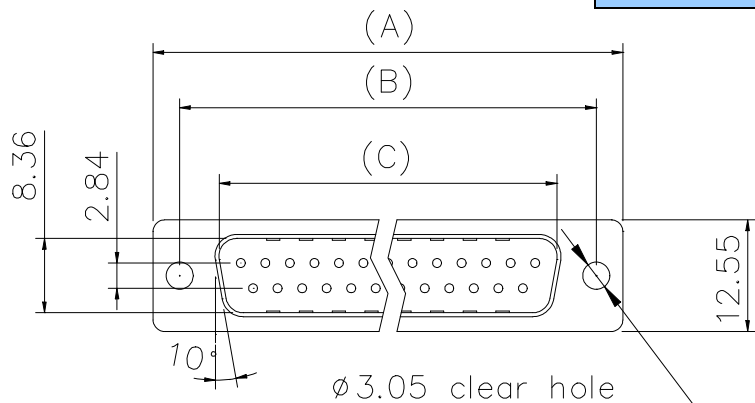
Contact Resistance : 20 m Ω Max
 Insulator Resistance : 1000 M Ω Min at 500V DC
 Current Rating: 3A
 Dielectric Withstanding Voltage : 1000V AC for 1 minute
 Operating Temperature : -55 $^{\circ}$ C to +105 $^{\circ}$ C

Materials :

Housing : Glass-filled thermoplastic, UL94V-0
 Shell : Steel, Tin plated

Dimensions :

Nb of Contacts	A	B	C
9	30,89	24,99	16,92
15	39,10	33,32	25,25
25	53,09	47,04	38,96
37	69,40	63,50	55,42



Part Numbers :

Nb of Contacts	Part Number
9	L777RRE09P
15	L777RRA15P
25	L777RRB25P
37	L777RRC37P



Receptacle Crimp



Specifications :

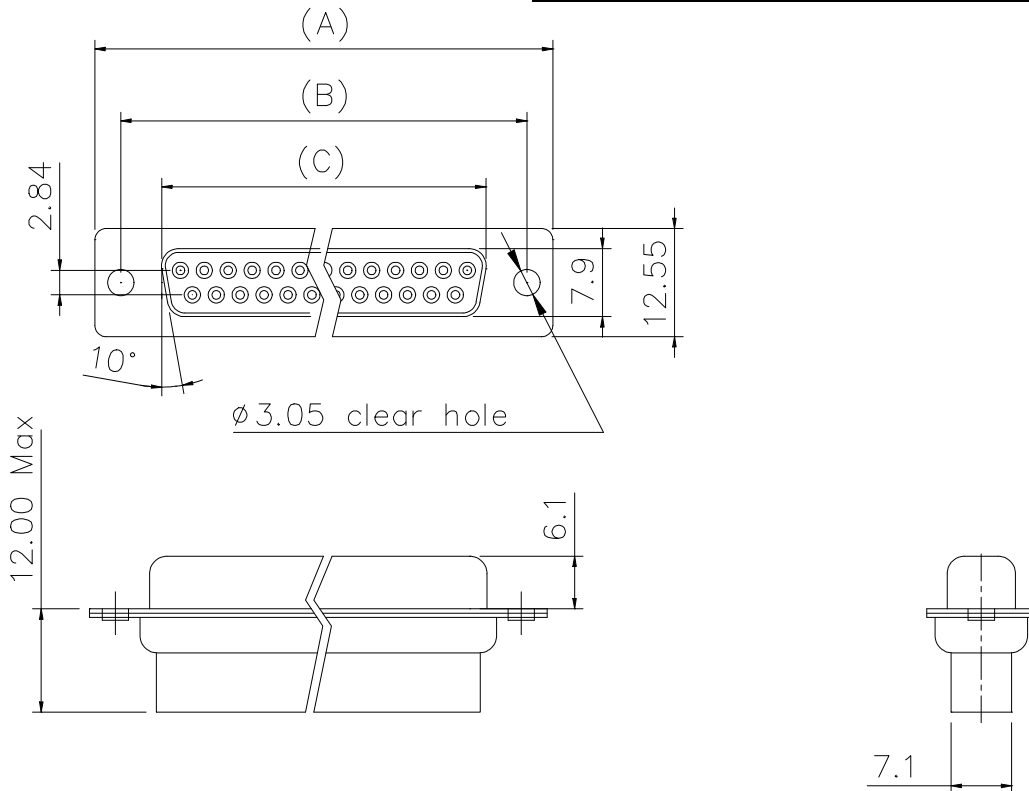
- Contact Resistance : 20 m Ω Max
- Insulator Resistance : 1000 M Ω Min at 500V DC
- Current Rating: 3A
- Dielectric Withstanding Voltage : 1000V AC for 1 minute
- Operating Temperature : -55 $^{\circ}$ c to +105 $^{\circ}$ c

Materials :

- Housing : Glass-filled thermoplastic, UL94V-0
- Shell : Steel, Tin plated

Dimensions :

Nb of Contacts	A	B	C
9	30,89	24,99	16,33
15	39,10	33,32	24,66
25	53,09	47,04	38,38
37	69,40	63,50	54,84

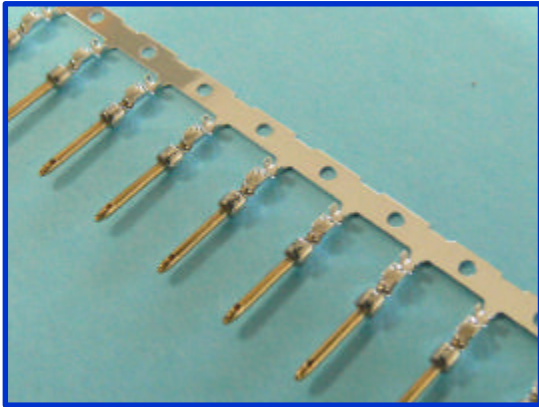


Part Numbers :

Nb of Contacts	Part Number
9	L177RRE09S
15	L177RRA15S
25	L177RRB25S
37	L177RRC37S



Male Crimp Contact



Specifications :

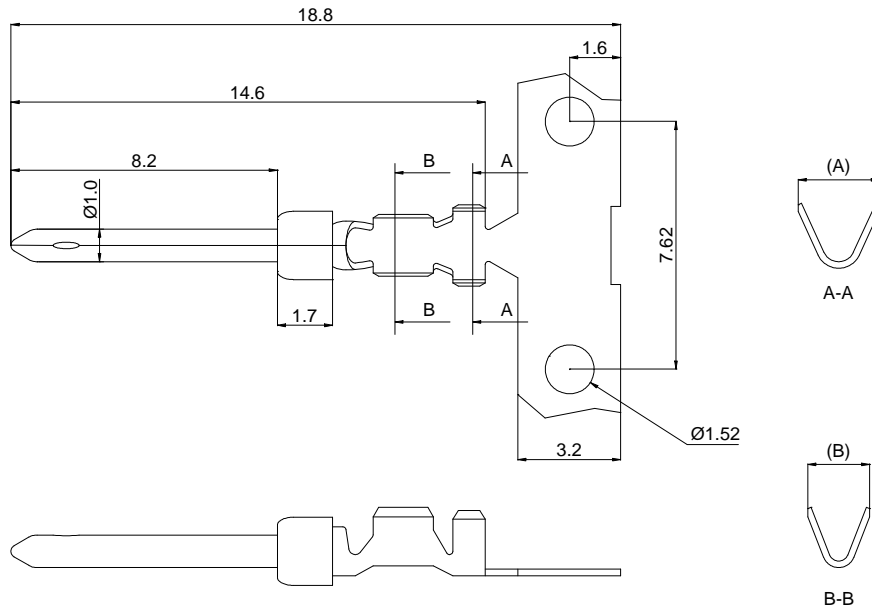
Wire gage : AWG 20-24 & 24-28, solid or stranded wires

Material :

Brass

Dimensions :

Wire Gage	A	B
20-24	2,5	1,9
24-28	1,7	1,5

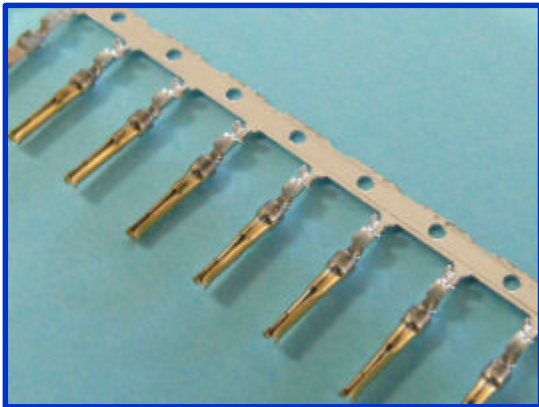


Part Numbers :

Wire gage	Packaging	Plating	Performance Level 3 (flash Gold)	Performance Level 2 (0,38 μm Gold)	Performance Level 1 (0,76 μm Gold)
20-24	100 cts Bulk	Full Gold	L17RRD1M01100	L17RRD1M02100	L17RRD1M04100
		Selective	L17RRD1M11100	L17RRD1M12100	L17RRD1M14100
	reel of 400 cts	Full Gold	L17RRD1M01400	L17RRD1M02400	L17RRD1M04400
		Selective	L17RRD1M11400	L17RRD1M12400	L17RRD1M14400
	reel of 2000 cts	Full Gold	L17RRD1M012K	L17RRD1M022K	L17RRD1M042K
		Selective	L17RRD1M112K	L17RRD1M122K	L17RRD1M142K
	reel of 10000 cts	Full Gold	L17RRD1M0110K	L17RRD1M0210K	L17RRD1M0410K
		Selective	L17RRD1M1110K	L17RRD1M1210K	L17RRD1M1410K
24-28	100 cts Bulk	Full Gold	L17RRD2M01100	L17RRD2M02100	L17RRD2M04100
		Selective	L17RRD2M11100	L17RRD2M12100	L17RRD2M14100
	reel of 400 cts	Full Gold	L17RRD2M01400	L17RRD2M02400	L17RRD2M04400
		Selective	L17RRD2M11400	L17RRD2M12400	L17RRD2M14400
	reel of 2000 cts	Full Gold	L17RRD2M012K	L17RRD2M022K	L17RRD2M042K
		Selective	L17RRD2M112K	L17RRD2M122K	L17RRD2M142K
	reel of 10000 cts	Full Gold	L17RRD2M0110K	L17RRD2M0210K	L17RRD2M0410K
		Selective	L17RRD2M1110K	L17RRD2M1210K	L17RRD2M1410K

Performance levels as per DIN 41 652/IEC 807-3

Female Crimp Contact



Specifications :

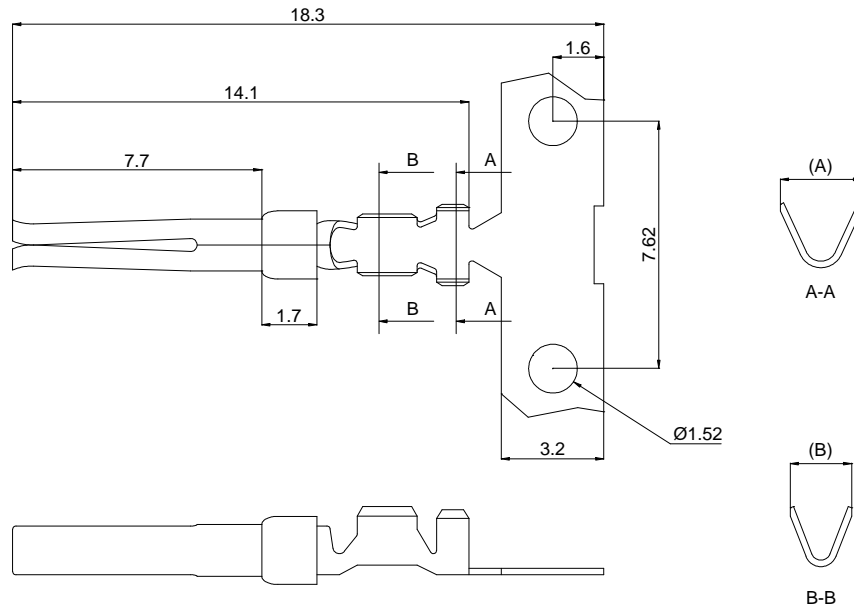
Wire gage : AWG 24-28, solid or stranded wires

Material :

Bronze

Dimensions :

Wire Gage	A	B
20-24	2,5	1,9
24-28	1,7	1,5

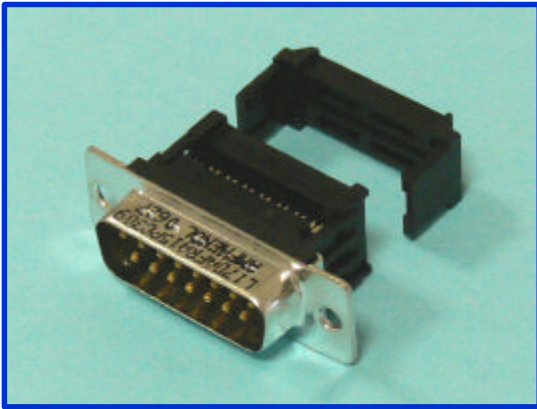


Part Numbers :

Wire gage	Packaging	Plating	Performance Level 3 (flash Gold)	Performance Level 2 (0,38 µm Gold)	Performance Level 1 (0,76 µm Gold)
20-24	100 cts Bulk	Full Gold	L17RRD1F01100	L17RRD1F02100	L17RRD1F04100
		Selective	L17RRD1F11100	L17RRD1F12100	L17RRD1F14100
	reel of 400 cts	Full Gold	L17RRD1F01400	L17RRD1F02400	L17RRD1F04400
		Selective	L17RRD1F11400	L17RRD1F12400	L17RRD1F14400
	reel of 2000 cts	Full Gold	L17RRD1F012K	L17RRD1F022K	L17RRD1F042K
		Selective	L17RRD1F112K	L17RRD1F122K	L17RRD1F142K
	reel of 10000 cts	Full Gold	L17RRD1F0110K	L17RRD1F0210K	L17RRD1F0410K
		Selective	L17RRD1F1110K	L17RRD1F1210K	L17RRD1F1410K
24-28	100 cts Bulk	Full Gold	L17RRD2F01100	L17RRD2F02100	L17RRD2F04100
		Selective	L17RRD2F11100	L17RRD2F12100	L17RRD2F14100
	reel of 400 cts	Full Gold	L17RRD2F01400	L17RRD2F02400	L17RRD2F04400
		Selective	L17RRD2F11400	L17RRD2F12400	L17RRD2F14400
	reel of 2000 cts	Full Gold	L17RRD2F012K	L17RRD2F022K	L17RRD2F042K
		Selective	L17RRD2F112K	L17RRD2F122K	L17RRD2F142K
	reel of 10000 cts	Full Gold	L17RRD2F0110K	L17RRD2F0210K	L17RRD2F0410K
		Selective	L17RRD2F1110K	L17RRD2F1210K	L17RRD2F1410K

Performance levels as per DIN 41 652/IEC 807-3

Plug Flat Ribbon IDC



Specifications :

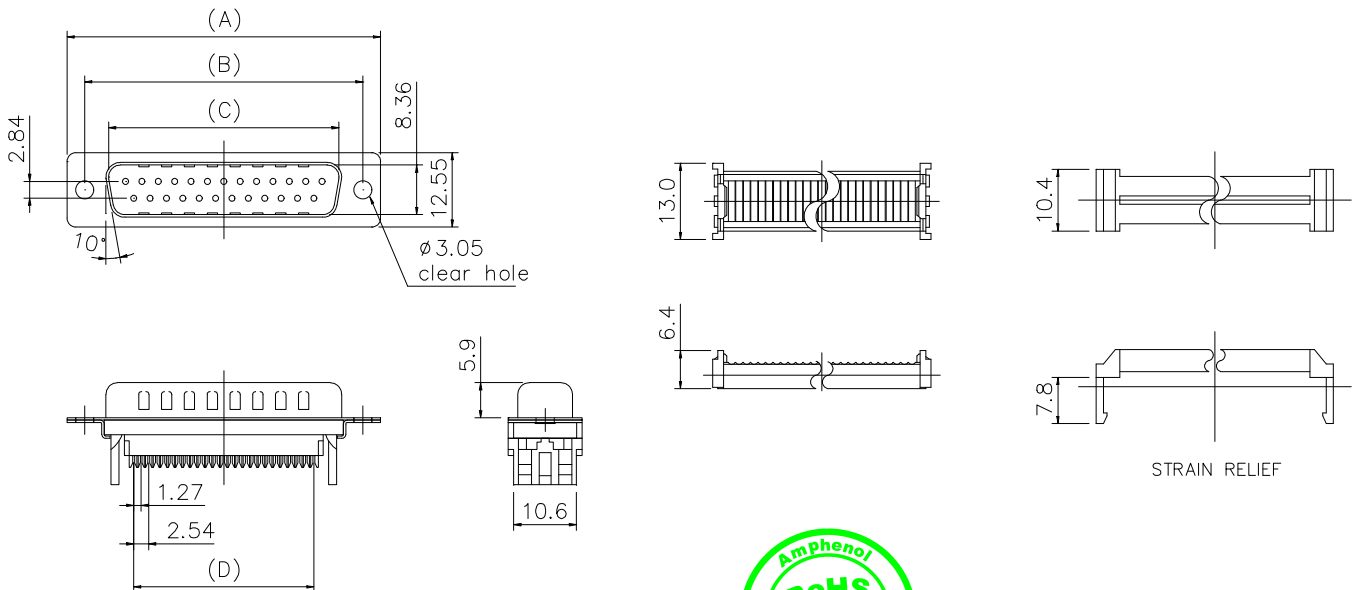
- Contact Resistance : 20 m Ω Max
- Insulator Resistance : 1000 M Ω Min at 500V DC
- Current Rating: 5A
- Dielectric Withstanding Voltage : 1000V AC for 1 minute
- Operating Temperature : -55 $^{\circ}$ c to +105 $^{\circ}$ c

Materials :

- Contact : Brass
- Housing : Glass-filled thermoplastic, UL94V-0
- Shell : Steel, Tin plated

Dimensions :

Nb of Contacts	A	B	C	D
9	30,89	24,99	16,92	10,16
15	39,10	33,32	25,25	17,78
25	53,09	47,04	38,96	30,48
37	69,40	63,50	55,42	45,72

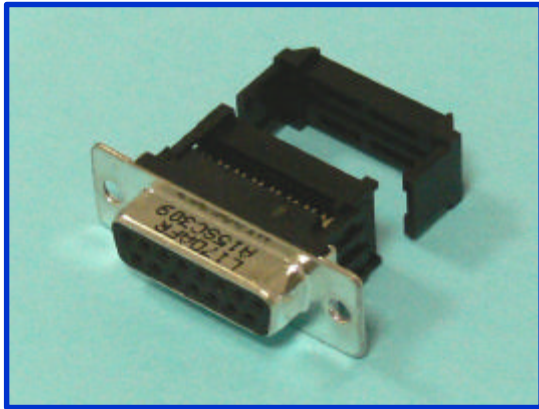


Part Numbers :

Nb of Contacts	Performance Level 3 (flash Gold)	Performance Level 2 (0,38 μ m Gold)	Performance Level 1 (0,76 μ m Gold)
9	L17DEFRA09P	L117DEFRA09P	L17DEFRA09PC309
15	L17DAFRA15P	L117DAFRA15P	L17DAFRA15PC309
25	L17DBFRA25P	L117DBFRA25P	L17DBFRA25PC309
37	L17DCFRA37P	L117DCFRA37P	L17DCFRA37PC309

Performance levels as per DIN 41 652/IEC 807-3

Receptacle Flat Ribbon IDC



Specifications :

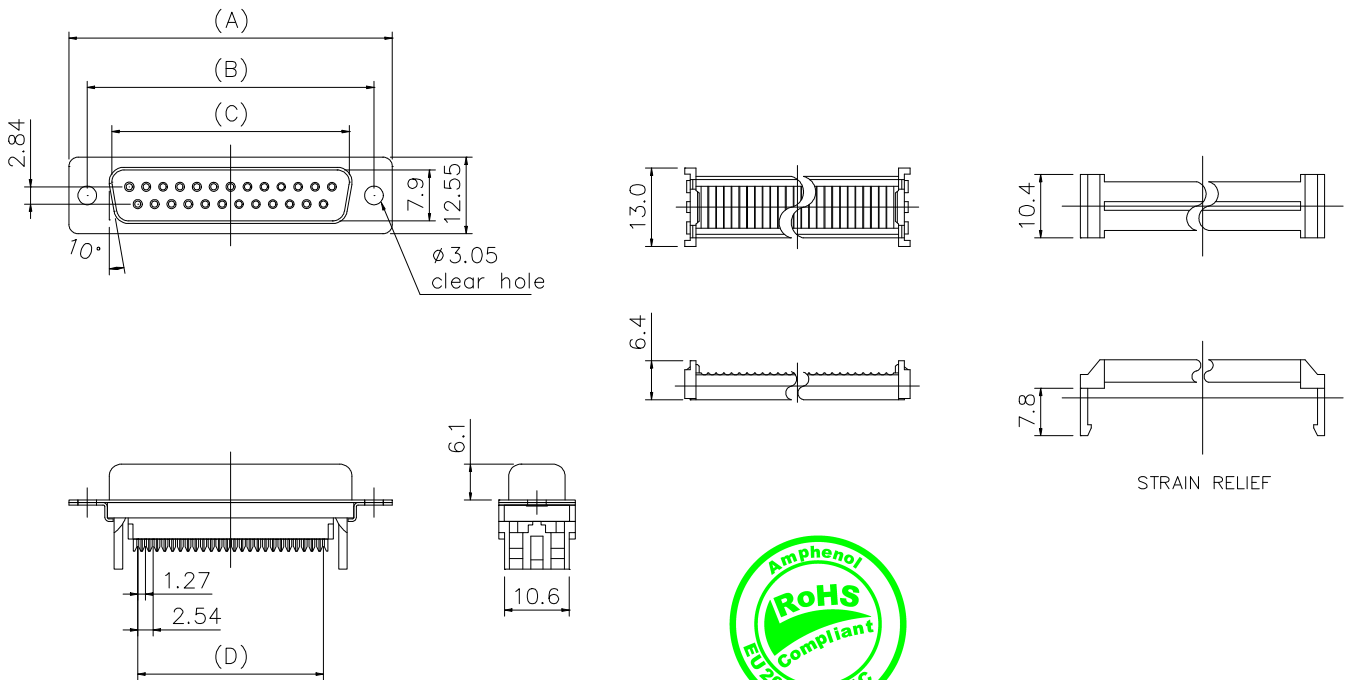
- Contact Resistance : 20 m Ω Max
- Insulator Resistance : 1000 M Ω Min at 500V DC
- Current Rating: 5A
- Dielectric Withstanding Voltage : 1000V AC for 1 minute
- Operating Temperature : -55 $^{\circ}$ c to +105 $^{\circ}$ c

Materials :

- Contact : Bronze
- Housing : Glass-filled thermoplastic, UL94V-0
- Shell : Steel, Tin plated

Dimensions :

Nb of Contacts	A	B	C	D
9	30,89	24,99	16,33	10,16
15	39,10	33,32	24,66	17,78
25	53,09	47,04	38,38	30,48
37	69,40	63,50	54,84	45,72

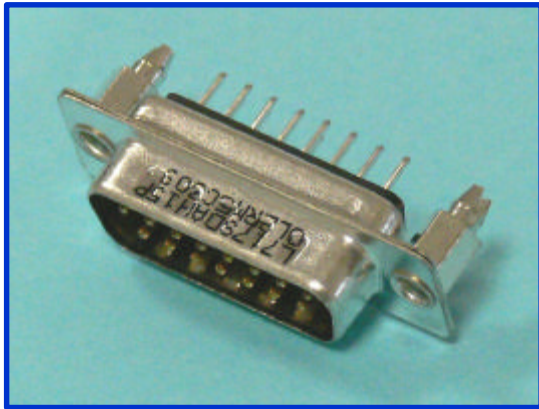


Part Numbers :

Nb of Contacts	Performance Level 3 (flash Gold)	Performance Level 2 (0,38 μ m Gold)	Performance Level 1 (0,76 μ m Gold)
9	L17DEFRA09S	L117DEFRA09S	L17DEFRA09SC309
15	L17DAFRA15S	L117DAFRA15S	L17DAFRA15SC309
25	L17DBFRA25S	L117DBFRA25S	L17DBFRA25SC309
37	L17DCFRA37S	L117DCFRA37S	L17DCFRA37SC309

Performance levels as per DIN 41 652/IEC 807-3

Plug Straight PCB – Rear Inserts

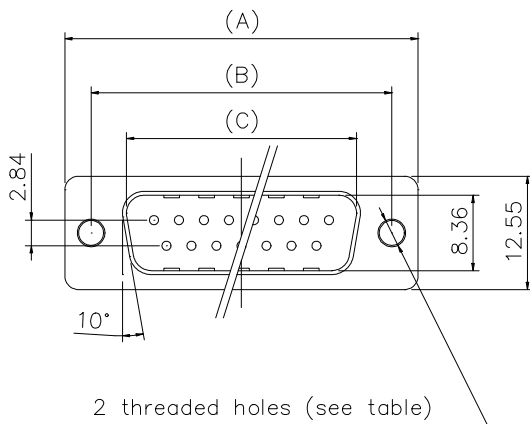


Specifications :

- Contact Resistance : 20 m Ω Max
- Insulator Resistance : 1000 M Ω Min at 500V DC
- Current Rating: 5A
- Dielectric Withstanding Voltage : 1000V AC for 1 minute
- Operating Temperature : -55 $^{\circ}$ C to +105 $^{\circ}$ C

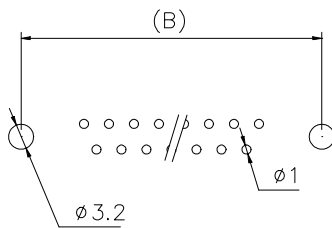
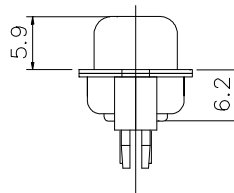
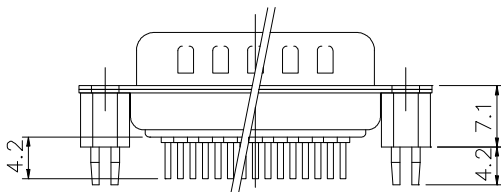
Materials :

- Contact : Brass
- Housing : Glass-filled thermoplastic, UL94V-0
- Shell : Steel, Tin plated



Dimensions :

Nb of Contacts	A	B	C
9	30,89	24,99	16,92
15	39,10	33,32	25,25
25	53,09	47,04	38,96
37	69,40	63,50	55,42

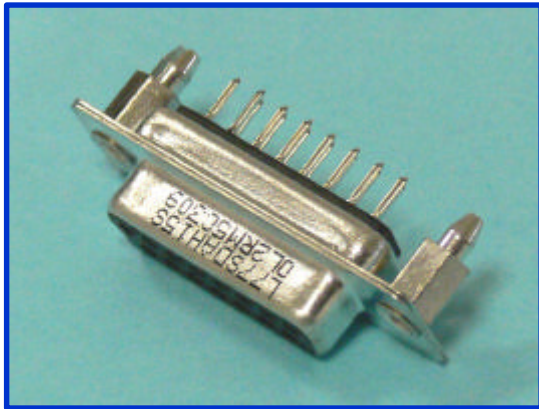


Part Numbers :

Nb of Contacts	Threaded holes	Performance Level 3 (flash Gold)	Performance Level 2 (0,38 μ m Gold)	Performance Level 1 (0,76 μ m Gold)
9	UNC #4-40	L717SDEH09POL2RM5	L777SDEH09POL2RM5	L717SDEH09POL2RM5C309
	M3	L717SDEG09POL2RM5	L777SDEG09POL2RM5	L717SDEG09POL2RM5C309
15	UNC #4-40	L717SDAH15POL2RM5	L777SDAH15POL2RM5	L717SDAH15POL2RM5C309
	M3	L717SDAG15POL2RM5	L777SDAG15POL2RM5	L717SDAG15POL2RM5C309
25	UNC #4-40	L717SDBH25POL2RM5	L777SDBH25POL2RM5	L717SDBH25POL2RM5C309
	M3	L717SDBG25POL2RM5	L777SDBG25POL2RM5	L717SDBG25POL2RM5C309
37	UNC #4-40	L717SDCH37POL2RM5	L777SDCH37POL2RM5	L717SDCH37POL2RM5C309
	M3	L717SDCG37POL2RM5	L777SDCG37POL2RM5	L717SDCG37POL2RM5C309

Performance levels as per DIN 41 652/IEC 807-3

Receptacle Straight PCB – Rear Inserts

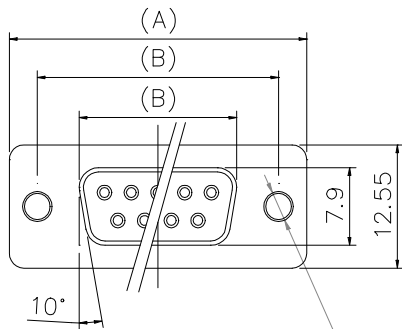


Specifications :

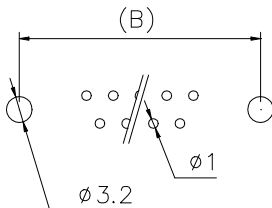
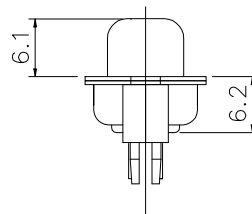
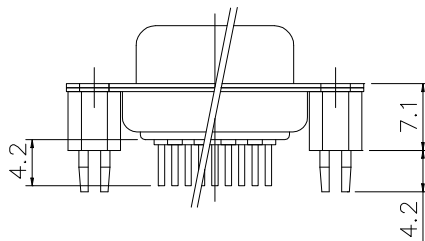
- Contact Resistance : 20 m Ω Max
- Insulator Resistance : 1000 M Ω Min at 500V DC
- Current Rating: 5A
- Dielectric Withstanding Voltage : 1000V AC for 1 minute
- Operating Temperature : -55 $^{\circ}$ C to +105 $^{\circ}$ C

Materials :

- Contact : Bronze
- Housing : Glass-filled thermoplastic, UL94V-0
- Shell : Steel, Tin plated



2 threaded holes (see table)



Dimensions :

Nb of Contacts	A	B	C
9	30,89	24,99	16,33
15	39,10	33,32	24,66
25	53,09	47,04	38,38
37	69,40	63,50	54,84

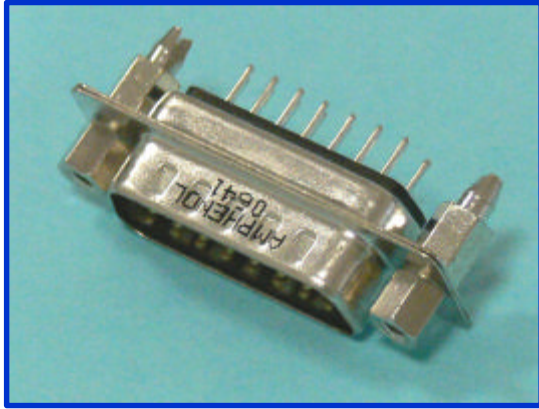


Part Numbers :

Nb of Contacts	Threaded holes	Performance Level 3 (flash Gold)	Performance Level 2 (0,38 μ m Gold)	Performance Level 1 (0,76 μ m Gold)
9	UNC #4-40	L77SDEH09SOL2RM5	L177SDEH09SOL2RM5	L77SDEH09SOL2RM5C309
	M3	L77SDEG09SOL2RM5	L177SDEG09SOL2RM5	L77SDEG09SOL2RM5C309
15	UNC #4-40	L77SDAH15SOL2RM5	L177SDAH15SOL2RM5	L77SDAH15SOL2RM5C309
	M3	L77SDAG15SOL2RM5	L177SDAG15SOL2RM5	L77SDAG15SOL2RM5C309
25	UNC #4-40	L77SDBH25SOL2RM5	L177SDBH25SOL2RM5	L77SDBH25SOL2RM5C309
	M3	L77SDBG25SOL2RM5	L177SDBG25SOL2RM5	L77SDBG25SOL2RM5C309
37	UNC #4-40	L77SDCH37SOL2RM5	L177SDCH37SOL2RM5	L77SDCH37SOL2RM5C309
	M3	L77SDCG37SOL2RM5	L177SDCG37SOL2RM5	L77SDCG37SOL2RM5C309

Performance levels as per DIN 41 652/IEC 807-3

Plug Straight PCB – Front Screwlocks

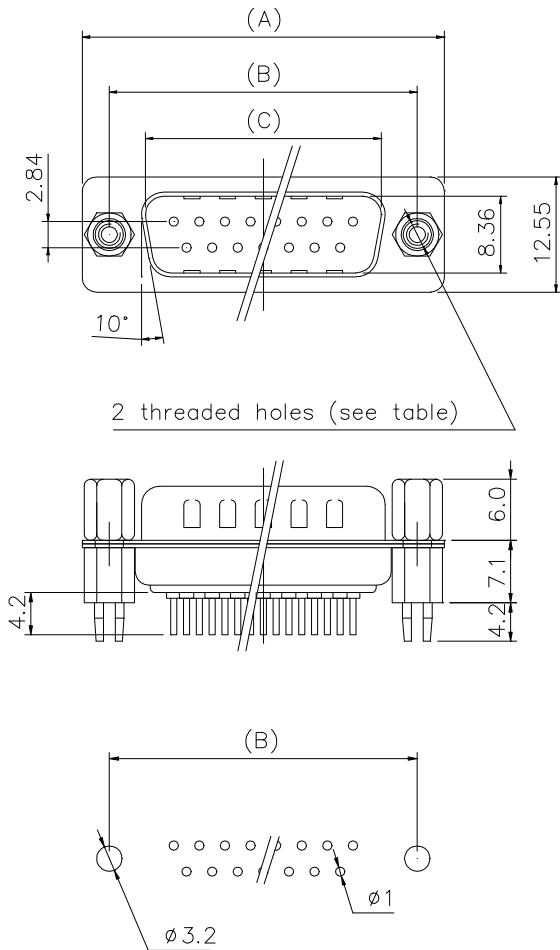


Specifications :

- Contact Resistance : 20 m Ω Max
- Insulator Resistance : 1000 M Ω Min at 500V DC
- Current Rating: 5A
- Dielectric Withstanding Voltage : 1000V AC for 1 minute
- Operating Temperature : -55 $^{\circ}$ c to +105 $^{\circ}$ c

Materials :

- Contact : Brass
- Housing : Glass-filled thermoplastic, UL94V-0
- Shell : Steel, Tin plated



Dimensions :

Nb of Contacts	A	B	C
9	30,89	24,99	16,92
15	39,10	33,32	25,25
25	53,09	47,04	38,96
37	69,40	63,50	55,42

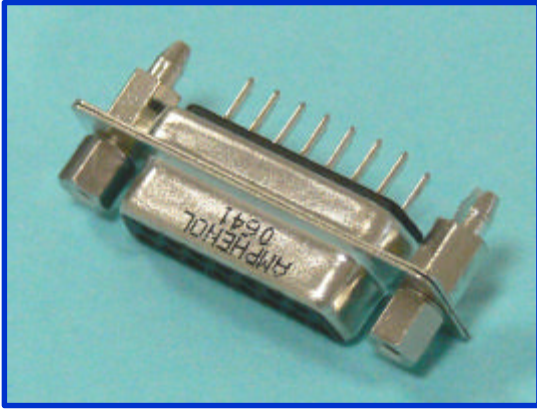


Part Numbers :

Nb of Contacts	Threaded holes	Performance Level 3 (flash Gold)	Performance Level 2 (0,38 μ m Gold)	Performance Level 1 (0,76 μ m Gold)
9	UNC #4-40	L717SDEH09POL2RM8	L777SDEH09POL2RM8	L717SDEH09POL2RM8C309
	M3	L717SDEG09POL2RM8	L777SDEG09POL2RM8	L717SDEG09POL2RM8C309
15	UNC #4-40	L717SDAH15POL2RM8	L777SDAH15POL2RM8	L717SDAH15POL2RM8C309
	M3	L717SDAG15POL2RM8	L777SDAG15POL2RM8	L717SDAG15POL2RM8C309
25	UNC #4-40	L717SDBH25POL2RM8	L777SDBH25POL2RM8	L717SDBH25POL2RM8C309
	M3	L717SDBG25POL2RM8	L777SDBG25POL2RM8	L717SDBG25POL2RM8C309
37	UNC #4-40	L717SDCH37POL2RM8	L777SDCH37POL2RM8	L717SDCH37POL2RM8C309
	M3	L717SDCG37POL2RM8	L777SDCG37POL2RM8	L717SDCG37POL2RM8C309

Performance levels as per DIN 41 652/IEC 807-3

Receptacle Straight PCB – Front Screwlocks

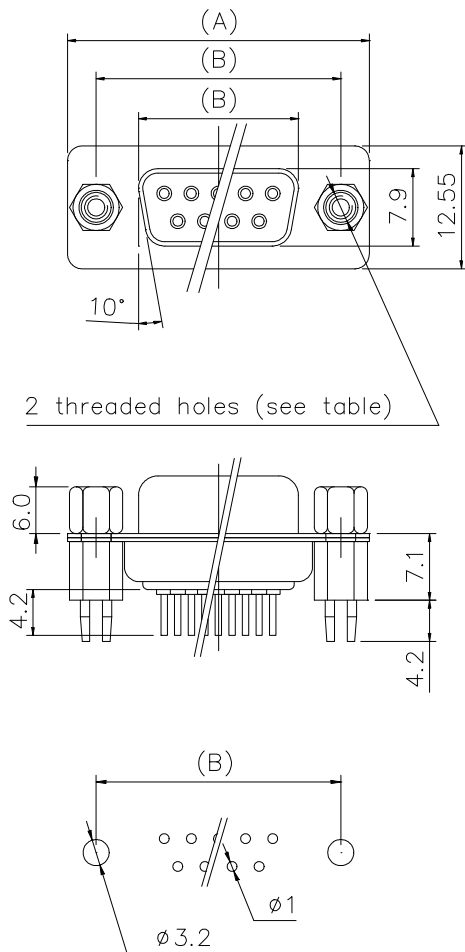


Specifications :

- Contact Resistance : 20 m Ω Max
- Insulator Resistance : 1000 M Ω Min at 500V DC
- Current Rating: 5A
- Dielectric Withstanding Voltage : 1000V AC for 1 minute
- Operating Temperature : -55 $^{\circ}$ c to +105 $^{\circ}$ c

Materials :

- Contact : Bronze
- Housing : Glass-filled thermoplastic, UL94V-0
- Shell : Steel, Tin plated



Dimensions :

Nb of Contacts	A	B	C
9	30,89	24,99	16,33
15	39,10	33,32	24,66
25	53,09	47,04	38,38
37	69,40	63,50	54,84

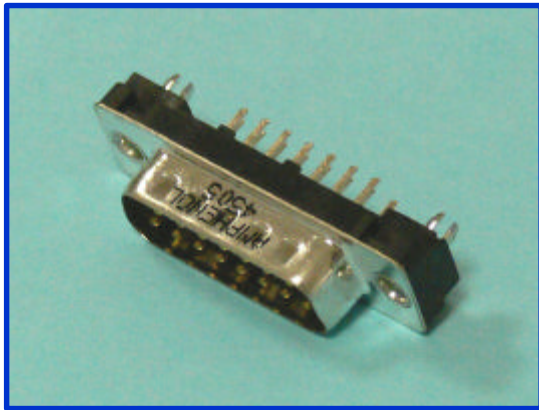


Part Numbers :

Nb of Contacts	Threaded holes	Performance Level 3 (flash Gold)	Performance Level 2 (0,38 μ m Gold)	Performance Level 1 (0,76 μ m Gold)
9	UNC #4-40	L77SDEH09SOL2RM8	L177SDEH09SOL2RM8	L77SDEH09SOL2RM8C309
	M3	L77SDEG09SOL2RM8	L177SDEG09SOL2RM8	L77SDEG09SOL2RM8C309
15	UNC #4-40	L77SDAH15SOL2RM8	L177SDAH15SOL2RM8	L77SDAH15SOL2RM8C309
	M3	L77SDAG15SOL2RM8	L177SDAG15SOL2RM8	L77SDAG15SOL2RM8C309
25	UNC #4-40	L77SDBH25SOL2RM8	L177SDBH25SOL2RM8	L77SDBH25SOL2RM8C309
	M3	L77SDBG25SOL2RM8	L177SDBG25SOL2RM8	L77SDBG25SOL2RM8C309
37	UNC #4-40	L77SDCH37SOL2RM8	L177SDCH37SOL2RM8	L77SDCH37SOL2RM8C309
	M3	L77SDCG37SOL2RM8	L177SDCG37SOL2RM8	L77SDCG37SOL2RM8C309

Performance levels as per DIN 41 652/IEC 807-3

Plug Straight PCB Low Profile – Rear Inserts

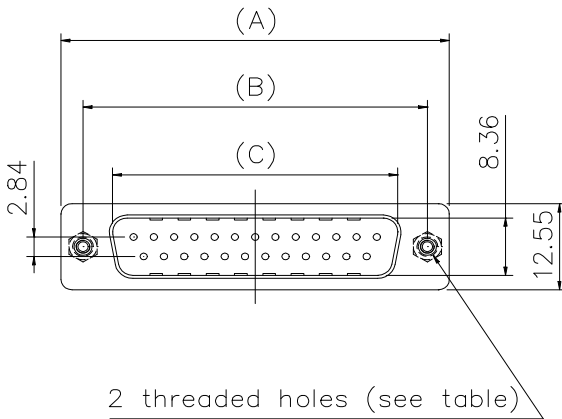


Specifications :

- Contact Resistance : 20 m Ω Max
- Insulator Resistance : 1000 M Ω Min at 500V DC
- Current Rating: 5A
- Dielectric Withstanding Voltage : 1000V AC for 1 minute
- Operating Temperature : -55 $^{\circ}$ c to +105 $^{\circ}$ c

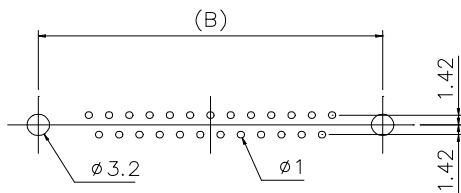
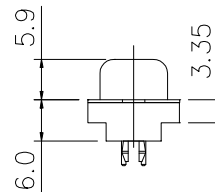
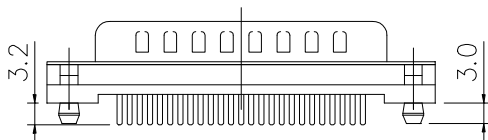
Materials :

- Contact : Brass
- Housing : Glass-filled thermoplastic, UL94V-0
- Shell : Steel, Tin plated



Dimensions :

Nb of Contacts	A	B	C
9	30,89	24,99	16,92
15	39,10	33,32	25,25
25	53,09	47,04	38,96
37	69,40	63,50	55,42



Part Numbers :

Nb of Contacts	Threaded holes	Performance Level 3 (flash Gold)	Performance Level 2 (0,38 μ m Gold)	Performance Level 1 (0,76 μ m Gold)
9	UNC #4-40	L717TSEH09POL2RM5	L777TSEH09POL2RM5	L717TSEH09POL2RM5C309
	M3	L717TSEG09POL2RM5	L777TSEG09POL2RM5	L717TSEG09POL2RM5C309
15	UNC #4-40	L717TSAH15POL2RM5	L777TSAH15POL2RM5	L717TSAH15POL2RM5C309
	M3	L717TSAG15POL2RM5	L777TSAG15POL2RM5	L717TSAG15POL2RM5C309
25	UNC #4-40	L717TSBH25POL2RM5	L777TSBH25POL2RM5	L717TSBH25POL2RM5C309
	M3	L717TSBG25POL2RM5	L777TSBG25POL2RM5	L717TSBG25POL2RM5C309
37	UNC #4-40	L717TSCH37POL2RM5	L777TSCH37POL2RM5	L717TSCH37POL2RM5C309
	M3	L717TSCG37POL2RM5	L777TSCG37POL2RM5	L717TSCG37POL2RM5C309

Performance levels as per DIN 41 652/IEC 807-3

Receptacle Straight PCB Low Profile – Rear Inserts

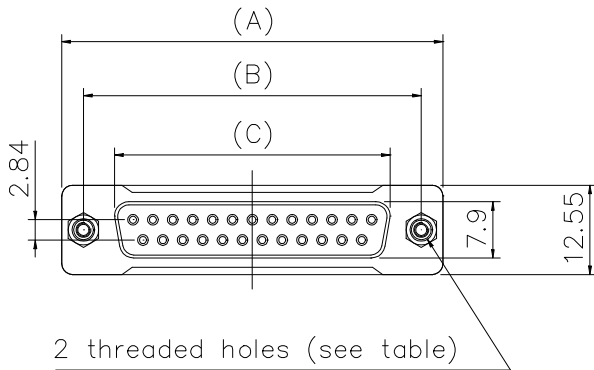


Specifications :

- Contact Resistance : 20 m Ω Max
- Insulator Resistance : 1000 M Ω Min at 500V DC
- Current Rating: 5A
- Dielectric Withstanding Voltage : 1000V AC for 1 minute
- Operating Temperature : -55 $^{\circ}$ c to +105 $^{\circ}$ c

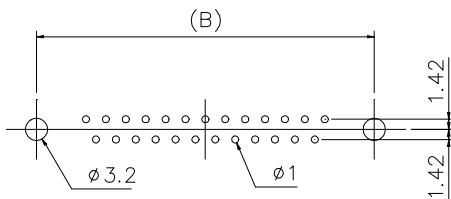
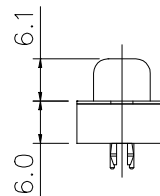
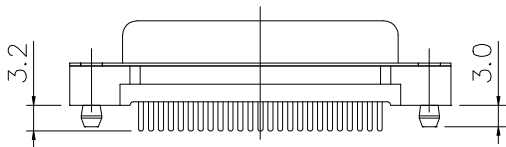
Materials :

- Contact : Bronze
- Housing : Glass-filled thermoplastic, UL94V-0
- Shell : Steel, Tin plated



Dimensions :

Nb of Contacts	A	B	C
9	30,89	24,99	16,33
15	39,10	33,32	24,66
25	53,09	47,04	38,38
37	69,40	63,50	54,84

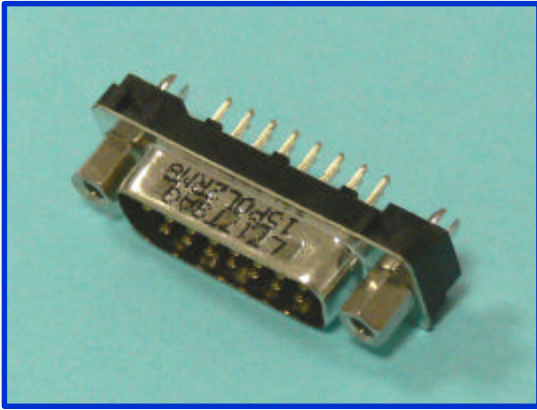


Part Numbers :

Nb of Contacts	Threaded holes	Performance Level 3 (flash Gold)	Performance Level 2 (0,38 μ m Gold)	Performance Level 1 (0,76 μ m Gold)
9	UNC #4-40	L77TSEH09SOL2RM5	L177TSEH09SOL2RM5	L77TSEH09SOL2RM5C309
	M3	L77TSEG09SOL2RM5	L177TSEG09SOL2RM5	L77TSEG09SOL2RM5C309
15	UNC #4-40	L77TSAH15SOL2RM5	L177TSAH15SOL2RM5	L77TSAH15SOL2RM5C309
	M3	L77TSAG15SOL2RM5	L177TSAG15SOL2RM5	L77TSAG15SOL2RM5C309
25	UNC #4-40	L77TSBH25SOL2RM5	L177TSBH25SOL2RM5	L77TSBH25SOL2RM5C309
	M3	L77TSBG25SOL2RM5	L177TSBG25SOL2RM5	L77TSBG25SOL2RM5C309
37	UNC #4-40	L77TSCH37SOL2RM5	L177TSCH37SOL2RM5	L77TSCH37SOL2RM5C309
	M3	L77TSCG37SOL2RM5	L177TSCG37SOL2RM5	L77TSCG37SOL2RM5C309

Performance levels as per DIN 41 652/IEC 807-3

Plug Straight PCB Low Profile – Front Screwlocks

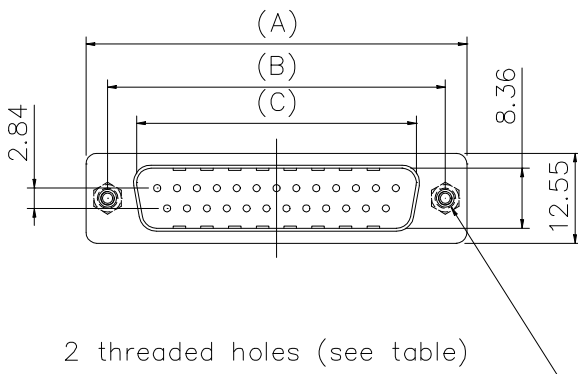


Specifications :

- Contact Resistance : 20 m Ω Max
- Insulator Resistance : 1000 M Ω Min at 500V DC
- Current Rating: 5A
- Dielectric Withstanding Voltage : 1000V AC for 1 minute
- Operating Temperature : -55 $^{\circ}$ c to +105 $^{\circ}$ c

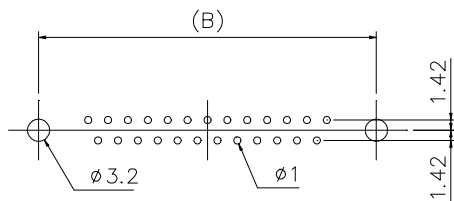
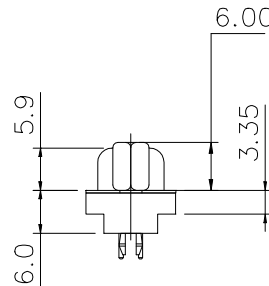
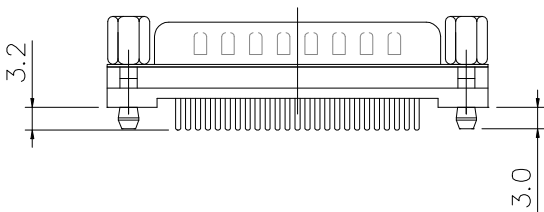
Materials :

- Contact : Brass
- Housing : Glass-filled thermoplastic, UL94V-0
- Shell : Steel, Tin plated



Dimensions :

Nb of Contacts	A	B	C
9	30,89	24,99	16,92
15	39,10	33,32	25,25
25	53,09	47,04	38,96
37	69,40	63,50	55,42

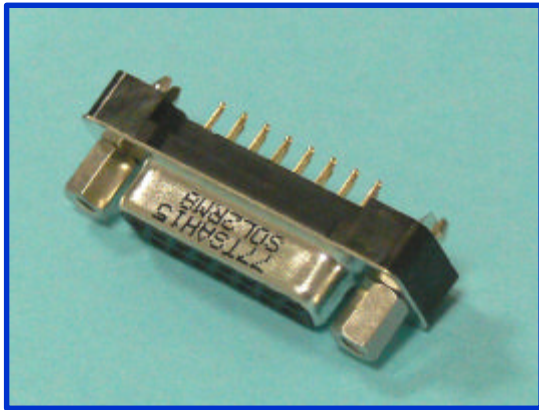


Part Numbers :

Nb of Contacts	Threaded holes	Performance Level 3 (flash Gold)	Performance Level 2 (0,38 μ m Gold)	Performance Level 1 (0,76 μ m Gold)
9	UNC #4-40	L717TSEH09POL2RM8	L777TSEH09POL2RM8	L717TSEH09POL2RM8C309
	M3	L717TSEG09POL2RM8	L777TSEG09POL2RM8	L717TSEG09POL2RM8C309
15	UNC #4-40	L717TSAH15POL2RM8	L777TSAH15POL2RM8	L717TSAH15POL2RM8C309
	M3	L717TSAG15POL2RM8	L777TSAG15POL2RM8	L717TSAG15POL2RM8C309
25	UNC #4-40	L717TSBH25POL2RM8	L777TSBH25POL2RM8	L717TSBH25POL2RM8C309
	M3	L717TSBG25POL2RM8	L777TSBG25POL2RM8	L717TSBG25POL2RM8C309
37	UNC #4-40	L717TSCH37POL2RM8	L777TSCH37POL2RM8	L717TSCH37POL2RM8C309
	M3	L717TSCG37POL2RM8	L777TSCG37POL2RM8	L717TSCG37POL2RM8C309

Performance levels as per DIN 41 652/IEC 807-3

Receptacle Straight PCB Low Profile – Front Screwlocks

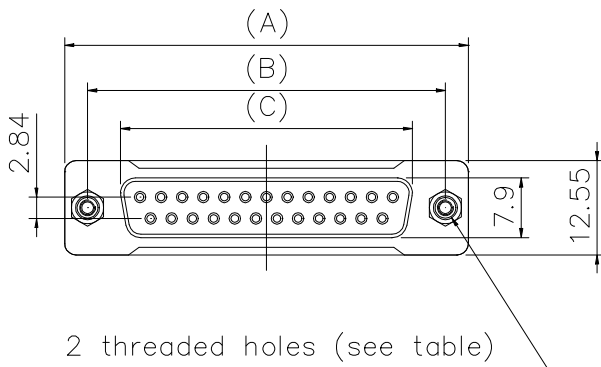


Specifications :

- Contact Resistance : 20 m Ω Max
- Insulator Resistance : 1000 M Ω Min at 500V DC
- Current Rating: 5A
- Dielectric Withstanding Voltage : 1000V AC for 1 minute
- Operating Temperature : -55 $^{\circ}$ c to +105 $^{\circ}$ c

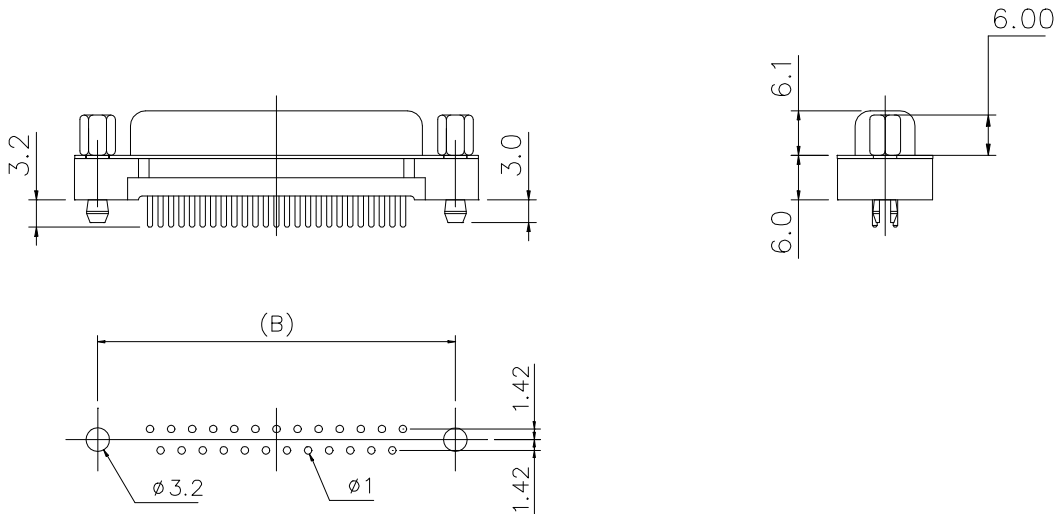
Materials :

- Contact : Bronze
- Housing : Glass-filled thermoplastic, UL94V-0
- Shell : Steel, Tin plated



Dimensions :

Nb of Contacts	A	B	C
9	30,89	24,99	16,33
15	39,10	33,32	24,66
25	53,09	47,04	38,38
37	69,40	63,50	54,84

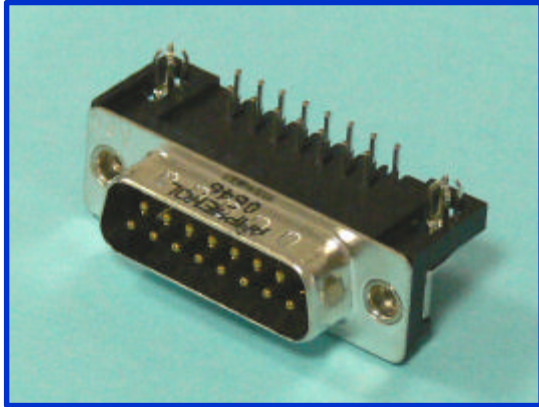


Part Numbers :

Nb of Contacts	Threaded holes	Performance Level 3 (flash Gold)	Performance Level 2 (0,38 μ m Gold)	Performance Level 1 (0,76 μ m Gold)
9	UNC #4-40	L77TSEH09SOL2RM8	L177TSEH09SOL2RM8	L77TSEH09SOL2RM8C309
	M3	L77TSEG09SOL2RM8	L177TSEG09SOL2RM8	L77TSEG09SOL2RM8C309
15	UNC #4-40	L77TSAH15SOL2RM8	L177TSAH15SOL2RM8	L77TSAH15SOL2RM8C309
	M3	L77TSAG15SOL2RM8	L177TSAG15SOL2RM8	L77TSAG15SOL2RM8C309
25	UNC #4-40	L77TSBH25SOL2RM8	L177TSBH25SOL2RM8	L77TSBH25SOL2RM8C309
	M3	L77TSBG25SOL2RM8	L177TSBG25SOL2RM8	L77TSBG25SOL2RM8C309
37	UNC #4-40	L77TSCH37SOL2RM8	L177TSCH37SOL2RM8	L77TSCH37SOL2RM8C309
	M3	L77TSCG37SOL2RM8	L177TSCG37SOL2RM8	L77TSCG37SOL2RM8C309

Performance levels as per DIN 41 652/IEC 807-3

Plug Right Angle MIL Footprint – Rear Inserts

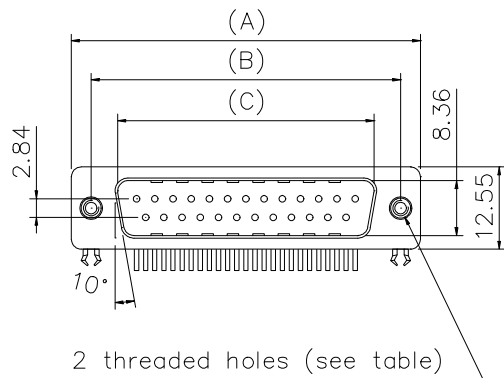


Specifications :

- Contact Resistance : 20 m Ω Max
- Insulator Resistance : 1000 M Ω Min at 500V DC
- Current Rating: 5A
- Dielectric Withstanding Voltage : 1000V AC for 1 minute
- Operating Temperature : -55 $^{\circ}$ c to +105 $^{\circ}$ c

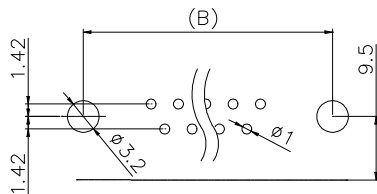
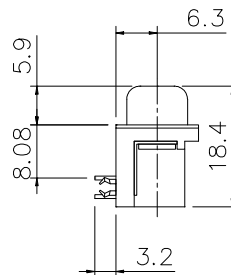
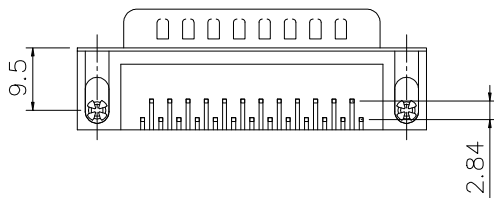
Materials :

- Contact : Brass
- Housing : Glass-filled thermoplastic, UL94V-0
- Shell : Steel, Tin plated



Dimensions :

Nb of Contacts	A	B	C
9	30,89	24,99	16,92
15	39,10	33,32	25,25
25	53,09	47,04	38,96
37	69,40	63,50	55,42

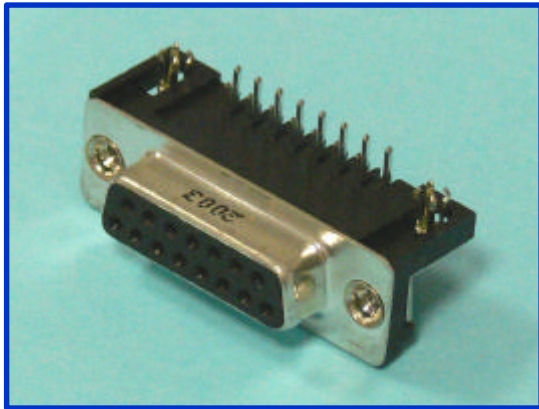


Part Numbers :

Nb of Contacts	Threaded holes	Performance Level 3 (flash Gold)	Performance Level 2 (0,38 μ m Gold)	Performance Level 1 (0,76 μ m Gold)
9	UNC #4-40	L717SDE09PA4CH4R	L777SDE09PA4CH4R	L717SDE09PA4CH4RC309
	M3	L717SDE09PA4CH3R	L777SDE09PA4CH3R	L717SDE09PA4CH3RC309
15	UNC #4-40	L717SDA15PA4CH4R	L777SDA15PA4CH4R	L717SDA15PA4CH4RC309
	M3	L717SDA15PA4CH3R	L777SDA15PA4CH3R	L717SDA15PA4CH3RC309
25	UNC #4-40	L717SDB25PA4CH4R	L777SDB25PA4CH4R	L717SDB25PA4CH4RC309
	M3	L717SDB25PA4CH3R	L777SDB25PA4CH3R	L717SDB25PA4CH3RC309
37	UNC #4-40	L717SDC37PA4CH4R	L777SDC37PA4CH4R	L717SDC37PA4CH4RC309
	M3	L717SDC37PA4CH3R	L777SDC37PA4CH3R	L717SDC37PA4CH3RC309

Performance levels as per DIN 41 652/IEC 807-3

Receptacle Right Angle MIL Footprint – Rear Inserts

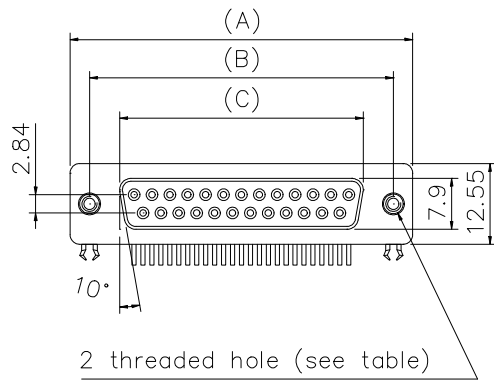


Specifications :

- Contact Resistance : 20 m Ω Max
- Insulator Resistance : 1000 M Ω Min at 500V DC
- Current Rating: 5A
- Dielectric Withstanding Voltage : 1000V AC for 1 minute
- Operating Temperature : -55 $^{\circ}$ c to +105 $^{\circ}$ c

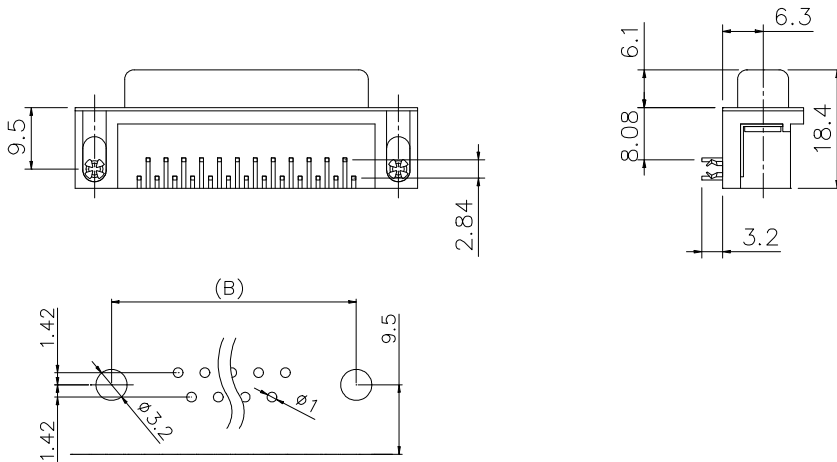
Materials :

- Contact : Bronze
- Housing : Glass-filled thermoplastic, UL94V-0
- Shell : Steel, Tin plated



Dimensions :

Nb of Contacts	A	B	C
9	30,89	24,99	16,33
15	39,10	33,32	24,66
25	53,09	47,04	38,38
37	69,40	63,50	54,84

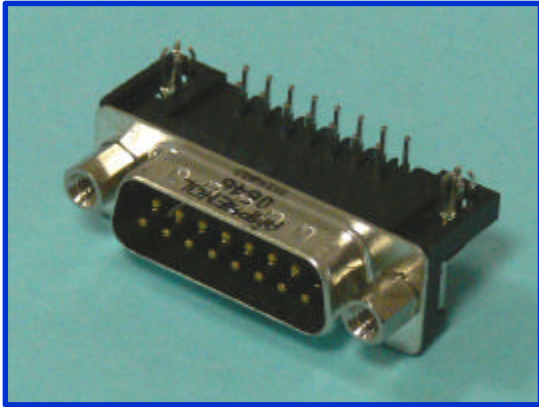


Part Numbers :

Nb of Contacts	Threaded holes	Performance Level 3 (flash Gold)	Performance Level 2 (0,38 μ m Gold)	Performance Level 1 (0,76 μ m Gold)
9	UNC #4-40	L77SDE09SA4CH4R	L177SDE09SA4CH4R	L77SDE09SA4CH4RC309
	M3	L77SDE09SA4CH3R	L177SDE09SA4CH3R	L77SDE09SA4CH3RC309
15	UNC #4-40	L77SDA15SA4CH4R	L177SDA15SA4CH4R	L77SDA15SA4CH4RC309
	M3	L77SDA15SA4CH3R	L177SDA15SA4CH3R	L77SDA15SA4CH3RC309
25	UNC #4-40	L77SDB25SA4CH4R	L177SDB25SA4CH4R	L77SDB25SA4CH4RC309
	M3	L77SDB25SA4CH3R	L177SDB25SA4CH3R	L77SDB25SA4CH3RC309
37	UNC #4-40	L77SDC37SA4CH4R	L177SDC37SA4CH4R	L77SDC37SA4CH4RC309
	M3	L77SDC37SA4CH3R	L177SDC37SA4CH3R	L77SDC37SA4CH3RC309

Performance levels as per DIN 41 652/IEC 807-3

Plug Right Angle MIL Footprint – Front Screwlocks

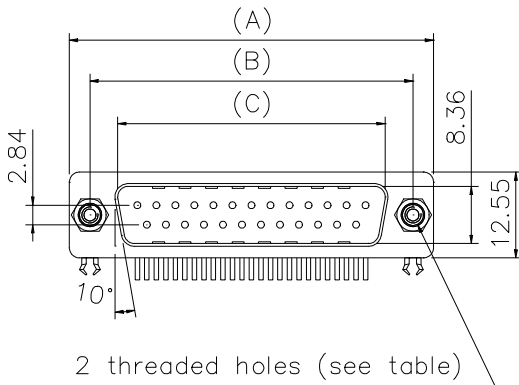


Specifications :

- Contact Resistance : 20 m Ω Max
- Insulator Resistance : 1000 M Ω Min at 500V DC
- Current Rating: 5A
- Dielectric Withstanding Voltage : 1000V AC for 1 minute
- Operating Temperature : -55 $^{\circ}$ c to +105 $^{\circ}$ c

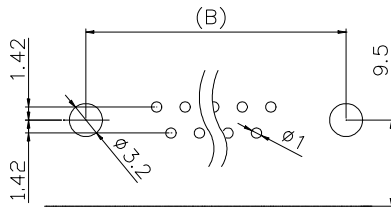
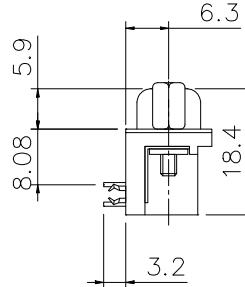
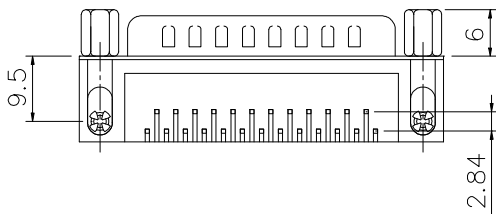
Materials :

- Contact : Brass
- Housing : Glass-filled thermoplastic, UL94V-0
- Shell : Steel, Tin plated



Dimensions :

Nb of Contacts	A	B	C
9	30,89	24,99	16,92
15	39,10	33,32	25,25
25	53,09	47,04	38,96
37	69,40	63,50	55,42

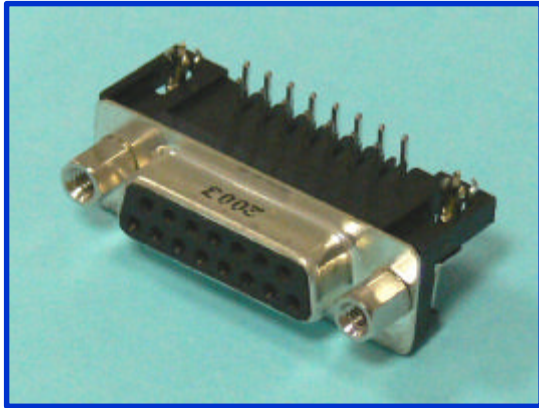


Part Numbers :

Nb of Contacts	Threaded holes	Performance Level 3 (flash Gold)	Performance Level 2 (0,38 μ m Gold)	Performance Level 1 (0,76 μ m Gold)
9	UNC #4-40	L717SDE09PA4CH4F	L777SDE09PA4CH4F	L717SDE09PA4CH4FC309
	M3	L717SDE09PA4CH3F	L777SDE09PA4CH3F	L717SDE09PA4CH3FC309
15	UNC #4-40	L717SDA15PA4CH4F	L777SDA15PA4CH4F	L717SDA15PA4CH4FC309
	M3	L717SDA15PA4CH3F	L777SDA15PA4CH3F	L717SDA15PA4CH3FC309
25	UNC #4-40	L717SDB25PA4CH4F	L777SDB25PA4CH4F	L717SDB25PA4CH4FC309
	M3	L717SDB25PA4CH3F	L777SDB25PA4CH3F	L717SDB25PA4CH3FC309
37	UNC #4-40	L717SDC37PA4CH4F	L777SDC37PA4CH4F	L717SDC37PA4CH4FC309
	M3	L717SDC37PA4CH3F	L777SDC37PA4CH3F	L717SDC37PA4CH3FC309

Performance levels as per DIN 41 652/IEC 807-3

Receptacle Right Angle MIL Footprint – Front Screwlocks

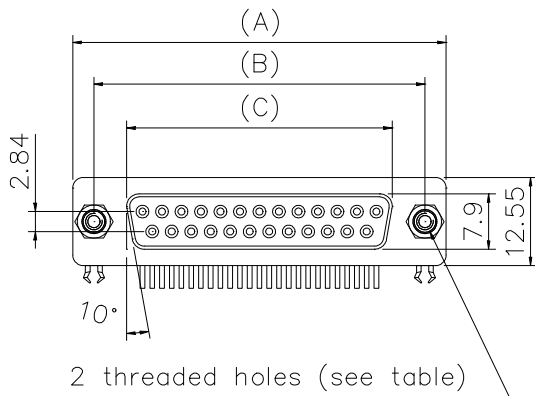


Specifications :

- Contact Resistance : 20 m Ω Max
- Insulator Resistance : 1000 M Ω Min at 500V DC
- Current Rating: 5A
- Dielectric Withstanding Voltage : 1000V AC for 1 minute
- Operating Temperature : -55 $^{\circ}$ c to +105 $^{\circ}$ c

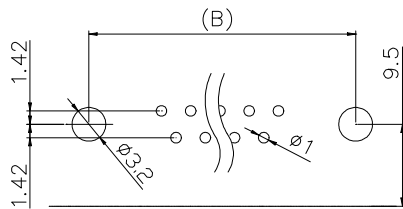
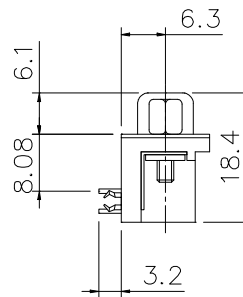
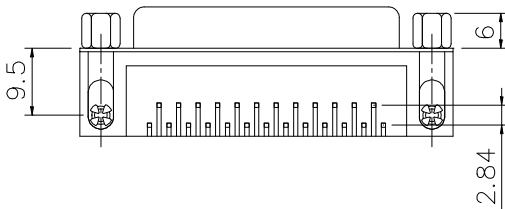
Materials :

- Contact : Bronze
- Housing : Glass-filled thermoplastic, UL94V-0
- Shell : Steel, Tin plated



Dimensions :

Nb of Contacts	A	B	C
9	30,89	24,99	16,33
15	39,10	33,32	24,66
25	53,09	47,04	38,38
37	69,40	63,50	54,84



Part Numbers :

Nb of Contacts	Threaded holes	Performance Level 3 (flash Gold)	Performance Level 2 (0,38 μ m Gold)	Performance Level 1 (0,76 μ m Gold)
9	UNC #4-40	L77SDE09SA4CH4F	L177SDE09SA4CH4F	L77SDE09SA4CH4FC309
	M3	L77SDE09SA4CH3F	L177SDE09SA4CH3F	L77SDE09SA4CH3FC309
15	UNC #4-40	L77SDA15SA4CH4F	L177SDA15SA4CH4F	L77SDA15SA4CH4FC309
	M3	L77SDA15SA4CH3F	L177SDA15SA4CH3F	L77SDA15SA4CH3FC309
25	UNC #4-40	L77SDB25SA4CH4F	L177SDB25SA4CH4F	L77SDB25SA4CH4FC309
	M3	L77SDB25SA4CH3F	L177SDB25SA4CH3F	L77SDB25SA4CH3FC309
37	UNC #4-40	L77SDC37SA4CH4F	L177SDC37SA4CH4F	L77SDC37SA4CH4FC309
	M3	L77SDC37SA4CH3F	L177SDC37SA4CH3F	L77SDC37SA4CH3FC309

Performance levels as per DIN 41 652/IEC 807-3

Plug Right Angle Europe Footprint – Rear Inserts

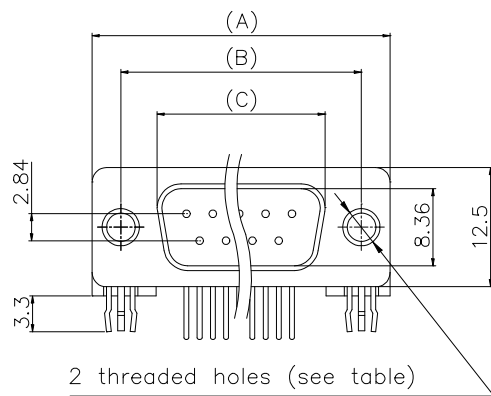


Specifications :

Contact Resistance : 20 m Ω Max
 Insulator Resistance : 1000 M Ω Min at 500V DC
 Current Rating: 5A
 Dielectric Withstanding Voltage : 1000V AC for 1 minute
 Operating Temperature : -55 $^{\circ}$ c to +105 $^{\circ}$ c

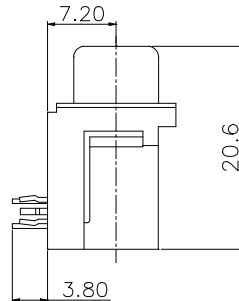
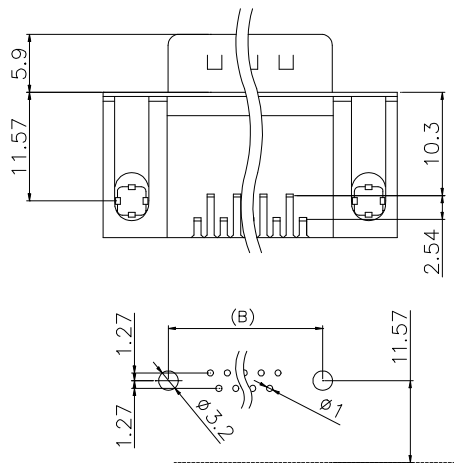
Materials :

Contact : Brass
 Housing : Glass-filled thermoplastic, UL94V-0
 Shell : Steel, Tin plated



Dimensions :

Nb of Contacts	A	B	C
9	30,89	24,99	16,92
15	39,10	33,32	25,25
25	53,09	47,04	38,96
37	69,40	63,50	55,42

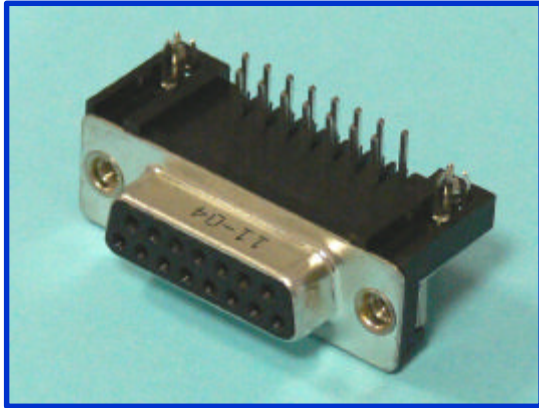


Part Numbers :

Nb of Contacts	Threaded holes	Performance Level 3 (flash Gold)	Performance Level 2 (0,38 μ m Gold)	Performance Level 1 (0,76 μ m Gold)
9	UNC #4-40	L717SDE09P1ACH4R	L777SDE09P1ACH4R	L717SDE09P1ACH4RC309
	M3	L717SDE09P1ACH3R	L777SDE09P1ACH3R	L717SDE09P1ACH3RC309
15	UNC #4-40	L717SDA15P1ACH4R	L777SDA15P1ACH4R	L717SDA15P1ACH4RC309
	M3	L717SDA15P1ACH3R	L777SDA15P1ACH3R	L717SDA15P1ACH3RC309
25	UNC #4-40	L717SDB25P1ACH4R	L777SDB25P1ACH4R	L717SDB25P1ACH4RC309
	M3	L717SDB25P1ACH3R	L777SDB25P1ACH3R	L717SDB25P1ACH3RC309
37	UNC #4-40	L717SDC37P1ACH4R	L777SDC37P1ACH4R	L717SDC37P1ACH4RC309
	M3	L717SDC37P1ACH3R	L777SDC37P1ACH3R	L717SDC37P1ACH3RC309

Performance levels as per DIN 41 652/IEC 807-3

Receptacle Right Angle Europe Footprint – Rear Inserts

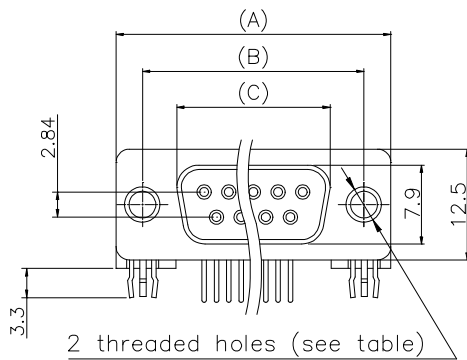


Specifications :

- Contact Resistance : 20 m Ω Max
- Insulator Resistance : 1000 M Ω Min at 500V DC
- Current Rating: 5A
- Dielectric Withstanding Voltage : 1000V AC for 1 minute
- Operating Temperature : -55 $^{\circ}$ c to +105 $^{\circ}$ c

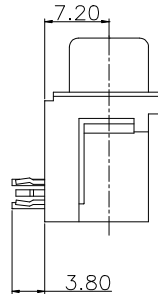
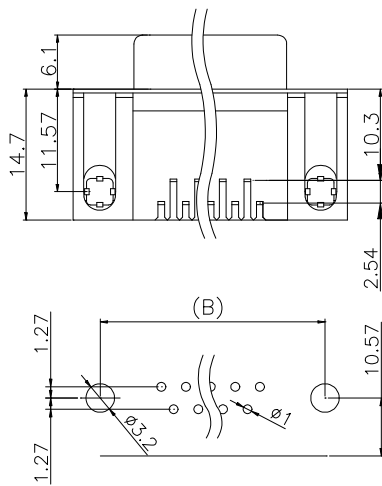
Materials :

- Contact : Bronze
- Housing : Glass-filled thermoplastic, UL94V-0
- Shell : Steel, Tin plated



Dimensions :

Nb of Contacts	A	B	C
9	30,89	24,99	16,33
15	39,10	33,32	24,66
25	53,09	47,04	38,38
37	69,40	63,50	54,84

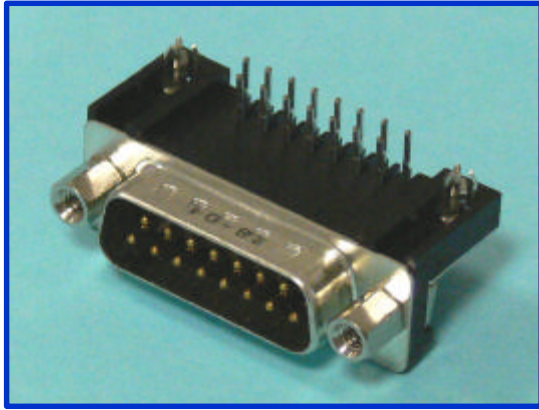


Part Numbers :

Nb of Contacts	Threaded holes	Performance Level 3 (flash Gold)	Performance Level 2 (0,38 μ m Gold)	Performance Level 1 (0,76 μ m Gold)
9	UNC #4-40	L77SDE09S1ACH4R	L177SDE09S1ACH4R	L77SDE09S1ACH4RC309
	M3	L77SDE09S1ACH3R	L177SDE09S1ACH3R	L77SDE09S1ACH3RC309
15	UNC #4-40	L77SDA15S1ACH4R	L177SDA15S1ACH4R	L77SDA15S1ACH4RC309
	M3	L77SDA15S1ACH3R	L177SDA15S1ACH3R	L77SDA15S1ACH3RC309
25	UNC #4-40	L77SDB25S1ACH4R	L177SDB25S1ACH4R	L77SDB25S1ACH4RC309
	M3	L77SDB25S1ACH3R	L177SDB25S1ACH3R	L77SDB25S1ACH3RC309
37	UNC #4-40	L77SDC37S1ACH4R	L177SDC37S1ACH4R	L77SDC37S1ACH4RC309
	M3	L77SDC37S1ACH3R	L177SDC37S1ACH3R	L77SDC37S1ACH3RC309

Performance levels as per DIN 41 652/IEC 807-3

Plug Right Angle Europe Footprint – Front Screwlocks

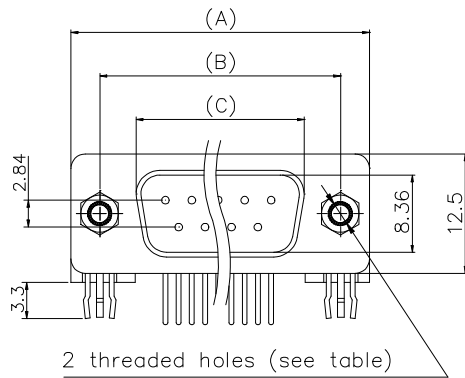


Specifications :

- Contact Resistance : 20 m Ω Max
- Insulator Resistance : 1000 M Ω Min at 500V DC
- Current Rating: 5A
- Dielectric Withstanding Voltage : 1000V AC for 1 minute
- Operating Temperature : -55 $^{\circ}$ c to +105 $^{\circ}$ c

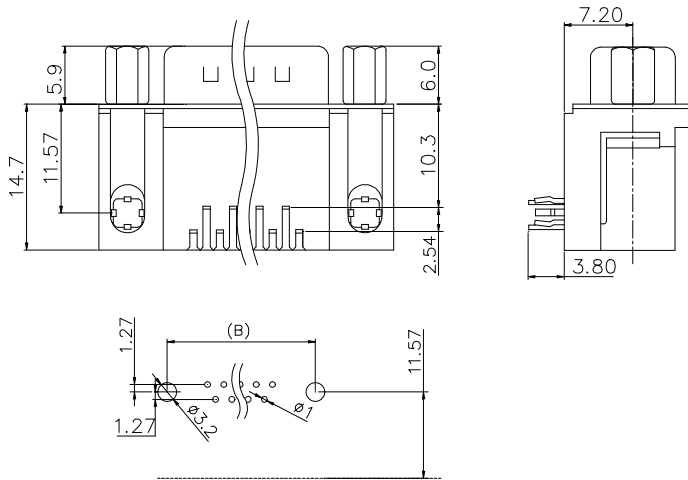
Materials :

- Contact : Brass
- Housing : Glass-filled thermoplastic, UL94V-0
- Shell : Steel, Tin plated



Dimensions :

Nb of Contacts	A	B	C
9	30,89	24,99	16,92
15	39,10	33,32	25,25
25	53,09	47,04	38,96
37	69,40	63,50	55,42

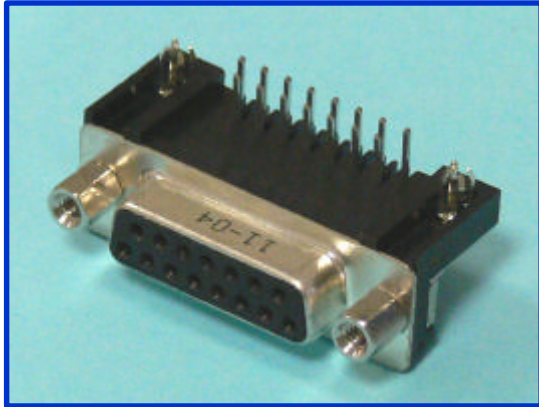


Part Numbers :

Nb of Contacts	Threaded holes	Performance Level 3 (flash Gold)	Performance Level 2 (0,38 μ m Gold)	Performance Level 1 (0,76 μ m Gold)
9	UNC #4-40	L717SDE09P1ACH4F	L777SDE09P1ACH4F	L717SDE09P1ACH4FC309
	M3	L717SDE09P1ACH3F	L777SDE09P1ACH3F	L717SDE09P1ACH3FC309
15	UNC #4-40	L717SDA15P1ACH4F	L777SDA15P1ACH4F	L717SDA15P1ACH4FC309
	M3	L717SDA15P1ACH3F	L777SDA15P1ACH3F	L717SDA15P1ACH3FC309
25	UNC #4-40	L717SDB25P1ACH4F	L777SDB25P1ACH4F	L717SDB25P1ACH4FC309
	M3	L717SDB25P1ACH3F	L777SDB25P1ACH3F	L717SDB25P1ACH3FC309
37	UNC #4-40	L717SDC37P1ACH4F	L777SDC37P1ACH4F	L717SDC37P1ACH4FC309
	M3	L717SDC37P1ACH3F	L777SDC37P1ACH3F	L717SDC37P1ACH3FC309

Performance levels as per DIN 41 652/IEC 807-3

Receptacle Right Angle Europe Footprint – Screwlocks

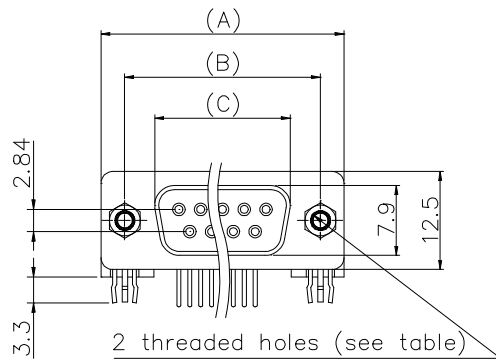


Specifications :

- Contact Resistance : 20 m Ω Max
- Insulator Resistance : 1000 M Ω Min at 500V DC
- Current Rating: 5A
- Dielectric Withstanding Voltage : 1000V AC for 1 minute
- Operating Temperature : -55 $^{\circ}$ c to +105 $^{\circ}$ c

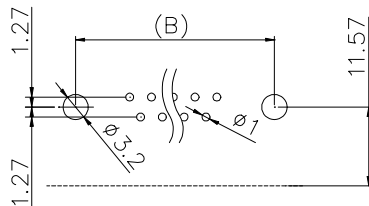
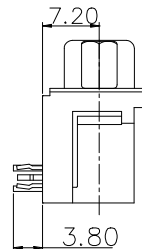
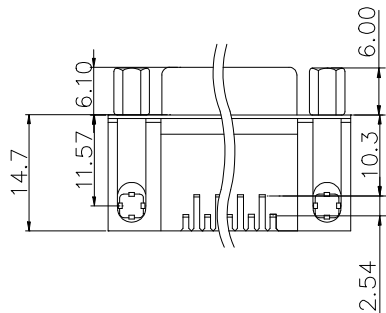
Materials :

- Contact : Bronze
- Housing : Glass-filled thermoplastic, UL94V-0
- Shell : Steel, Tin plated



Dimensions :

Nb of Contacts	A	B	C
9	30,89	24,99	16,33
15	39,10	33,32	24,66
25	53,09	47,04	38,38
37	69,40	63,50	54,84

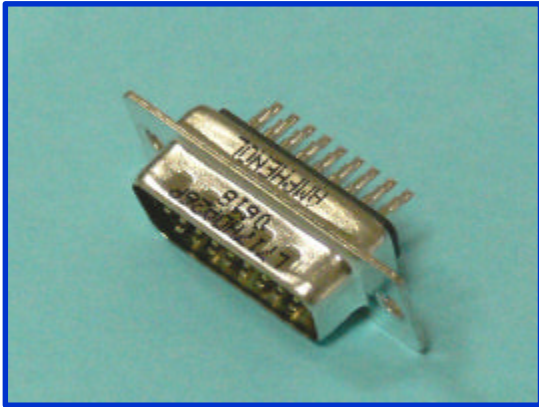


Part Numbers :

Nb of Contacts	Threaded holes	Performance Level 3 (flash Gold)	Performance Level 2 (0,38 μ m Gold)	Performance Level 1 (0,76 μ m Gold)
9	UNC #4-40	L77SDE09S1ACH4F	L177SDE09S1ACH4F	L77SDE09S1ACH4FC309
	M3	L77SDE09S1ACH3F	L177SDE09S1ACH3F	L77SDE09S1ACH3FC309
15	UNC #4-40	L77SDA15S1ACH4F	L177SDA15S1ACH4F	L77SDA15S1ACH4FC309
	M3	L77SDA15S1ACH3F	L177SDA15S1ACH3F	L77SDA15S1ACH3FC309
25	UNC #4-40	L77SDB25S1ACH4F	L177SDB25S1ACH4F	L77SDB25S1ACH4FC309
	M3	L77SDB25S1ACH3F	L177SDB25S1ACH3F	L77SDB25S1ACH3FC309
37	UNC #4-40	L77SDC37S1ACH4F	L177SDC37S1ACH4F	L77SDC37S1ACH4FC309
	M3	L77SDC37S1ACH3F	L177SDC37S1ACH3F	L77SDC37S1ACH3FC309

Performance levels as per DIN 41 652/IEC 807-3

Plug Solder Cup



Specifications :

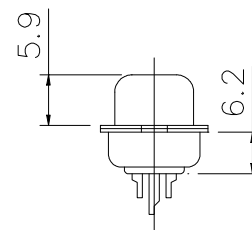
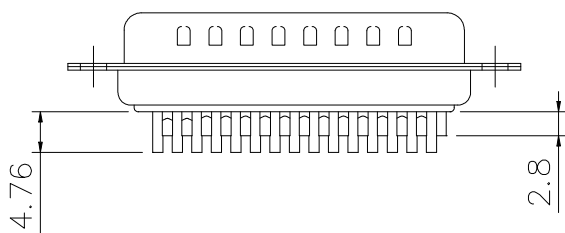
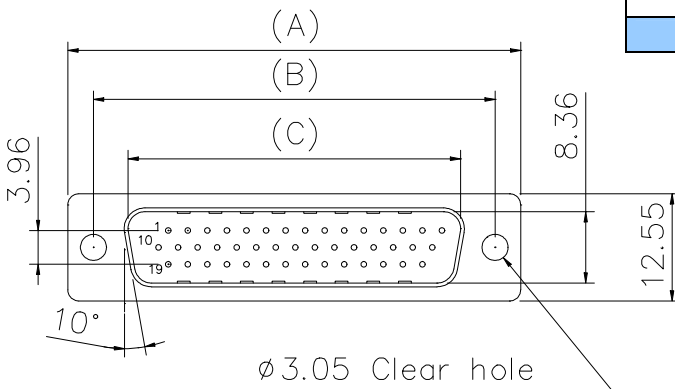
Contact Resistance : 20 m Ω Max
 Insulator Resistance : 1000 M Ω Min at 500V DC
 Current Rating: 3A
 Dielectric Withstanding Voltage : 1000V AC for 1 minute
 Operating Temperature : -55 $^{\circ}$ c to +105 $^{\circ}$ c

Materials :

Contact : Brass
 Housing : Glass-filled thermoplastic, UL94V-0
 Shell : Steel, Tin plated

Dimensions :

Nb of Contacts	A	B	C
9	30,89	24,99	16,92
15	39,10	33,32	25,25
25	53,09	47,04	38,96
37	69,40	63,50	55,42

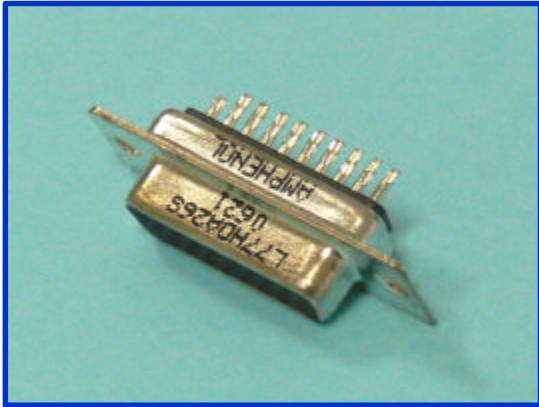


Part Numbers :

Nb of Contacts	Performance Level 3 (flash Gold)	Performance Level 2 (0,38 μ m Gold)	Performance Level 1 (0,76 μ m Gold)
15	L717HDE15P	L777HDE15P	L717HDE15PC309
26	L717HDA26P	L777HDA26P	L717HDA26PC309
44	L717HDB44P	L777HDB44P	L717HDB44PC309
62	L717HDC62P	L777HDC62P	L717HDC62PC309

Performance levels as per DIN 41 652/IEC 807-3

Receptacle Solder Cup



Specifications :

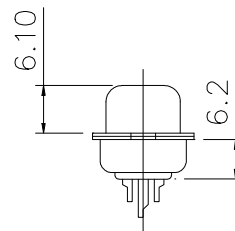
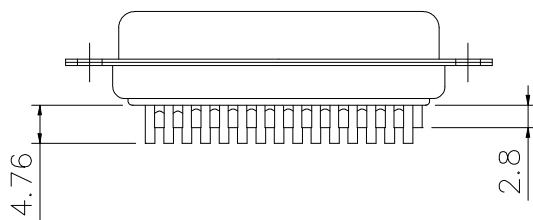
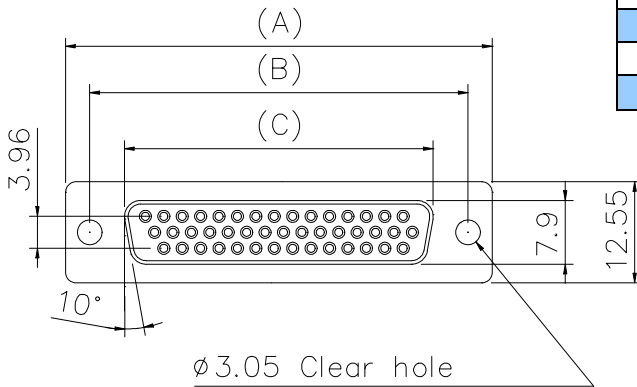
Contact Resistance : 20 m Ω Max
 Insulator Resistance : 1000 M Ω Min at 500V DC
 Current Rating: 3A
 Dielectric Withstanding Voltage : 1000V AC for 1 minute
 Operating Temperature : -55 $^{\circ}$ c to +105 $^{\circ}$ c

Materials :

Contact : Bronze
 Housing : Glass-filled thermoplastic, UL94V-0
 Shell : Steel, Tin plated

Dimensions :

Nb of Contacts	A	B	C
9	30,89	24,99	16,33
15	39,10	33,32	24,66
25	53,09	47,04	38,38
37	69,40	63,50	54,84



Part Numbers :

Nb of Contacts	Performance Level 3 (flash Gold)	Performance Level 2 (0,38 μ m Gold)	Performance Level 1 (0,76 μ m Gold)
15	L77HDE15S	L177HDE15S	L77HDE15SC309
26	L77HDA26S	L177HDA26S	L77HDA26SC309
44	L77HDB44S	L177HDB44S	L77HDB44SC309
62	L77HDC62S	L177HDC62S	L77HDC62SC309

Performance levels as per DIN 41 652/IEC 807-3

Plug Crimp



Specifications :

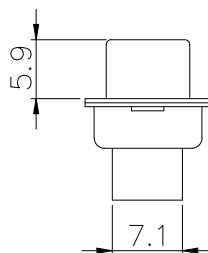
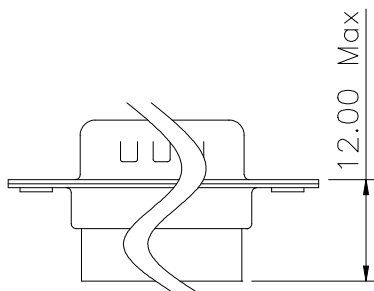
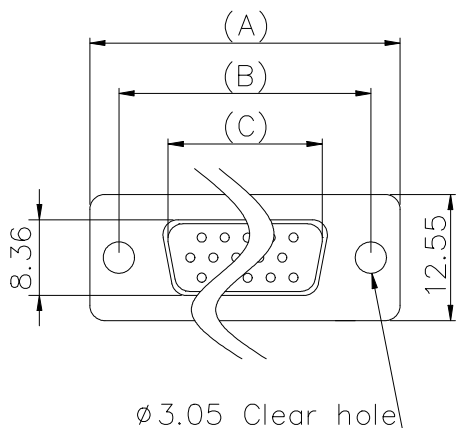
Contact Resistance : 20 m Ω Max
 Insulator Resistance : 1000 M Ω Min at 500V DC
 Current Rating: 3A
 Dielectric Withstanding Voltage : 1000V AC for 1 minute
 Operating Temperature : -55 $^{\circ}$ c to +105 $^{\circ}$ c

Materials :

Housing : Glass-filled thermoplastic, UL94V-0
 Shell : Steel, Tin plated

Dimensions :

Nb of Contacts	A	B	C
9	30,89	24,99	16,92
15	39,10	33,32	25,25
25	53,09	47,04	38,96
37	69,40	63,50	55,42

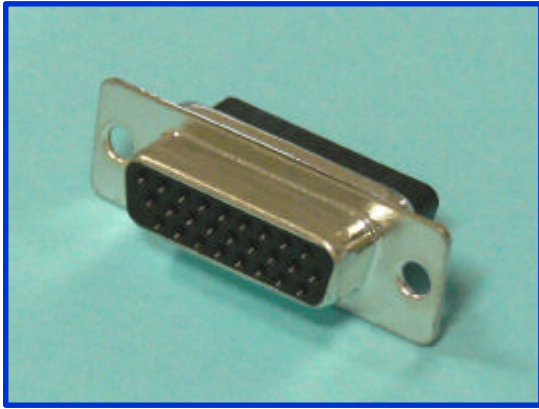


Part Numbers :

Nb of Contacts	Part Number
15	L777HRE15P
26	L777HRA26P
44	L777HRB44P
62	L777HRC62P



Receptacle Crimp



Specifications :

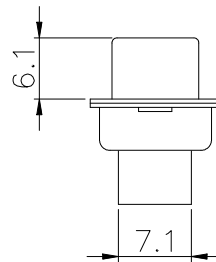
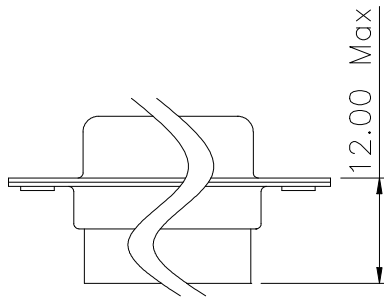
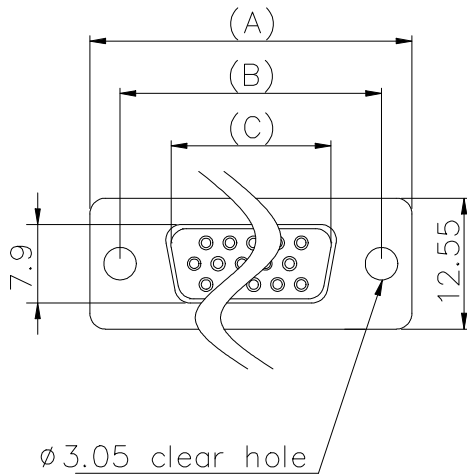
Contact Resistance : 20 m Ω Max
 Insulator Resistance : 1000 M Ω Min at 500V DC
 Current Rating: 3A
 Dielectric Withstanding Voltage : 1000V AC for 1 minute
 Operating Temperature : -55 $^{\circ}$ c to +105 $^{\circ}$ c

Materials :

Housing : Glass-filled thermoplastic, UL94V-0
 Shell : Steel, Tin plated

Dimensions :

Nb of Contacts	A	B	C
9	30,89	24,99	16,33
15	39,10	33,32	24,66
25	53,09	47,04	38,38
37	69,40	63,50	54,84

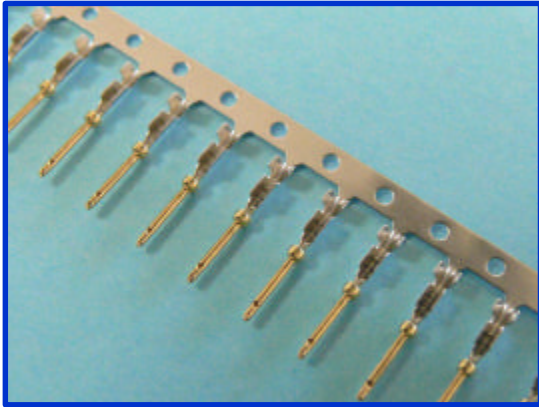


Part Numbers :

Nb of Contacts	Part Number
15	L177HRE15S
26	L177HRA26S
44	L177HRB44S
62	L177HRC62S



Male Crimp Contact

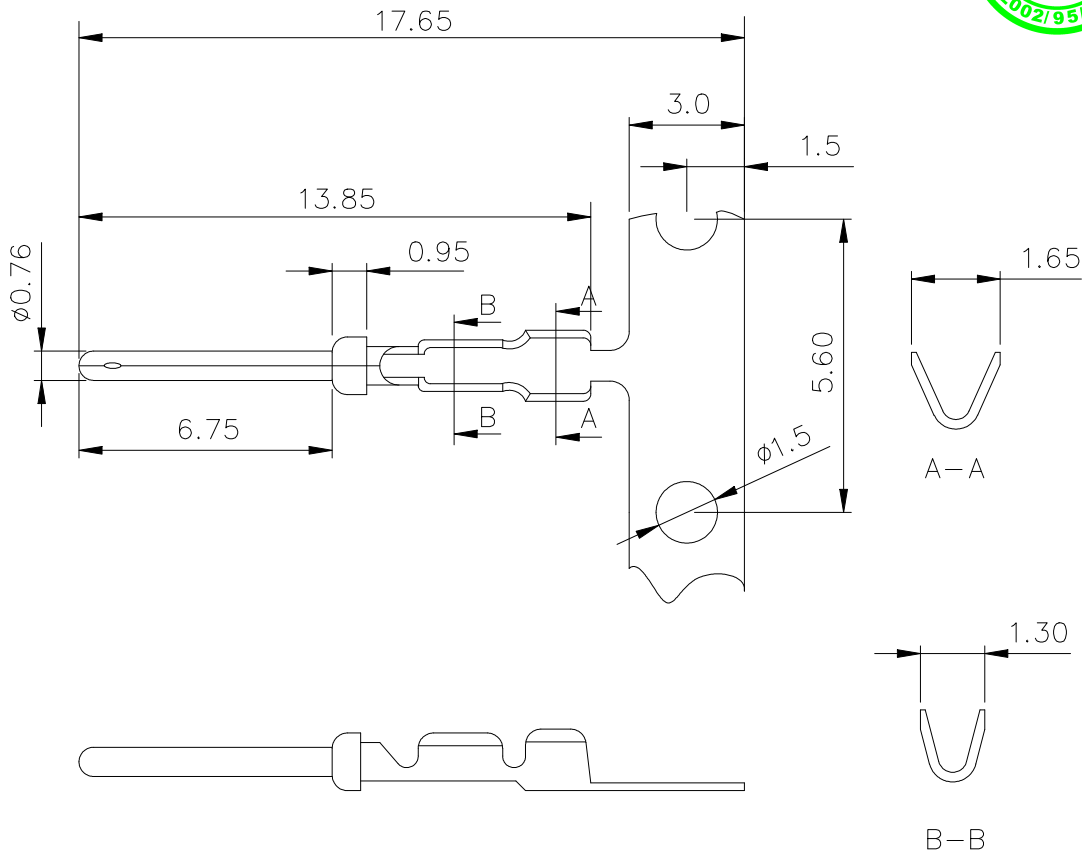


Specifications :

Wire gage : AWG 24-28, solid or stranded wires

Material :

Brass

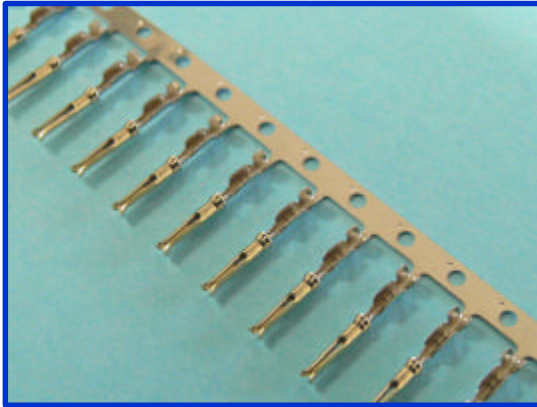


Part Numbers :

Packaging	Plating	Performance Level 3 (flash Gold)	Performance Level 2 (0,38 μ m Gold)	Performance Level 1 (0,76 μ m Gold)
reel of 5000 cts	Full Gold	L17HRD2M015K	L17HRD2M025K	L17HRD2M045K
	Selective	L17HRD2M115K	L17HRD2M125K	L17HRD2M145K
reel of 10000 cts	Full Gold	L17HRD2M0110K	L17HRD2M0210K	L17HRD2M0410K
	Selective	L17HRD2M1110K	L17HRD2M1210K	L17HRD2M1410K

Performance levels as per DIN 41 652/IEC 807-3

Female Crimp Contact

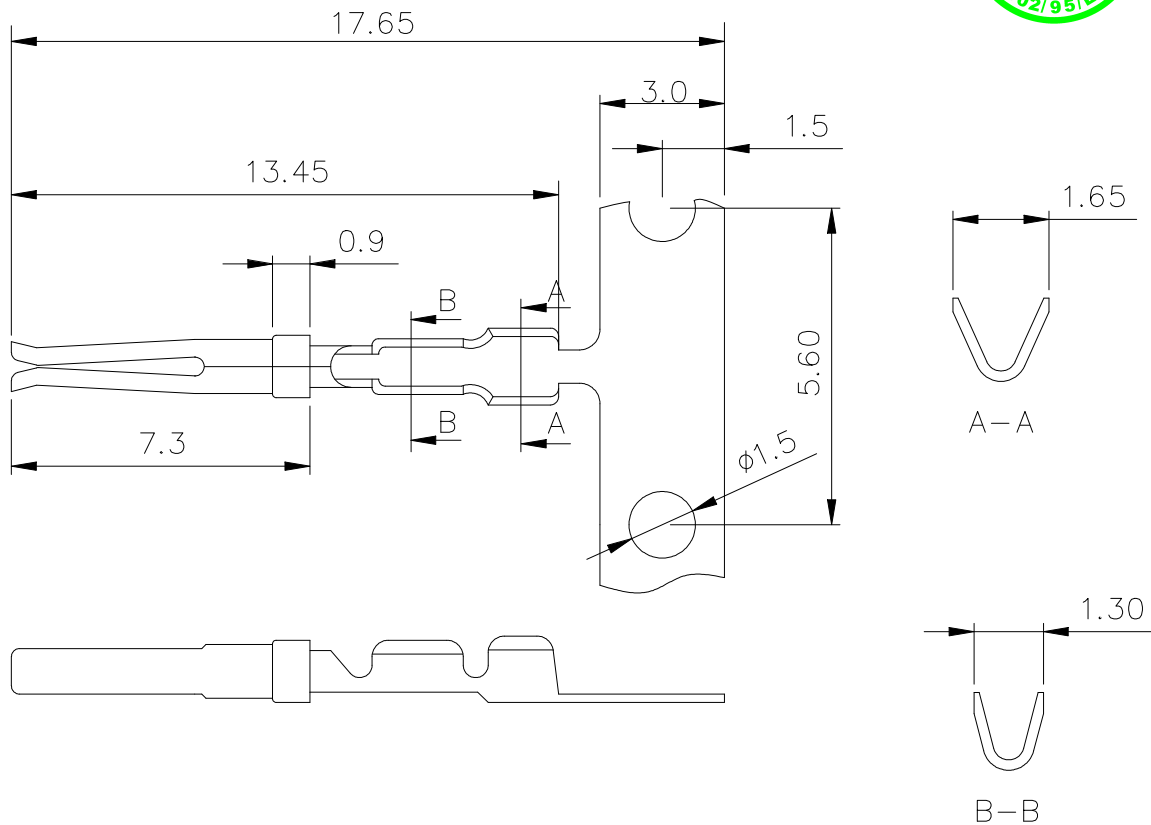


Specifications :

Wire gage : AWG 24-28, solid or stranded wires

Material :

Bronze

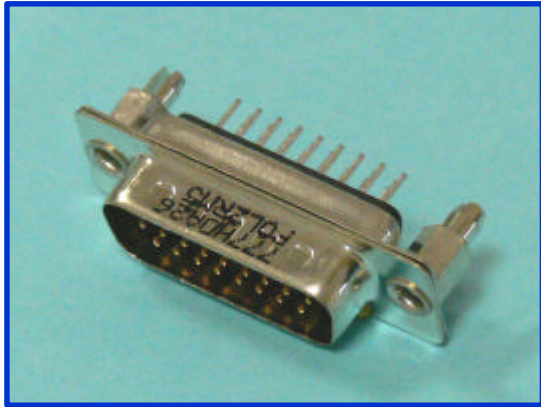


Part Numbers :

Packaging	Plating	Performance Level 3 (flash Gold)	Performance Level 2 (0,38 μ m Gold)	Performance Level 1 (0,76 μ m Gold)
reel of 5000 cts	Full Gold	L17HRD2F015K	L17HRD2F025K	L17HRD2F045K
	Selective	L17HRD2F115K	L17HRD2F125K	L17HRD2F145K
reel of 10000 cts	Full Gold	L17HRD2F0110K	L17HRD2F0210K	L17HRD2F0410K
	Selective	L17HRD2F1110K	L17HRD2F1210K	L17HRD2F1410K

Performance levels as per DIN 41 652/IEC 807-3

Plug Straight PCB – Rear Inserts



Specifications :

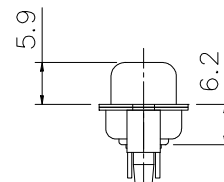
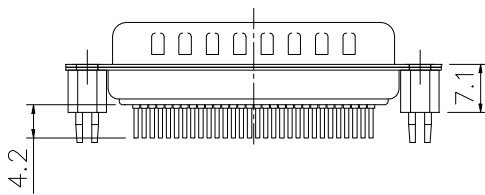
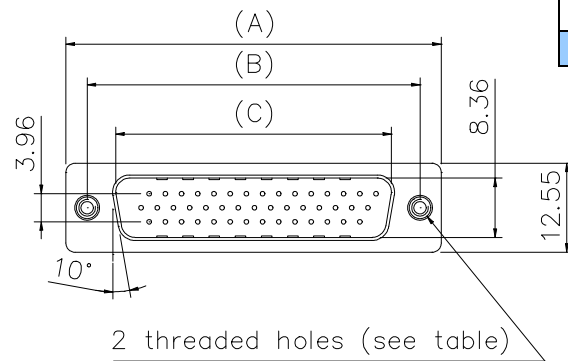
- Contact Resistance : 20 m Ω Max
- Insulator Resistance : 1000 M Ω Min at 500V DC
- Current Rating: 3A
- Dielectric Withstanding Voltage : 1000V AC for 1 minute
- Operating Temperature : -55 $^{\circ}$ c to +105 $^{\circ}$ c

Materials :

- Contact : Brass
- Housing : Glass-filled thermoplastic, UL94V-0
- Shell : Steel, Tin plated

Dimensions :

Nb of Contacts	A	B	C
9	30,89	24,99	16,92
15	39,10	33,32	25,25
25	53,09	47,04	38,96
37	69,40	63,50	55,42

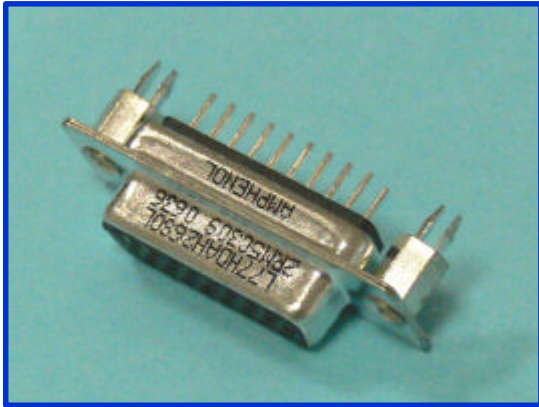


Part Numbers :

Nb of Contacts	Theaded holes	Performance Level 3 (flash Gold)	Performance Level 2 (0,38 μ m Gold)	Performance Level 1 (0,76 μ m Gold)
15	UNC #4-40	L717HDEH15POL2RM5	L777HDEH15POL2RM5	L717HDEH15POL2RM5C309
	M3	L717HDEG15POL2RM5	L777HDEG15POL2RM5	L717HDEG15POL2RM5C309
26	UNC #4-40	L717HDAH26POL2RM5	L777HDAH26POL2RM5	L717HDAH26POL2RM5C309
	M3	L717HDAG26POL2RM5	L777HDAG26POL2RM5	L717HDAG26POL2RM5C309
44	UNC #4-40	L717HDBH44POL2RM5	L777HDBH44POL2RM5	L717HDBH44POL2RM5C309
	M3	L717HDBG44POL2RM5	L777HDBG44POL2RM5	L717HDBG44POL2RM5C309
62	UNC #4-40	L717HDCH62POL2RM5	L777HDCH62POL2RM5	L717HDCH62POL2RM5C309
	M3	L717HDCG62POL2RM5	L777HDCG62POL2RM5	L717HDCG62POL2RM5C309

Performance levels as per DIN 41 652/IEC 807-3

Receptacle Straight PCB – Rear Inserts



Specifications :

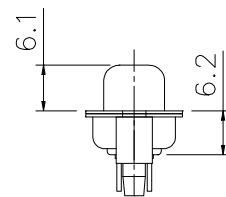
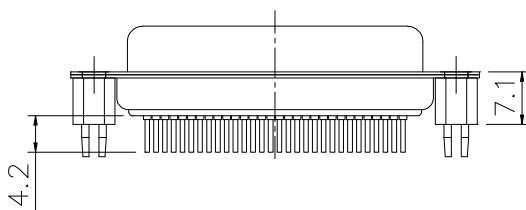
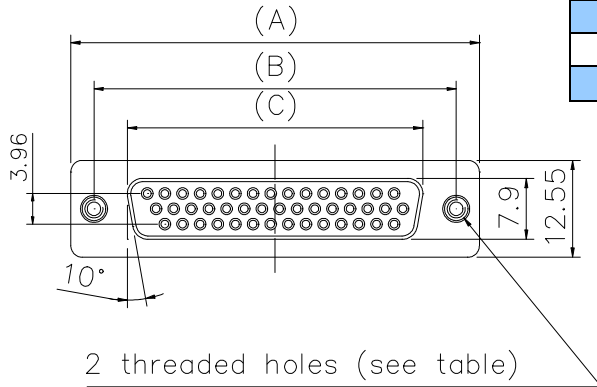
- Contact Resistance : 20 m Ω Max
- Insulator Resistance : 1000 M Ω Min at 500V DC
- Current Rating: 3A
- Dielectric Withstanding Voltage : 1000V AC for 1 minute
- Operating Temperature : -55 $^{\circ}$ c to +105 $^{\circ}$ c

Materials :

- Contact : Bronze
- Housing : Glass-filled thermoplastic, UL94V-0
- Shell : Steel, Tin plated

Dimensions :

Nb of Contacts	A	B	C
9	30,89	24,99	16,33
15	39,10	33,32	24,66
25	53,09	47,04	38,38
37	69,40	63,50	54,84

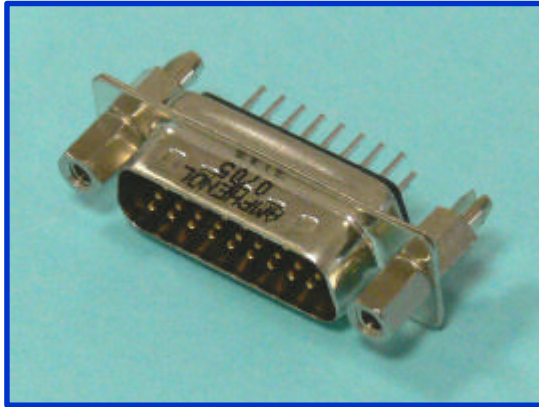


Part Numbers :

Nb of Contacts	Theaded holes	Performance Level 3 (flash Gold)	Performance Level 2 (0,38 μ m Gold)	Performance Level 1 (0,76 μ m Gold)
15	UNC #4-40	L77HDEH15SOL2RM5	L177HDEH15SOL2RM5	L77HDEH15SOL2RM5C309
	M3	L77HDEG15SOL2RM5	L177HDEG15SOL2RM5	L77HDEG15SOL2RM5C309
26	UNC #4-40	L77HDAH26SOL2RM5	L177HDAH26SOL2RM5	L77HDAH26SOL2RM5C309
	M3	L77HDAG26SOL2RM5	L177HDAG26SOL2RM5	L77HDAG26SOL2RM5C309
44	UNC #4-40	L77HDBH44SOL2RM5	L177HDBH44SOL2RM5	L77HDBH44SOL2RM5C309
	M3	L77HDBG44SOL2RM5	L177HDBG44SOL2RM5	L77HDBG44SOL2RM5C309
62	UNC #4-40	L77HDCH62SOL2RM5	L177HDCH62SOL2RM5	L77HDCH62SOL2RM5C309
	M3	L77HDCC62SOL2RM5	L177HDCC62SOL2RM5	L77HDCC62SOL2RM5C309

Performance levels as per DIN 41 652/IEC 807-3

Plug Straight PCB – Front Screwlocks



Specifications :

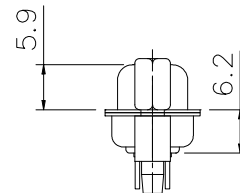
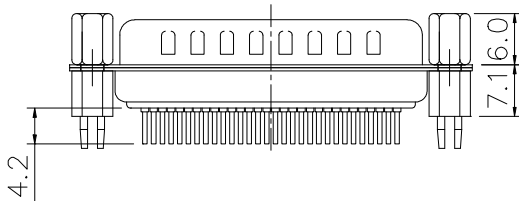
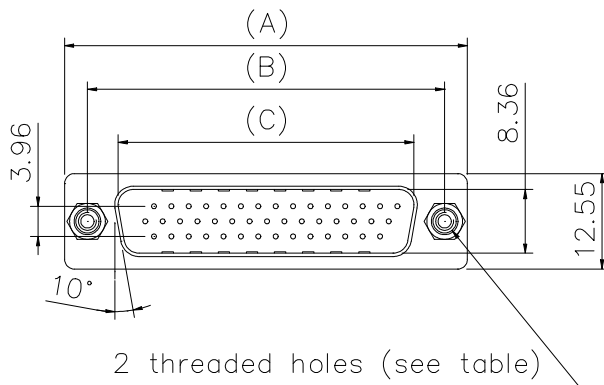
Contact Resistance : 20 m Ω Max
 Insulator Resistance : 1000 M Ω Min at 500V DC
 Current Rating: 3A
 Dielectric Withstanding Voltage : 1000V AC for 1 minute
 Operating Temperature : -55 $^{\circ}$ c to +105 $^{\circ}$ c

Materials :

Contact : Brass
 Housing : Glass-filled thermoplastic, UL94V-0
 Shell : Steel, Tin plated

Dimensions :

Nb of Contacts	A	B	C
9	30,89	24,99	16,92
15	39,10	33,32	25,25
25	53,09	47,04	38,96
37	69,40	63,50	55,42

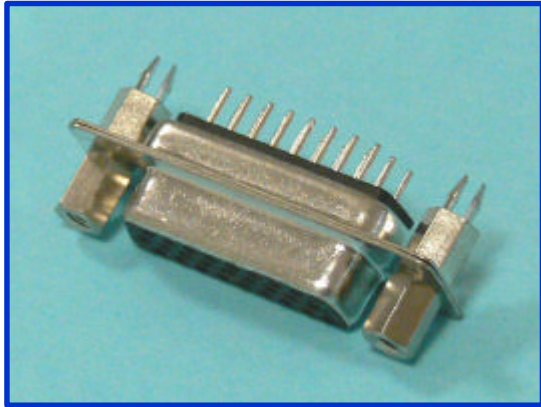


Part Numbers :

Nb of Contacts	Theaded holes	Performance Level 3 (flash Gold)	Performance Level 2 (0,38 μ m Gold)	Performance Level 1 (0,76 μ m Gold)
15	UNC #4-40	L717HDEH15POL2RM8	L777HDEH15POL2RM8	L717HDEH15POL2RM8C309
	M3	L717HDEG15POL2RM8	L777HDEG15POL2RM8	L717HDEG15POL2RM8C309
26	UNC #4-40	L717HDAH26POL2RM8	L777HDAH26POL2RM8	L717HDAH26POL2RM8C309
	M3	L717HDAG26POL2RM8	L777HDAG26POL2RM8	L717HDAG26POL2RM8C309
44	UNC #4-40	L717HDBH44POL2RM8	L777HDBH44POL2RM8	L717HDBH44POL2RM8C309
	M3	L717HDBG44POL2RM8	L777HDBG44POL2RM8	L717HDBG44POL2RM8C309
62	UNC #4-40	L717HDCH62POL2RM8	L777HDCH62POL2RM8	L717HDCH62POL2RM8C309
	M3	L717HDCG62POL2RM8	L777HDCG62POL2RM8	L717HDCG62POL2RM8C309

Performance levels as per DIN 41 652/IEC 807-3

Receptacle Straight PCB – Front Screwlocks



Specifications :

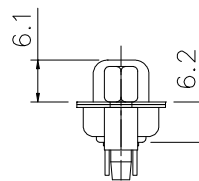
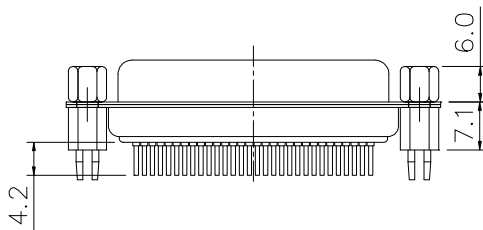
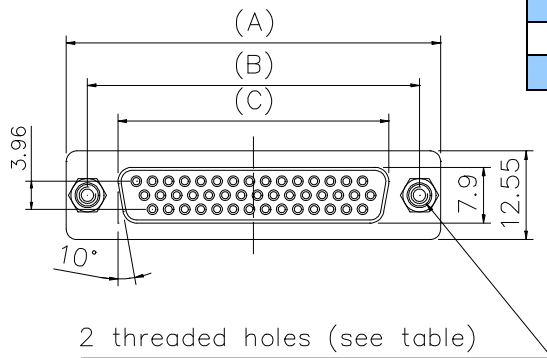
Contact Resistance : 20 m Ω Max
 Insulator Resistance : 1000 M Ω Min at 500V DC
 Current Rating: 3A
 Dielectric Withstanding Voltage : 1000V AC for 1 minute
 Operating Temperature : -55 $^{\circ}$ c to +105 $^{\circ}$ c

Materials :

Contact : Bronze
 Housing : Glass-filled thermoplastic, UL94V-0
 Shell : Steel, Tin plated

Dimensions :

Nb of Contacts	A	B	C
9	30,89	24,99	16,33
15	39,10	33,32	24,66
25	53,09	47,04	38,38
37	69,40	63,50	54,84

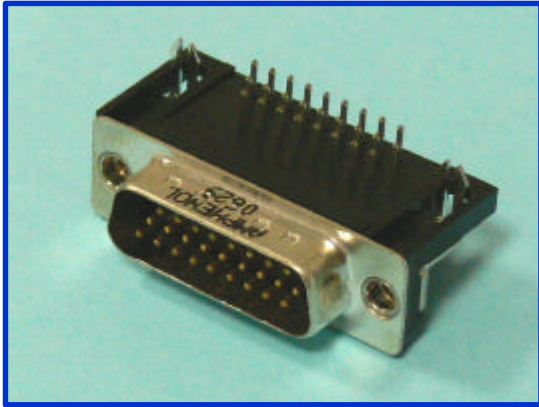


Part Numbers :

Nb of Contacts	Theaded holes	Performance Level 3 (flash Gold)	Performance Level 2 (0,38 μ m Gold)	Performance Level 1 (0,76 μ m Gold)
15	UNC #4-40	L77HDEH15SOL2RM8	L177HDEH15SOL2RM8	L77HDEH15SOL2RM8C309
	M3	L77HDEG15SOL2RM8	L177HDEG15SOL2RM8	L77HDEG15SOL2RM8C309
26	UNC #4-40	L77HDAH26SOL2RM8	L177HDAH26SOL2RM8	L77HDAH26SOL2RM8C309
	M3	L77HDAG26SOL2RM8	L177HDAG26SOL2RM8	L77HDAG26SOL2RM8C309
44	UNC #4-40	L77HDBH44SOL2RM8	L177HDBH44SOL2RM8	L77HDBH44SOL2RM8C309
	M3	L77HDBG44SOL2RM8	L177HDBG44SOL2RM8	L77HDBG44SOL2RM8C309
62	UNC #4-40	L77HDCH62SOL2RM8	L177HDCH62SOL2RM8	L77HDCH62SOL2RM8C309
	M3	L77HDCH62SOL2RM8	L177HDCH62SOL2RM8	L77HDCH62SOL2RM8C309

Performance levels as per DIN 41 652/IEC 807-3

Plug Right Angle - Rear Inserts

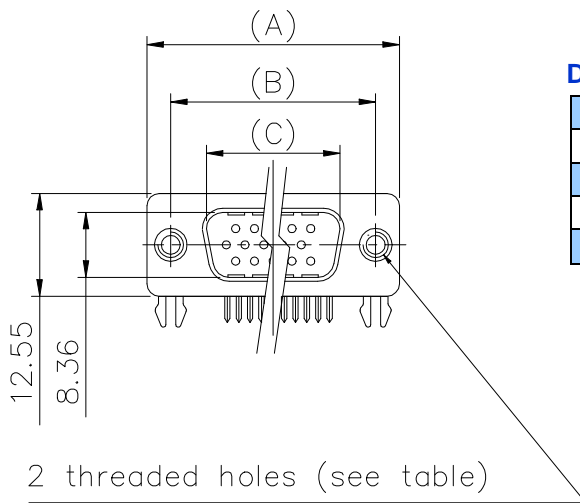


Specifications :

Contact Resistance : 20 m Ω Max
 Insulator Resistance : 1000 M Ω Min at 500V DC
 Current Rating: 3A
 Dielectric Withstanding Voltage : 1000V AC for 1 minute
 Operating Temperature : -55 $^{\circ}$ c to +105 $^{\circ}$ c

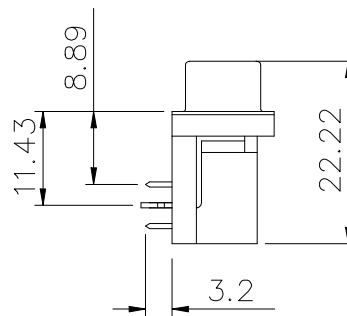
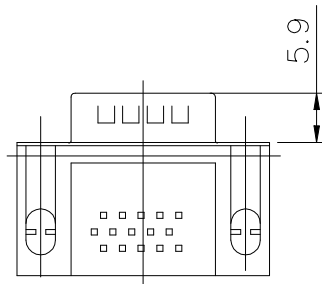
Materials :

Contact : Brass
 Housing : Glass-filled thermoplastic, UL94V-0
 Shell : Steel, Tin plated



Dimensions :

Nb of Contacts	A	B	C
9	30,89	24,99	16,92
15	39,10	33,32	25,25
25	53,09	47,04	38,96
37	69,40	63,50	55,42

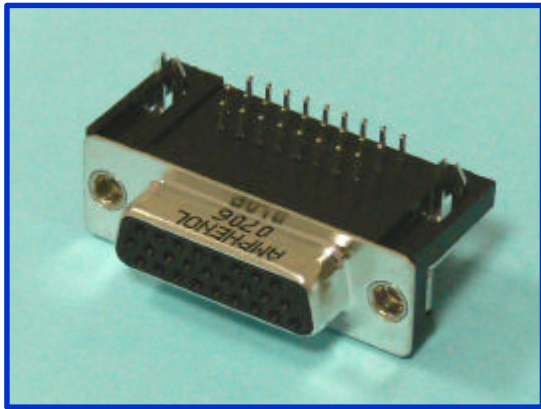


Part Numbers :

Nb of Contacts	Threaded holes	Performance Level 3 (flash Gold)	Performance Level 2 (0,38 μ m Gold)	Performance Level 1 (0,76 μ m Gold)
15	UNC #4-40	L717HDE15PD1CH4R	L777HDE15PD1CH4R	L717HDE15PD1CH4RC309
	M3	L717HDE15PD1CH3R	L777HDE15PD1CH3R	L717HDE15PD1CH3RC309
26	UNC #4-40	L717HDA26PD1CH4R	L777HDA26PD1CH4R	L717HDA26PD1CH4RC309
	M3	L717HDA26PD1CH3R	L777HDA26PD1CH3R	L717HDA26PD1CH3RC309
44	UNC #4-40	L717HDB44PD1CH4R	L777HDB44PD1CH4R	L717HDB44PD1CH4RC309
	M3	L717HDB44PD1CH3R	L777HDB44PD1CH3R	L717HDB44PD1CH3RC309
62	UNC #4-40	L717HDC62PD1CH4R	L777HDC62PD1CH4R	L717HDC62PD1CH4RC309
	M3	L717HDC62PD1CH3R	L777HDC62PD1CH3R	L717HDC62PD1CH3RC309

Performance levels as per DIN 41 652/IEC 807-3

Receptacle Right Angle – Rear Inserts

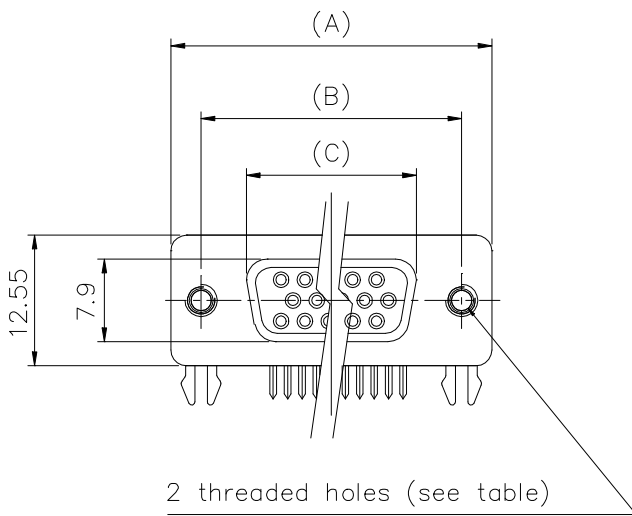


Specifications :

- Contact Resistance : 20 m Ω Max
- Insulator Resistance : 1000 M Ω Min at 500V DC
- Current Rating: 3A
- Dielectric Withstanding Voltage : 1000V AC for 1 minute
- Operating Temperature : -55 $^{\circ}$ c to +105 $^{\circ}$ c

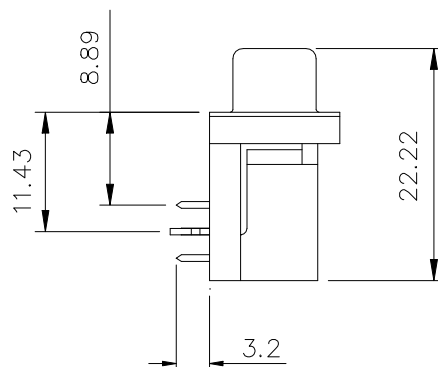
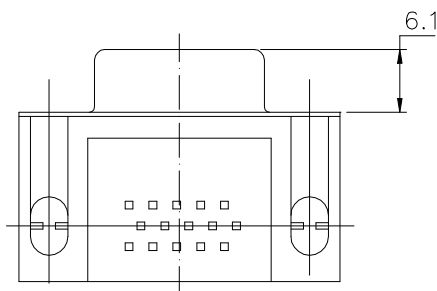
Materials :

- Contact : Bronze
- Housing : Glass-filled thermoplastic, UL94V-0
- Shell : Steel, Tin plated



Dimensions :

Nb of Contacts	A	B	C
9	30,89	24,99	16,33
15	39,10	33,32	24,66
25	53,09	47,04	38,38
37	69,40	63,50	54,84

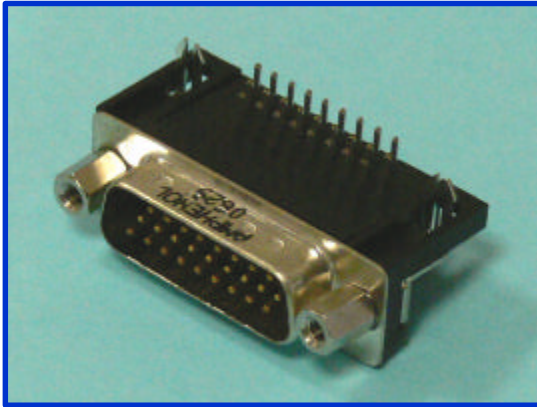


Part Numbers :

Nb of Contacts	Threaded holes	Performance Level 3 (flash Gold)	Performance Level 2 (0,38 μ m Gold)	Performance Level 1 (0,76 μ m Gold)
15	UNC #4-40	L77HDE15SD1CH4R	L177HDE15SD1CH4R	L77HDE15SD1CH4RC309
	M3	L77HDE15SD1CH3R	L177HDE15SD1CH3R	L77HDE15SD1CH3RC309
26	UNC #4-40	L77HDA26SD1CH4R	L177HDA26SD1CH4R	L77HDA26SD1CH4RC309
	M3	L77HDA26SD1CH3R	L177HDA26SD1CH3R	L77HDA26SD1CH3RC309
44	UNC #4-40	L77HDB44SD1CH4R	L177HDB44SD1CH4R	L77HDB44SD1CH4RC309
	M3	L77HDB44SD1CH3R	L177HDB44SD1CH3R	L77HDB44SD1CH3RC309
62	UNC #4-40	L77HDC62SD1CH4R	L177HDC62SD1CH4R	L77HDC62SD1CH4RC309
	M3	L77HDC62SD1CH3R	L177HDC62SD1CH3R	L77HDC62SD1CH3RC309

Performance levels as per DIN 41 652/IEC 807-3

Plug Right Angle - Front Screwlocks

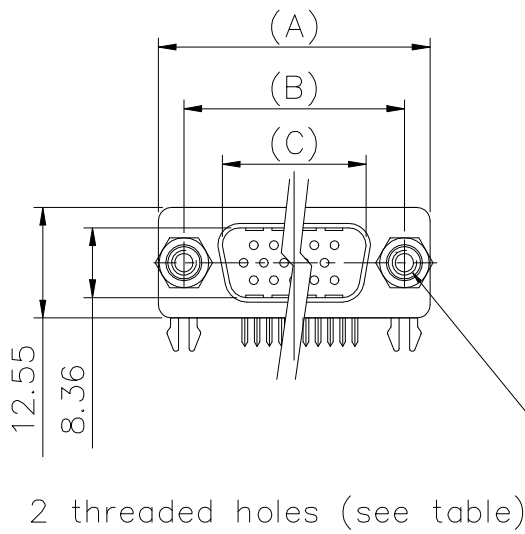


Specifications :

Contact Resistance : 20 m Ω Max
 Insulator Resistance : 1000 M Ω Min at 500V DC
 Current Rating: 3A
 Dielectric Withstanding Voltage : 1000V AC for 1 minute
 Operating Temperature : -55 $^{\circ}$ c to +105 $^{\circ}$ c

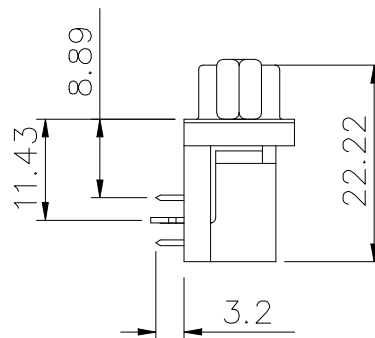
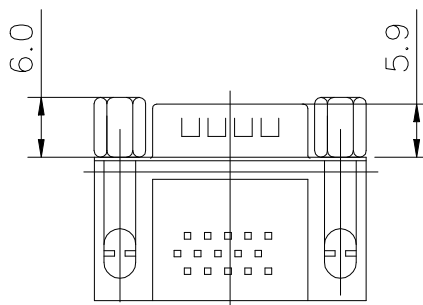
Materials :

Contact : Brass
 Housing : Glass-filled thermoplastic, UL94V-0
 Shell : Steel, Tin plated



Dimensions :

Nb of Contacts	A	B	C
9	30,89	24,99	16,92
15	39,10	33,32	25,25
25	53,09	47,04	38,96
37	69,40	63,50	55,42

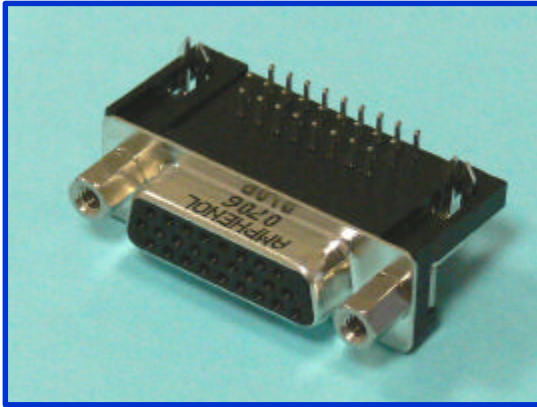


Part Numbers :

Nb of Contacts	Threaded holes	Performance Level 3 (flash Gold)	Performance Level 2 (0,38 μ m Gold)	Performance Level 1 (0,76 μ m Gold)
15	UNC #4-40	L717HDE15PD1CH4F	L777HDE15PD1CH4F	L717HDE15PD1CH4FC309
	M3	L717HDE15PD1CH3F	L777HDE15PD1CH3F	L717HDE15PD1CH3FC309
26	UNC #4-40	L717HDA26PD1CH4F	L777HDA26PD1CH4F	L717HDA26PD1CH4FC309
	M3	L717HDA26PD1CH3F	L777HDA26PD1CH3F	L717HDA26PD1CH3FC309
44	UNC #4-40	L717HDB44PD1CH4F	L777HDB44PD1CH4F	L717HDB44PD1CH4FC309
	M3	L717HDB44PD1CH3F	L777HDB44PD1CH3F	L717HDB44PD1CH3FC309
62	UNC #4-40	L717HDC62PD1CH4F	L777HDC62PD1CH4F	L717HDC62PD1CH4FC309
	M3	L717HDC62PD1CH3F	L777HDC62PD1CH3F	L717HDC62PD1CH3FC309

Performance levels as per DIN 41 652/IEC 807-3

Receptacle Right Angle – Front Screwlocks

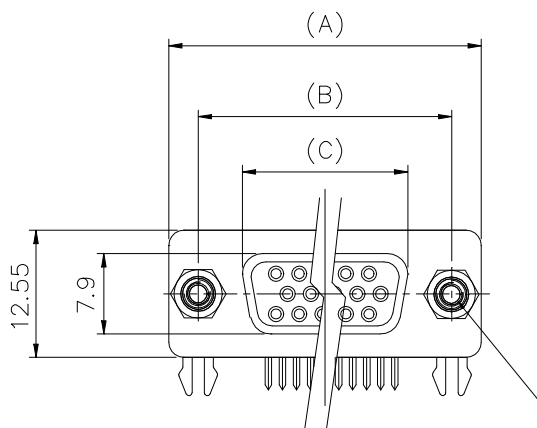


Specifications :

- Contact Resistance : 20 m Ω Max
- Insulator Resistance : 1000 M Ω Min at 500V DC
- Current Rating: 3A
- Dielectric Withstanding Voltage : 1000V AC for 1 minute
- Operating Temperature : -55 $^{\circ}$ c to +105 $^{\circ}$ c

Materials :

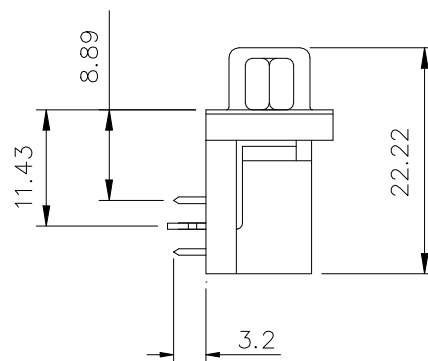
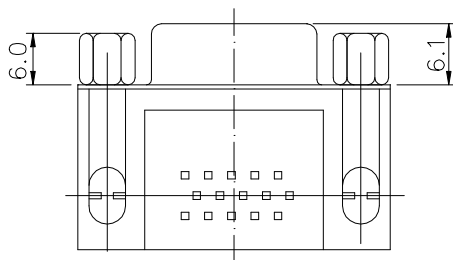
- Contact : Bronze
- Housing : Glass-filled thermoplastic, UL94V-0
- Shell : Steel, Tin plated



2 threaded holes (see table)

Dimensions :

Nb of Contacts	A	B	C
9	30,89	24,99	16,33
15	39,10	33,32	24,66
25	53,09	47,04	38,38
37	69,40	63,50	54,84



Part Numbers :

Nb of Contacts	Threaded holes	Performance Level 3 (flash Gold)	Performance Level 2 (0,38 μ m Gold)	Performance Level 1 (0,76 μ m Gold)
15	UNC #4-40	L77HDE15SD1CH4F	L177HDE15SD1CH4F	L77HDE15SD1CH4FC309
	M3	L77HDE15SD1CH3F	L177HDE15SD1CH3F	L77HDE15SD1CH3FC309
26	UNC #4-40	L77HDA26SD1CH4F	L177HDA26SD1CH4F	L77HDA26SD1CH4FC309
	M3	L77HDA26SD1CH3F	L177HDA26SD1CH3F	L77HDA26SD1CH3FC309
44	UNC #4-40	L77HDB44SD1CH4F	L177HDB44SD1CH4F	L77HDB44SD1CH4FC309
	M3	L77HDB44SD1CH3F	L177HDB44SD1CH3F	L77HDB44SD1CH3FC309
62	UNC #4-40	L77HDC62SD1CH4F	L177HDC62SD1CH4F	L77HDC62SD1CH4FC309
	M3	L77HDC62SD1CH3F	L177HDC62SD1CH3F	L77HDC62SD1CH3FC309

Performance levels as per DIN 41 652/IEC 807-3

Plastic Hood – Top Entry

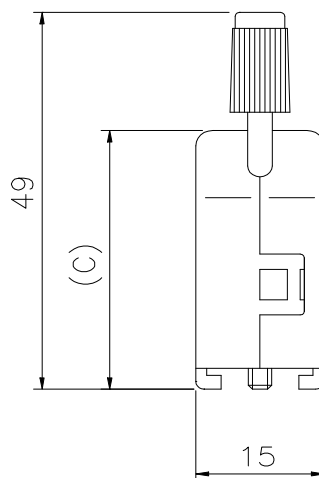
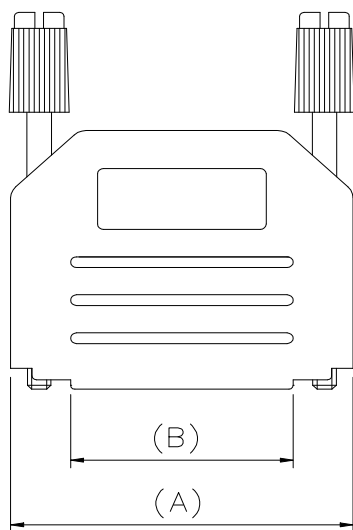


Specifications :
 Snap-in hood
 UNC #4-40 jackscrews
 Metallic cable clamp
 Cable diameter : up to 11,5 mm

Materials :
 Black thermoplastic UL rated

Dimensions :

Size	A	B	C
9	31,5	18,0	34,0
15	40,0	26,0	34,0
25	53,5	28,0	40,0
37	67,5	55,0	40,0



Part Numbers :

Size	Part Number
15	L17DPPK09JS
26	L17DPPK15JS
44	L17DPPK15JS
62	L17DPPK15JS



Plastic Hood – side Entry

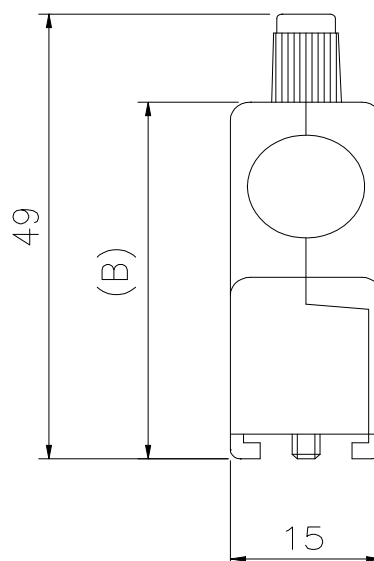
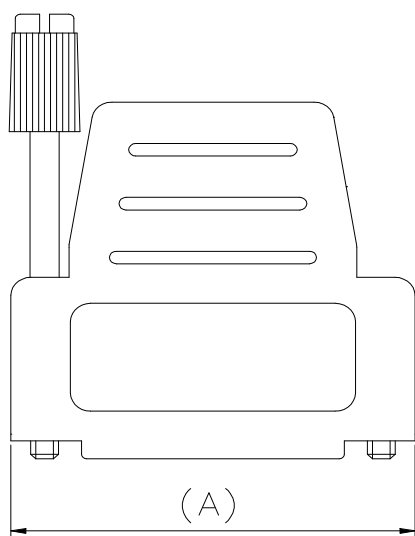


Specifications :
 Snap-in hood
 UNC #4-40 jackscrews
 Metallic cable clamp
 Cable diameter : up to 11,5 mm

Materials :
 Black thermoplastic UL rated

Dimensions :

Size	A	B
9	31,5	40,0
15	40,0	40,0
25	53,5	43,0
37	71,3	40,0



Part Numbers :

Size	Part Number
15	L17DSSK09TP
26	L17DSSK15TP
44	L17DSSK15TP
62	L17DSSK15TP



Plastic Metallized Hood – Top Entry



Specifications :

- Snap-in hood
- UNC #4-40 jackscrews
- Metallic cable clamp
- Cable diameter : up to 11,5 mm

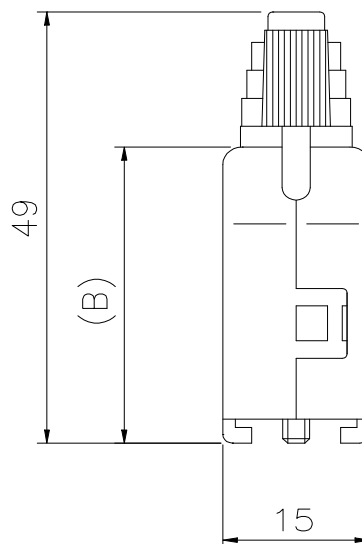
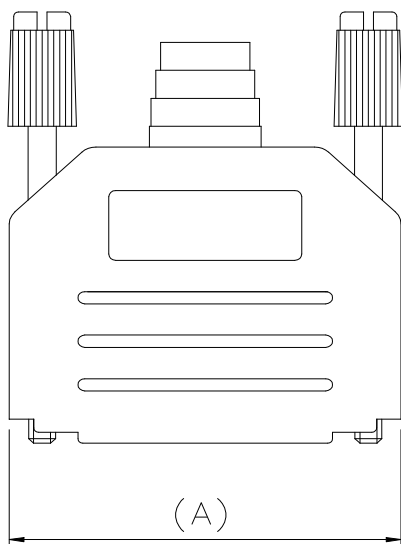
Attenuation factor : >40 dB between 30 MHz and 1 GHz

Materials :

Metallized thermoplastic UL rated

Dimensions :

Size	A	B
9	32,5	38,0
15	41,0	38,0
25	54,5	40,0
37	71,0	40,0



Part Numbers :

Size	Part Number
15	L17DPPK09TM
26	L17DPPK15TM
44	L17DPPK15TM
62	L17DPPK15TM



Plastic Metallized Hood – Side Entry



Specifications :

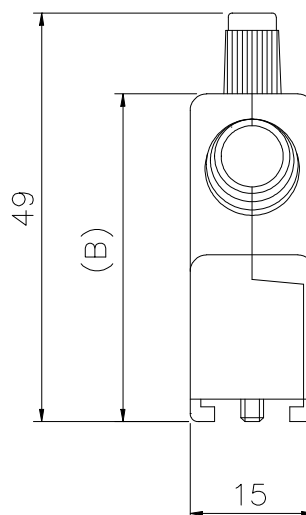
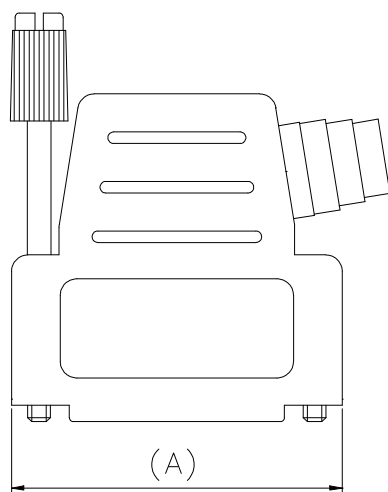
- Snap-in hood
- UNC #4-40 jackscrews
- Metallic cable clamp
- Cable diameter : up to 11,5 mm
- Attenuation factor : >40 dB between 30 MHz and 1 GHz

Materials :

Metallized thermoplastic UL rated

Dimensions :

Size	A	B
9	31,5	40,0
15	40,0	40,0
25	53,5	43,0
37	71,3	40,0

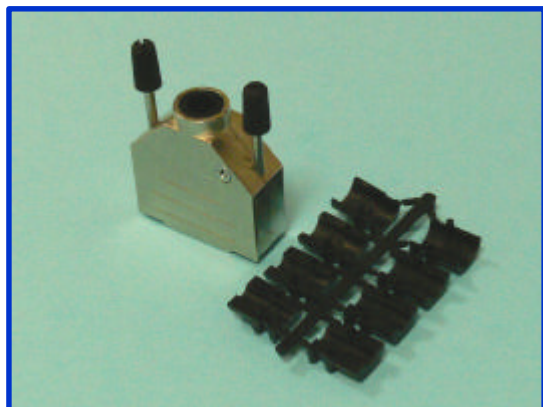


Part Numbers :

Size	Part Number
15	L17DSSK09TM
26	L17DSSK15TM
44	L17DSSK15TM
62	L17DSSK15TM



Metallic Hood – Top Entry

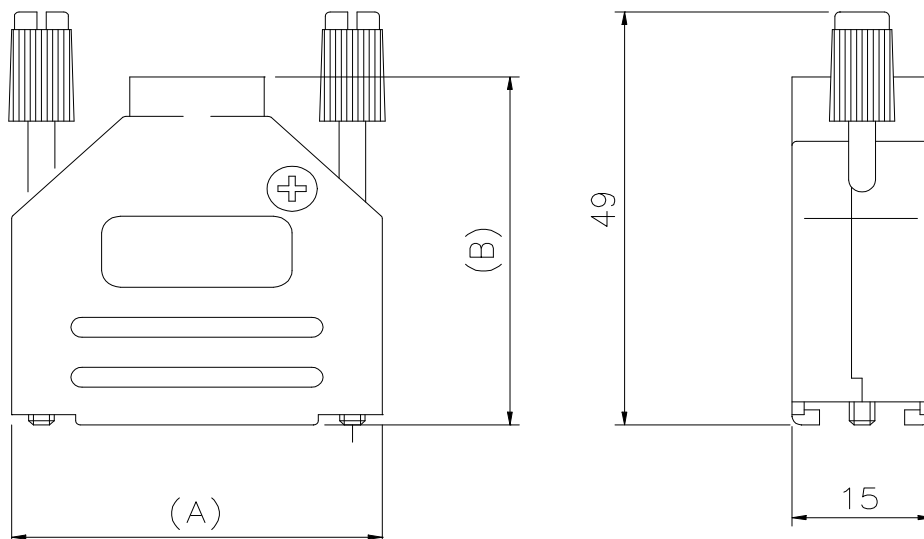


Specifications :
 2 piece screwed hood
 UNC #4-40 jackscrews
 Cable diameter : 4 to 13 mm
 Attenuation factor : >40 dB between 30 MHz and 1 GHz

Materials :
 Shells : Die cast zinc, nickel plated
 Cable strainrelief : steel fiber reinforced thermoplastic

Dimensions :

Size	A	B
9	21,0	38,3
15	39,5	40,5
25	54,4	47,3
37	70,9	52,2

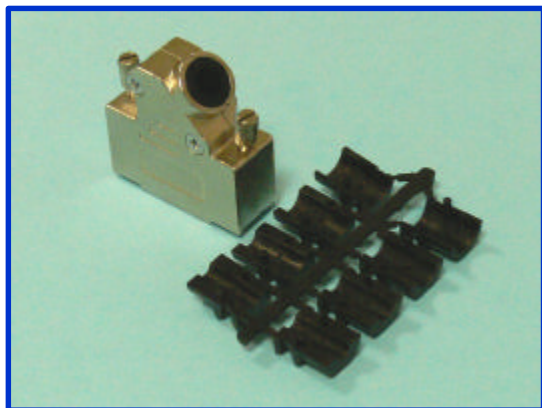


Part Numbers :

Size	Part Number
15	L17DTZK9K
26	L17DTZK15K
44	L17DTZK25K
62	L17DTZK37K



Metallic Hood – Side Entry



Specifications :

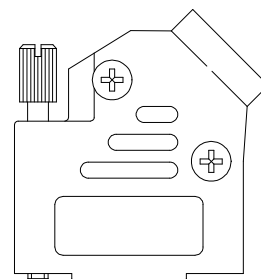
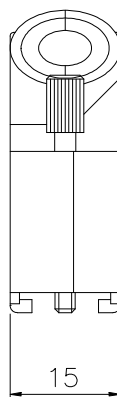
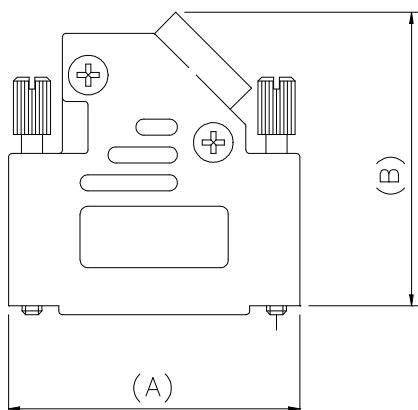
2 piece screwed hood
 UNC #4-40 jackscrews
 Cable diameter : 4 to 13 mm
 Attenuation factor : >40 dB between 30 MHz and 1 GHz

Materials :

Shells : Die cast zinc, nickel plated
 Cable strainrelief : steel fiber reinforced thermoplastic

Dimensions :

Size	A	B
9	31,0	36,2
15	39,5	40,2
25	53,2	40,2
37	69,7	40,2



Size 9 equipped with one screw

Part Numbers :

Size	Part Number
15	L17DVZK9K
26	L17DVZK15K
44	L17DVZK25K
62	L17DVZK37K



Part Number	Page	Part Number	Page	Part Number	Page
L117DAFRA15P	10	L177SDA15S1ACH3R	25	L177TSBG25SOL2RM5	17
L117DAFRA15S	11	L177SDA15S1ACH4F	27	L177TSBG25SOL2RM8	19
L117DBFRA25P	10	L177SDA15S1ACH4R	25	L177TSBH25SOL2RM5	17
L117DBFRA25S	11	L177SDA15SA4CH3F	23	L177TSBH25SOL2RM8	19
L117DCFRA37P	10	L177SDA15SA4CH3R	21	L177TSCG37SOL2RM5	17
L117DCFRA37S	11	L177SDA15SA4CH4F	23	L177TSCG37SOL2RM8	19
L117DEFRA09P	10	L177SDA15SA4CH4R	21	L177TSCH37SOL2RM5	17
L117DEFRA09S	11	L177SDAG15SOL2RM5	13	L177TSCH37SOL2RM8	19
L177HDA26S	29	L177SDAG15SOL2RM8	15	L177TSEG09SOL2RM5	17
L177HDA26SD1CH3F	41	L177SDAH15SOL2RM5	13	L177TSEG09SOL2RM8	19
L177HDA26SD1CH3R	39	L177SDAH15SOL2RM8	15	L177TSEH09SOL2RM5	17
L177HDA26SD1CH4F	41	L177SDB25S	5	L177TSEH09SOL2RM8	19
L177HDA26SD1CH4R	39	L177SDB25S1ACH3F	27	L17DAFRA15P	10
L177HDAG26SOL2RM5	35	L177SDB25S1ACH3R	25	L17DAFRA15PC309	10
L177HDAG26SOL2RM8	37	L177SDB25S1ACH4F	27	L17DAFRA15S	11
L177HDAH26SOL2RM5	35	L177SDB25S1ACH4R	25	L17DAFRA15SC309	11
L177HDAH26SOL2RM8	37	L177SDB25SA4CH3F	23	L17DBFRA25P	10
L177HDB44S	29	L177SDB25SA4CH3R	21	L17DBFRA25PC309	10
L177HDB44SD1CH3F	41	L177SDB25SA4CH4F	23	L17DBFRA25S	11
L177HDB44SD1CH3R	39	L177SDB25SA4CH4R	21	L17DBFRA25SC309	11
L177HDB44SD1CH4F	41	L177SDBG25SOL2RM5	13	L17DCFRA37P	10
L177HDB44SD1CH4R	39	L177SDBG25SOL2RM8	15	L17DCFRA37PC309	10
L177HDBG44SOL2RM5	35	L177SDBH25SOL2RM5	13	L17DCFRA37S	11
L177HDBG44SOL2RM8	37	L177SDBH25SOL2RM8	15	L17DCFRA37SC309	11
L177HDBH44SOL2RM5	35	L177SDC37S	5	L17DEFRA09P	10
L177HDBH44SOL2RM8	37	L177SDC37S1ACH3F	27	L17DEFRA09PC309	10
L177HDC62HS1CH3F	41	L177SDC37S1ACH3R	25	L17DEFRA09S	11
L177HDC62S	29	L177SDC37S1ACH4F	27	L17DEFRA09SC309	11
L177HDC62SD1CH3R	39	L177SDC37S1ACH4R	25	L17DPPK09JS	42
L177HDC62SD1CH4F	41	L177SDC37SA4CH3F	23	L17DPPK09TM	44
L177HDC62SD1CH4R	39	L177SDC37SA4CH3R	21	L17DPPK15JS	42
L177HDCG62SOL2RM5	35	L177SDC37SA4CH4F	23	L17DPPK15TM	44
L177HDCG62SOL2RM8	37	L177SDC37SA4CH4R	21	L17DPPK25JS	42
L177HDCH62SOL2RM5	35	L177SDCG37SOL2RM5	13	L17DPPK25TM	44
L177HDCH62SOL2RM8	37	L177SDCG37SOL2RM8	15	L17DPPK37JS	42
L177HDE15S	29	L177SDCH37SOL2RM5	13	L17DPPK37TM	44
L177HDE15SD1CH3F	41	L177SDCH37SOL2RM8	15	L17DSSK09TM	45
L177HDE15SD1CH3R	39	L177SDE09S	5	L17DSSK09TP	43
L177HDE15SD1CH4F	41	L177SDE09S1ACH3F	27	L17DSSK15TM	45
L177HDE15SD1CH4R	39	L177SDE09S1ACH3R	25	L17DSSK15TP	43
L177HDEG15SOL2RM5	35	L177SDE09S1ACH4F	27	L17DSSK25TM	45
L177HDEG15SOL2RM8	37	L177SDE09S1ACH4R	25	L17DSSK25TP	43
L177HDEH15SOL2RM5	35	L177SDE09SA4CH3F	23	L17DSSK37TM	45
L177HDEH15SOL2RM8	37	L177SDE09SA4CH3R	21	L17DSSK37TP	43
L177HRA15S	31	L177SDE09SA4CH4F	23	L17DTZK15K	46
L177HRB25S	31	L177SDE09SA4CH4R	21	L17DTZK25K	46
L177HRC37S	31	L177SDEG09SOL2RM5	13	L17DTZK37K	46
L177HRE09S	31	L177SDEG09SOL2RM8	15	L17DTZK9K	46
L177RRA15S	7	L177SDEH09SOL2RM5	13	L17DVZK15K	47
L177RRB25S	7	L177SDEH09SOL2RM8	15	L17DVZK25K	47
L177RRC37S	7	L177TSAG15SOL2RM5	17	L17DVZK37K	47
L177RRE09S	7	L177TSAG15SOL2RM8	19	L17DVZK9K	47
L177SDA15S	5	L177TSAH15SOL2RM5	17	L17HRD2F0110K	33
L177SDA15S1ACH3F	27	L177TSAH15SOL2RM8	19	L17HRD2F015K	33

Part Number	Page	Part Number	Page	Part Number	Page
L17HRD2F0210K	33	L17RRD1M04100	8	L17RRD2M112K	8
L17HRD2F025K	33	L17RRD1M0410K	8	L17RRD2M11400	8
L17HRD2F0410K	33	L17RRD1M042K	8	L17RRD2M12100	8
L17HRD2F045K	33	L17RRD1M04400	8	L17RRD2M1210K	8
L17HRD2F1110K	33	L17RRD1M11100	8	L17RRD2M122K	8
L17HRD2F115K	33	L17RRD1M1110K	8	L17RRD2M12400	8
L17HRD2F1210K	33	L17RRD1M112K	8	L17RRD2M14100	8
L17HRD2F125K	33	L17RRD1M11400	8	L17RRD2M1410K	8
L17HRD2F1410K	33	L17RRD1M12100	8	L17RRD2M142K	8
L17HRD2F145K	33	L17RRD1M1210K	8	L17RRD2M14400	8
L17HRD2M0110K	32	L17RRD1M122K	8	L717HDA26P	28
L17HRD2M015K	32	L17RRD1M12400	8	L717HDA26PC309	28
L17HRD2M0210K	32	L17RRD1M14100	8	L717HDA26PD1CH3F	40
L17HRD2M025K	32	L17RRD1M1410K	8	L717HDA26PD1CH3FC309	40
L17HRD2M0410K	32	L17RRD1M142K	8	L717HDA26PD1CH3R	38
L17HRD2M045K	32	L17RRD1M14400	8	L717HDA26PD1CH3RC309	38
L17HRD2M1110K	32	L17RRD2F01100	9	L717HDA26PD1CH4F	40
L17HRD2M115K	32	L17RRD2F0110K	9	L717HDA26PD1CH4FC309	40
L17HRD2M1210K	32	L17RRD2F012K	9	L717HDA26PD1CH4R	38
L17HRD2M125K	32	L17RRD2F01400	9	L717HDA26PD1CH4RC309	38
L17HRD2M1410K	32	L17RRD2F02100	9	L717HDAG26POL2RM5	34
L17HRD2M145K	32	L17RRD2F0210K	9	L717HDAG26POL2RM5C309	34
L17RRD1F01100	9	L17RRD2F022K	9	L717HDAG26POL2RM8	36
L17RRD1F0110K	9	L17RRD2F02400	9	L717HDAG26POL2RM8C309	36
L17RRD1F012K	9	L17RRD2F04100	9	L717HDAH26POL2RM5	34
L17RRD1F01400	9	L17RRD2F0410K	9	L717HDAH26POL2RM5C309	34
L17RRD1F02100	9	L17RRD2F042K	9	L717HDAH26POL2RM8	36
L17RRD1F0210K	9	L17RRD2F04400	9	L717HDAH26POL2RM8C309	36
L17RRD1F022K	9	L17RRD2F11100	9	L717HDB44P	28
L17RRD1F02400	9	L17RRD2F1110K	9	L717HDB44PC309	28
L17RRD1F04100	9	L17RRD2F112K	9	L717HDB44PD1CH3F	40
L17RRD1F0410K	9	L17RRD2F11400	9	L717HDB44PD1CH3FC309	40
L17RRD1F042K	9	L17RRD2F12100	9	L717HDB44PD1CH3R	38
L17RRD1F04400	9	L17RRD2F1210K	9	L717HDB44PD1CH3RC309	38
L17RRD1F11100	9	L17RRD2F122K	9	L717HDB44PD1CH4F	40
L17RRD1F1110K	9	L17RRD2F12400	9	L717HDB44PD1CH4FC309	40
L17RRD1F112K	9	L17RRD2F14100	9	L717HDB44PD1CH4R	38
L17RRD1F11400	9	L17RRD2F1410K	9	L717HDB44PD1CH4RC309	38
L17RRD1F12100	9	L17RRD2F142K	9	L717HDBG44POL2RM5	34
L17RRD1F1210K	9	L17RRD2F14400	9	L717HDBG44POL2RM5C309	34
L17RRD1F122K	9	L17RRD2M01100	8	L717HDBG44POL2RM8	36
L17RRD1F12400	9	L17RRD2M0110K	8	L717HDBG44POL2RM8C309	36
L17RRD1F14100	9	L17RRD2M012K	8	L717HDBH44POL2RM5	34
L17RRD1F1410K	9	L17RRD2M01400	8	L717HDBH44POL2RM5C309	34
L17RRD1F142K	9	L17RRD2M02100	8	L717HDBH44POL2RM8	36
L17RRD1F14400	9	L17RRD2M0210K	8	L717HDBH44POL2RM8C309	36
L17RRD1M01100	8	L17RRD2M022K	8	L717HDC62P	28
L17RRD1M0110K	8	L17RRD2M02400	8	L717HDC62PC309	28
L17RRD1M012K	8	L17RRD2M04100	8	L717HDC62PD1CH3F	40
L17RRD1M01400	8	L17RRD2M0410K	8	L717HDC62PD1CH3FC309	40
L17RRD1M02100	8	L17RRD2M042K	8	L717HDC62PD1CH3R	38
L17RRD1M0210K	8	L17RRD2M04400	8	L717HDC62PD1CH3RC309	38
L17RRD1M022K	8	L17RRD2M11100	8	L717HDC62PD1CH4F	40
L17RRD1M02400	8	L17RRD2M1110K	8	L717HDC62PD1CH4FC309	40

Part Number	Page	Part Number	Page	Part Number	Page
L717HDC62PD1CH4R	38	L717SDB25P	4	L717SDE09P1ACH3FC309	26
L717HDC62PD1CH4RC309	38	L717SDB25P1ACH3F	26	L717SDE09P1ACH3R	24
L717HDCG62POL2RM5	34	L717SDB25P1ACH3FC309	26	L717SDE09P1ACH3RC309	24
L717HDCG62POL2RM5C309	34	L717SDB25P1ACH3R	24	L717SDE09P1ACH4F	26
L717HDCG62POL2RM8	36	L717SDB25P1ACH3RC309	24	L717SDE09P1ACH4FC309	26
L717HDCG62POL2RM8C309	36	L717SDB25P1ACH4F	26	L717SDE09P1ACH4R	24
L717HDCH62POL2RM5	34	L717SDB25P1ACH4FC309	26	L717SDE09P1ACH4RC309	24
L717HDCH62POL2RM5C309	34	L717SDB25P1ACH4R	24	L717SDE09PA4CH3F	22
L717HDCH62POL2RM8	36	L717SDB25P1ACH4RC309	24	L717SDE09PA4CH3FC309	22
L717HDCH62POL2RM8C309	36	L717SDB25PA4CH3F	22	L717SDE09PA4CH3R	20
L717HDE15P	28	L717SDB25PA4CH3FC309	22	L717SDE09PA4CH3RC309	20
L717HDE15PC309	28	L717SDB25PA4CH3R	20	L717SDE09PA4CH4F	22
L717HDE15PD1CH3F	40	L717SDB25PA4CH3RC309	20	L717SDE09PA4CH4FC309	22
L717HDE15PD1CH3FC309	40	L717SDB25PA4CH4F	22	L717SDE09PA4CH4R	20
L717HDE15PD1CH3R	38	L717SDB25PA4CH4FC309	22	L717SDE09PA4CH4RC309	20
L717HDE15PD1CH3RC309	38	L717SDB25PA4CH4R	20	L717SDE09PC309	4
L717HDE15PD1CH4F	40	L717SDB25PA4CH4RC309	20	L717SDEG09POL2RM5	12
L717HDE15PD1CH4FC309	40	L717SDB25PC309	4	L717SDEG09POL2RM5C309	12
L717HDE15PD1CH4R	38	L717SDBG25POL2RM5	12	L717SDEG09POL2RM8	14
L717HDE15PD1CH4RC309	38	L717SDBG25POL2RM5C309	12	L717SDEG09POL2RM8C309	14
L717HDEG15POL2RM5	34	L717SDBG25POL2RM8	14	L717SDEH09POL2RM5	12
L717HDEG15POL2RM5C309	34	L717SDBG25POL2RM8C309	14	L717SDEH09POL2RM5C309	12
L717HDEG15POL2RM8	36	L717SDBH25POL2RM5	12	L717SDEH09POL2RM8	14
L717HDEG15POL2RM8C309	36	L717SDBH25POL2RM5C309	12	L717SDEH09POL2RM8C309	14
L717HDEH15POL2RM5	34	L717SDBH25POL2RM8	14	L717TSAG15POL2RM5	16
L717HDEH15POL2RM5C309	34	L717SDBH25POL2RM8C309	14	L717TSAG15POL2RM5C309	16
L717HDEH15POL2RM8	36	L717SDC37P	4	L717TSAG15POL2RM8	18
L717HDEH15POL2RM8C309	36	L717SDC37P1ACH3F	26	L717TSAG15POL2RM8C309	18
L717SDA15P	4	L717SDC37P1ACH3FC309	26	L717TSAH15POL2RM5	16
L717SDA15P1ACH3F	26	L717SDC37P1ACH3R	24	L717TSAH15POL2RM5C309	16
L717SDA15P1ACH3FC309	26	L717SDC37P1ACH3RC309	24	L717TSAH15POL2RM8	18
L717SDA15P1ACH3R	24	L717SDC37P1ACH4F	26	L717TSAH15POL2RM8C309	18
L717SDA15P1ACH3RC309	24	L717SDC37P1ACH4FC309	26	L717TSBG25POL2RM5	16
L717SDA15P1ACH4F	26	L717SDC37P1ACH4R	24	L717TSBG25POL2RM5C309	16
L717SDA15P1ACH4FC309	26	L717SDC37P1ACH4RC309	24	L717TSBG25POL2RM8	18
L717SDA15P1ACH4R	24	L717SDC37PA4CH3F	22	L717TSBG25POL2RM8C309	18
L717SDA15P1ACH4RC309	24	L717SDC37PA4CH3FC309	22	L717TSBH25POL2RM5	16
L717SDA15PA4CH3F	22	L717SDC37PA4CH3R	20	L717TSBH25POL2RM5C309	16
L717SDA15PA4CH3FC309	22	L717SDC37PA4CH3RC309	20	L717TSBH25POL2RM8	18
L717SDA15PA4CH3R	20	L717SDC37PA4CH4F	22	L717TSBH25POL2RM8C309	18
L717SDA15PA4CH3RC309	20	L717SDC37PA4CH4FC309	22	L717TSCG37POL2RM5	16
L717SDA15PA4CH4F	22	L717SDC37PA4CH4R	20	L717TSCG37POL2RM5C309	16
L717SDA15PA4CH4FC309	22	L717SDC37PA4CH4RC309	20	L717TSCG37POL2RM8	18
L717SDA15PA4CH4R	20	L717SDC37PC309	4	L717TSCG37POL2RM8C309	18
L717SDA15PA4CH4RC309	20	L717SDCG37POL2RM5	12	L717TSCH37POL2RM5	16
L717SDA15PC309	4	L717SDCG37POL2RM5C309	12	L717TSCH37POL2RM5C309	16
L717SDAG15POL2RM5	12	L717SDCG37POL2RM8	14	L717TSCH37POL2RM8	18
L717SDAG15POL2RM5C309	12	L717SDCG37POL2RM8C309	14	L717TSCH37POL2RM8C309	18
L717SDAG15POL2RM8	14	L717SDCH37POL2RM5	12	L717TSEG09POL2RM5	16
L717SDAG15POL2RM8C309	14	L717SDCH37POL2RM5C309	12	L717TSEG09POL2RM5C309	16
L717SDAH15POL2RM5	12	L717SDCH37POL2RM8	14	L717TSEG09POL2RM8	18
L717SDAH15POL2RM5C309	12	L717SDCH37POL2RM8C309	14	L717TSEG09POL2RM8C309	18
L717SDAH15POL2RM8	14	L717SDE09P	4	L717TSEH09POL2RM5	16
L717SDAH15POL2RM8C309	14	L717SDE09P1ACH3F	26	L717TSEH09POL2RM5C309	16

Part Number	Page	Part Number	Page	Part Number	Page
L717TSEH09POL2RM8	18	L777SDA15PA4CH4R	20	L777TSCH37POL2RM5	16
L717TSEH09POL2RM8C309	18	L777SDAG15POL2RM5	12	L777TSCH37POL2RM8	18
L777HDA26P	28	L777SDAG15POL2RM8	14	L777TSEG09POL2RM5	16
L777HDA26PD1CH3F	40	L777SDAH15POL2RM5	12	L777TSEG09POL2RM8	18
L777HDA26PD1CH3R	38	L777SDAH15POL2RM8	14	L777TSEH09POL2RM5	16
L777HDA26PD1CH4F	40	L777SDB25P	4	L777TSEH09POL2RM8	18
L777HDA26PD1CH4R	38	L777SDB25P1ACH3F	26	L77HDA26S	29
L777HDAG26POL2RM5	34	L777SDB25P1ACH3R	24	L77HDA26SC309	29
L777HDAG26POL2RM8	36	L777SDB25P1ACH4F	26	L77HDA26SD1CH3F	41
L777HDAH26POL2RM5	34	L777SDB25P1ACH4R	24	L77HDA26SD1CH3FC309	41
L777HDAH26POL2RM8	36	L777SDB25PA4CH3F	22	L77HDA26SD1CH3R	39
L777HDB44P	28	L777SDB25PA4CH3R	20	L77HDA26SD1CH3RC309	39
L777HDB44PD1CH3F	40	L777SDB25PA4CH4F	22	L77HDA26SD1CH4F	41
L777HDB44PD1CH3R	38	L777SDB25PA4CH4R	20	L77HDA26SD1CH4FC309	41
L777HDB44PD1CH4F	40	L777SDBG25POL2RM5	12	L77HDA26SD1CH4R	39
L777HDB44PD1CH4R	38	L777SDBG25POL2RM8	14	L77HDA26SD1CH4RC309	39
L777HDBG44POL2RM5	34	L777SDBH25POL2RM5	12	L77HDAG26SOL2RM5	35
L777HDBG44POL2RM8	36	L777SDBH25POL2RM8	14	L77HDAG26SOL2RM5C309	35
L777HDBH44POL2RM5	34	L777SDC37P	4	L77HDAG26SOL2RM8	37
L777HDBH44POL2RM8	36	L777SDC37P1ACH3F	26	L77HDAG26SOL2RM8C309	37
L777HDC62P	28	L777SDC37P1ACH3R	24	L77HDAH26SOL2RM5	35
L777HDC62PD1CH3F	40	L777SDC37P1ACH4F	26	L77HDAH26SOL2RM5C309	35
L777HDC62PD1CH3R	38	L777SDC37P1ACH4R	24	L77HDAH26SOL2RM8	37
L777HDC62PD1CH4F	40	L777SDC37PA4CH3F	22	L77HDAH26SOL2RM8C309	37
L777HDC62PD1CH4R	38	L777SDC37PA4CH3R	20	L77HDB44S	29
L777HDCG62POL2RM5	34	L777SDC37PA4CH4F	22	L77HDB44SC309	29
L777HDCG62POL2RM8	36	L777SDC37PA4CH4R	20	L77HDB44SD1CH3F	41
L777HDCH62POL2RM5	34	L777SDCG37POL2RM5	12	L77HDB44SD1CH3FC309	41
L777HDCH62POL2RM8	36	L777SDCG37POL2RM8	14	L77HDB44SD1CH3R	39
L777HDE15P	28	L777SDCH37POL2RM5	12	L77HDB44SD1CH3RC309	39
L777HDE15PD1CH3F	40	L777SDCH37POL2RM8	14	L77HDB44SD1CH4F	41
L777HDE15PD1CH3R	38	L777SDE09P	4	L77HDB44SD1CH4FC309	41
L777HDE15PD1CH4F	40	L777SDE09P1ACH3F	26	L77HDB44SD1CH4R	39
L777HDE15PD1CH4R	38	L777SDE09P1ACH3R	24	L77HDB44SD1CH4RC309	39
L777HDEG15POL2RM5	34	L777SDE09P1ACH4F	26	L77HDBG44SOL2RM5	35
L777HDEG15POL2RM8	36	L777SDE09P1ACH4R	24	L77HDBG44SOL2RM5C309	35
L777HDEH15POL2RM5	34	L777SDE09PA4CH3F	22	L77HDBG44SOL2RM8	37
L777HDEH15POL2RM8	36	L777SDE09PA4CH3R	20	L77HDBG44SOL2RM8C309	37
L777HRA15P	30	L777SDE09PA4CH4F	22	L77HDBH44SOL2RM5	35
L777HRB25P	30	L777SDE09PA4CH4R	20	L77HDBH44SOL2RM5C309	35
L777HRC37P	30	L777SDEG09POL2RM5	12	L77HDBH44SOL2RM8	37
L777HRE09P	30	L777SDEG09POL2RM8	14	L77HDBH44SOL2RM8C309	37
L777RRA15P	6	L777SDEH09POL2RM5	12	L77HDC62S	29
L777RRB25P	6	L777SDEH09POL2RM8	14	L77HDC62SC309	29
L777RRC37P	6	L777TSAG15POL2RM5	16	L77HDC62SD1CH3F	41
L777RRE09P	6	L777TSAG15POL2RM8	18	L77HDC62SD1CH3FC309	41
L777SDA15P	4	L777TSAH15POL2RM5	16	L77HDC62SD1CH3R	39
L777SDA15P1ACH3F	26	L777TSAH15POL2RM8	18	L77HDC62SD1CH3RC309	39
L777SDA15P1ACH3R	24	L777TSBG25POL2RM5	16	L77HDC62SD1CH4F	41
L777SDA15P1ACH4F	26	L777TSBG25POL2RM8	18	L77HDC62SD1CH4FC309	41
L777SDA15P1ACH4R	24	L777TSBH25POL2RM5	16	L77HDC62SD1CH4R	39
L777SDA15PA4CH3F	22	L777TSBH25POL2RM8	18	L77HDC62SD1CH4RC309	39
L777SDA15PA4CH3R	20	L777TSCG37POL2RM5	16	L77HDCG62SOL2RM5	35
L777SDA15PA4CH4F	22	L777TSCG37POL2RM8	18	L77HDCG62SOL2RM5C309	35

Part Number	Page	Part Number	Page	Part Number	Page
L77HDCG62SOL2RM8	37	L77SDB25S1ACH3RC309	25	L77SDE09S1ACH4FC309	27
L77HDCG62SOL2RM8C309	37	L77SDB25S1ACH4F	27	L77SDE09S1ACH4R	25
L77HDCH62SOL2RM5	35	L77SDB25S1ACH4FC309	27	L77SDE09S1ACH4RC309	25
L77HDCH62SOL2RM5C309	35	L77SDB25S1ACH4R	25	L77SDE09SA4CH3F	23
L77HDCH62SOL2RM8	37	L77SDB25S1ACH4RC309	25	L77SDE09SA4CH3FC309	23
L77HDCH62SOL2RM8C309	37	L77SDB25SA4CH3F	23	L77SDE09SA4CH3R	21
L77HDE15S	29	L77SDB25SA4CH3FC309	23	L77SDE09SA4CH3RC309	21
L77HDE15SC309	29	L77SDB25SA4CH3R	21	L77SDE09SA4CH4F	23
L77HDE15SD1CH3F	41	L77SDB25SA4CH3RC309	21	L77SDE09SA4CH4FC309	23
L77HDE15SD1CH3FC309	41	L77SDB25SA4CH4F	23	L77SDE09SA4CH4R	21
L77HDE15SD1CH3R	39	L77SDB25SA4CH4FC309	23	L77SDE09SA4CH4RC309	21
L77HDE15SD1CH3RC309	39	L77SDB25SA4CH4R	21	L77SDE09SC309	5
L77HDE15SD1CH4F	41	L77SDB25SA4CH4RC309	21	L77SDEG09SOL2RM5	13
L77HDE15SD1CH4FC309	41	L77SDB25SC309	5	L77SDEG09SOL2RM5C309	13
L77HDE15SD1CH4R	39	L77SDBG25SOL2RM5	13	L77SDEG09SOL2RM8	15
L77HDE15SD1CH4RC309	39	L77SDBG25SOL2RM5C309	13	L77SDEG09SOL2RM8C309	15
L77HDEG15SOL2RM5	35	L77SDBG25SOL2RM8	15	L77SDEH09SOL2RM5	13
L77HDEG15SOL2RM5C309	35	L77SDBG25SOL2RM8C309	15	L77SDEH09SOL2RM5C309	13
L77HDEG15SOL2RM8	37	L77SDBH25SOL2RM5	13	L77SDEH09SOL2RM8	15
L77HDEG15SOL2RM8C309	37	L77SDBH25SOL2RM5C309	13	L77SDEH09SOL2RM8C309	15
L77HDEH15SOL2RM5	35	L77SDBH25SOL2RM8	15	L77TSAG15SOL2RM5	17
L77HDEH15SOL2RM5C309	35	L77SDBH25SOL2RM8C309	15	L77TSAG15SOL2RM5C309	17
L77HDEH15SOL2RM8	37	L77SDC37S	5	L77TSAG15SOL2RM8	19
L77HDEH15SOL2RM8C309	37	L77SDC37S1ACH3F	27	L77TSAG15SOL2RM8C309	19
L77SDA15S	5	L77SDC37S1ACH3FC309	27	L77TSAH15SOL2RM5	17
L77SDA15S1ACH3F	27	L77SDC37S1ACH3R	25	L77TSAH15SOL2RM5C309	17
L77SDA15S1ACH3FC309	27	L77SDC37S1ACH3RC309	25	L77TSAH15SOL2RM8	19
L77SDA15S1ACH3R	25	L77SDC37S1ACH4F	27	L77TSAH15SOL2RM8C309	19
L77SDA15S1ACH3RC309	25	L77SDC37S1ACH4FC309	27	L77TSBG25SOL2RM5	17
L77SDA15S1ACH4F	27	L77SDC37S1ACH4R	25	L77TSBG25SOL2RM5C309	17
L77SDA15S1ACH4FC309	27	L77SDC37S1ACH4RC309	25	L77TSBG25SOL2RM8	19
L77SDA15S1ACH4R	25	L77SDC37SA4CH3F	23	L77TSBG25SOL2RM8C309	19
L77SDA15S1ACH4RC309	25	L77SDC37SA4CH3FC309	23	L77TSBH25SOL2RM5	17
L77SDA15SA4CH3F	23	L77SDC37SA4CH3R	21	L77TSBH25SOL2RM5C309	17
L77SDA15SA4CH3FC309	23	L77SDC37SA4CH3RC309	21	L77TSBH25SOL2RM8	19
L77SDA15SA4CH3R	21	L77SDC37SA4CH4F	23	L77TSBH25SOL2RM8C309	19
L77SDA15SA4CH3RC309	21	L77SDC37SA4CH4FC309	23	L77TSCG37SOL2RM5	17
L77SDA15SA4CH4F	23	L77SDC37SA4CH4R	21	L77TSCG37SOL2RM5C309	19
L77SDA15SA4CH4FC309	23	L77SDC37SA4CH4RC309	21	L77TSCG37SOL2RM8	19
L77SDA15SA4CH4R	21	L77SDC37SC309	5	L77TSCG37SOL2RM8C309	19
L77SDA15SA4CH4RC309	21	L77SDCG37SOL2RM5	13	L77TSCH37SOL2RM5	17
L77SDA15SC309	5	L77SDCG37SOL2RM5C309	13	L77TSCH37SOL2RM5C309	19
L77SDAG15SOL2RM5	13	L77SDCG37SOL2RM8	15	L77TSCH37SOL2RM8	19
L77SDAG15SOL2RM5C309	13	L77SDCG37SOL2RM8C309	15	L77TSCH37SOL2RM8C309	19
L77SDAG15SOL2RM8	15	L77SDCH37SOL2RM5	13	L77TSEG09SOL2RM5	17
L77SDAG15SOL2RM8C309	15	L77SDCH37SOL2RM5C309	13	L77TSEG09SOL2RM5C309	17
L77SDAH15SOL2RM5	13	L77SDCH37SOL2RM8	15	L77TSEG09SOL2RM8	19
L77SDAH15SOL2RM5C309	13	L77SDCH37SOL2RM8C309	15	L77TSEG09SOL2RM8C309	19
L77SDAH15SOL2RM8	15	L77SDE09S	5	L77TSEH09SOL2RM5	17
L77SDAH15SOL2RM8C309	15	L77SDE09S1ACH3F	27	L77TSEH09SOL2RM5C309	17
L77SDB25S	5	L77SDE09S1ACH3FC309	27	L77TSEH09SOL2RM8	19
L77SDB25S1ACH3F	27	L77SDE09S1ACH3R	25	L77TSEH09SOL2RM8C309	19
L77SDB25S1ACH3FC309	27	L77SDE09S1ACH3RC309	25		
L77SDB25S1ACH3R	25	L77SDE09S1ACH4F	27		

Amphenol
InfoCom Europe

P.O. Box 63, 3990 DB Houten
Hoofdveste 19
3992 DH Houten
the Netherlands

Tel : 31 (0)30 635 8000
Fax : +31 (0)30 637 7899

E-mail : info@amphenol-nl.com
www.amphenol-online.com

Amphenol