

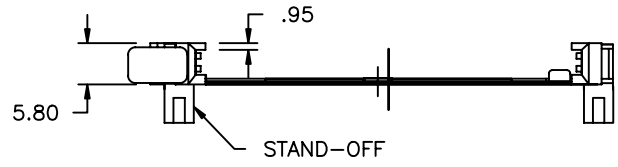
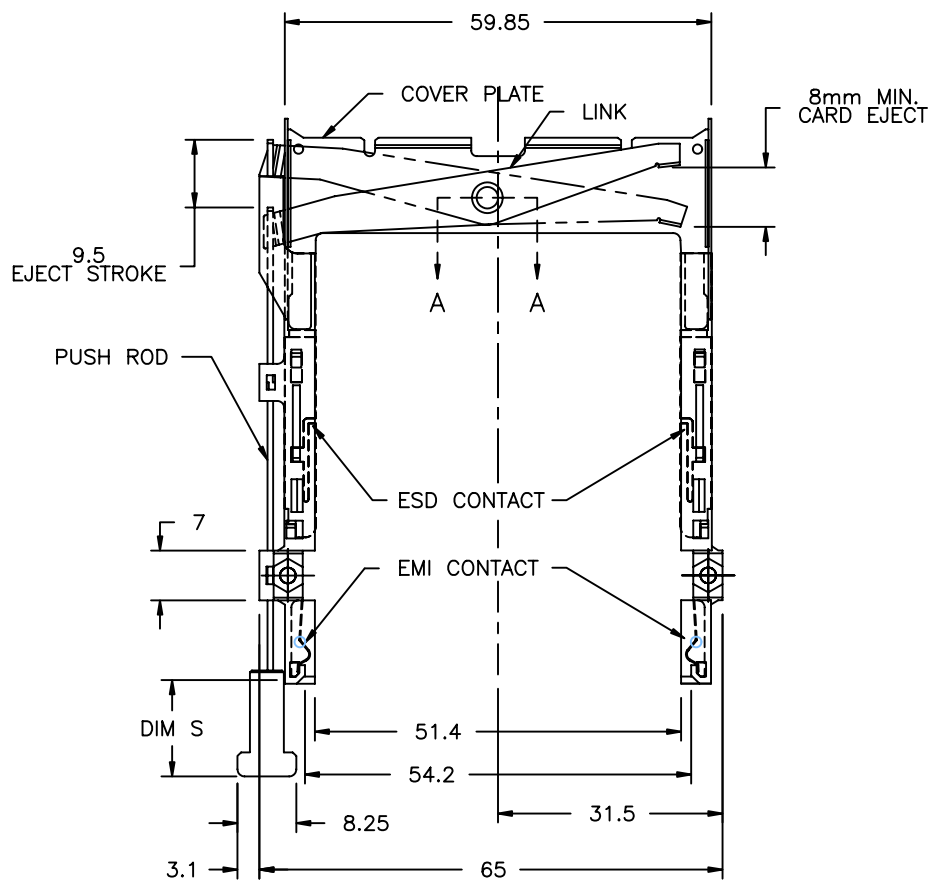
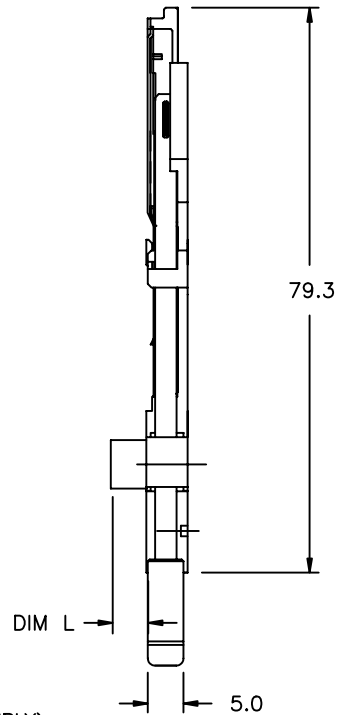
FCI CONFIDENTIAL

FCI

This document is the property of and embodies CONFIDENTIAL and PROPRIETARY information of FCI. No part of the information shown on this document may be used in any way or disclosed to others without the written consent of FCI. Copyright FCI.

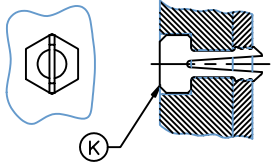
1 | 2 | 3 | 4 | 5 | 6

PRODUCT NO. NOTE ①		DIM L	DIM S
72336-100CA	72336-100CALF	0	13
72336-122CA	72336-122CALF	2.2	
72336-143CA	72336-143CALF	4.3	
72336-150CA	72336-150CALF	5	
72336-100DA	72336-100DALF	0	15.6
72336-122DA	72336-122DALF	2.2	
72336-143DA	72336-143DALF	4.3	
72336-150DA	72336-150DALF	5	
72336-100FA	72336-100FALF	0	21
72336-122FA	72336-122FALF	2.2	
72336-143FA	72336-143FALF	4.3	
72336-150FA	72336-150FALF	5	



NOTES:

① ADD "H" TO PART NUMBER FOR OPTIONAL HOLD DOWN (2 PER ASSEMBLY).



2. LINK TO MOVE ALONG INSIDE WALL OF COVER PLATE SMOOTHLY AFTER ASSEMBLING WITH HEADER.

3. MATERIAL:
 PLASTIC GUIDES: POLYPHTHARAMIDE UL94V-0
 COLOR: BLACK
 COVER PLATE: STAINLESS STEEL
 EMI CONTACT: PHOSPHOR BRONZE

4. FINISH:
 EMI CONTACT: CONTACT AREA: 0.5um Au
 UNDER PLATING: 2.0um Ni

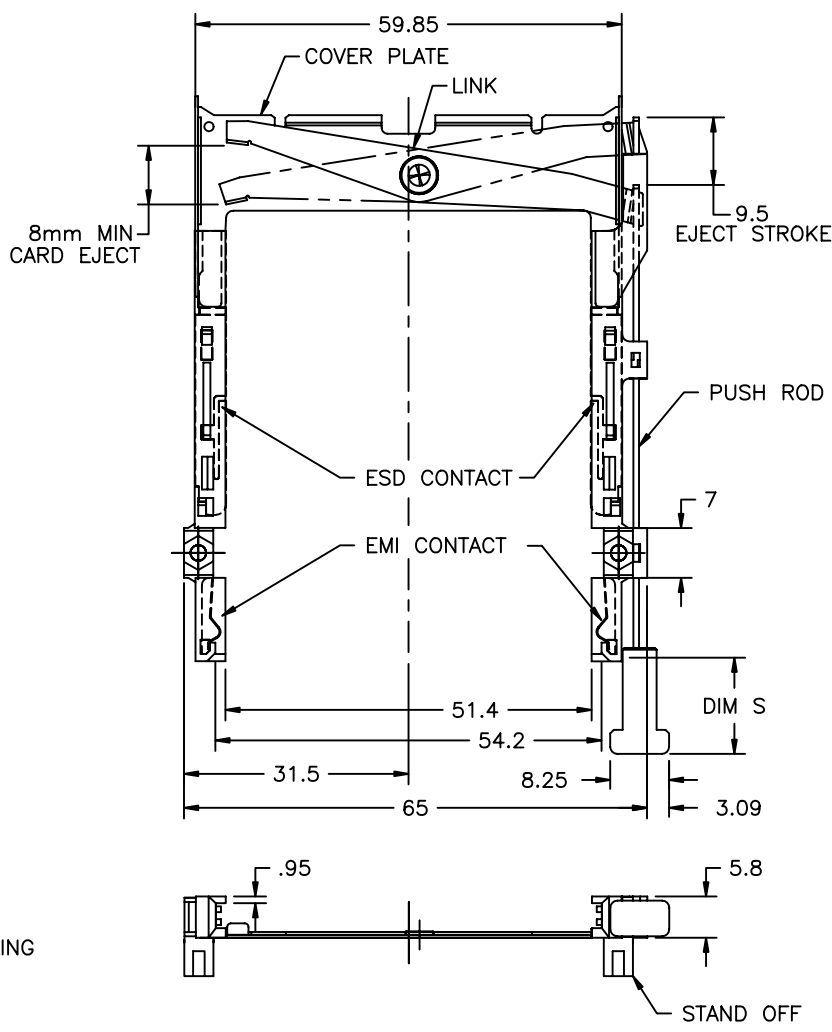
5. RECOMMENDED SCREW TORQUE:
 1.0-1.5 MAX IN-LBS(1.2-1.7 CM-KGS)

mat'l. code		surface		tolerance		projection		product family	
		ISO 1302		ISO 406 ISO 1101		MM		PCMCIA	
ltr	ecn no	dr	date	tolerances unless otherwise specified				title	
C	T70090	RHG	4/28/97	angles	.X±.3		NARROW BODY FRONT EJECT		
D	V12231	TFG	9/19/01	linear	.XX±.13		CARDBUS MECHANISM ASSEMBLY		
E	N06-0188	MZ	07/12/06	±2'	.XXX±.051		scale		
F	N08-0060	MZ	6/20/08	dr	Mike Zhou	07/11/06	dwg no		sheet 1 of 3 size
				enr	Mike Zhou	07/11/06	72336		A4
				chr	Qin David	07/11/06	type		CUSTOMER Drawing
				appd	Jack Wang	07/11/06			
sheet	revision	F	F	F					
index	sheet	1	2	3					

FCI CONFIDENTIAL

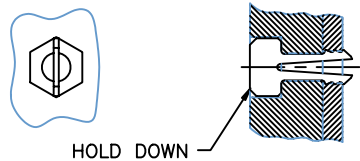
FCI
FCIconnect.com
This document is the property of and embodies CONFIDENTIAL and PROPRIETARY information of FCI. No part of the information shown on this document may be used in any way or disclosed to others without the written consent of FCI.
Copyright FCI

PRODUCT NO. NOTE ①		DIM L	DIM S
72336-000CA	72336-000CALF	0	13
72336-022CA	72336-022CALF	2.2	
72336-043CA	72336-043CALF	4.3	
72336-050CA	72336-050CALF	5	15.6
72336-000DA	72336-000DALF	0	
72336-022DA	72336-022DALF	2.2	
72336-043DA	72336-043DALF	4.3	
72336-050DA	72336-050DALF	5	
72336-000FA	72336-000FALF	0	21
72336-022FA	72336-022FALF	2.2	
72336-043FA	72336-043FALF	4.3	
72336-050FA	72336-050FALF	5	



NOTES:

① ADD "H" TO PART NUMBER FOR OPTIONAL HOLD DOWN (2 PER ASSEMBLY).

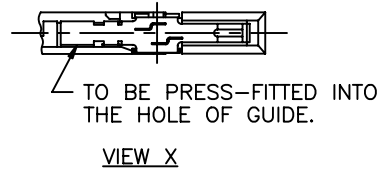


- LINK TO MOVE ALONG INSIDE WALL OF COVER PLATE SMOOTHLY AFTER ASSEMBLING WITH HEADER.
- MATERIAL:
PLASTIC GUIDES: POLYPHTHARAMIDE UL94V-0
COLOR: BLACK
COVER PLATE: STAINLESS STEEL
EMI CONTACT: PHOSPHOR BRONZE
- FINISH:
EMI CONTACT: CONTACT AREA: 0.5um Au
UNDER PLATING: 2.0um Ni
- RECOMMENDED SCREW TORQUE:
1.0-1.5 MAX IN-LBS(1.2-1.7 CM-KGS)

mat'l. code		surface	tolerance	projection	product family
		ISO 1302	ISO 406 ISO 1101		PCMCIA
ltr	ecn no	dr	date	tolerances unless otherwise specified	title
F				angles linear .X±.3 .XX±.13 ±2' .XXX±.051	NARROW BODY FRONT EJECT CARDBUS MECHANISM ASSEMBLY
					MM
					scale
			dr	Mike Zhou	07/11/06
			enr	Mike Zhou	07/11/06
			chr	Qin David	07/11/06
			appd	Jack Wang	07/11/06
					FCI
sheet index		revision sheet			dwg no
					72336
					sheet 2 of 3 size
					A4
					type CUSTOMER Drawing

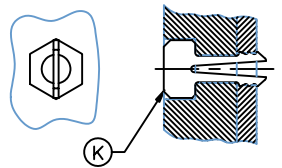
FCI CONFIDENTIAL

NOTE ①	PRODUCT NO.	① STAND-OFF PART NUM.	DIM L	DIM S	④ BUTTON PART NUM.	DIM M
72336-101CA	72336-100CALF	NONE	0	28.0	52211-002	103.05
72336-151CA	72336-150CALF	92706-005	5			



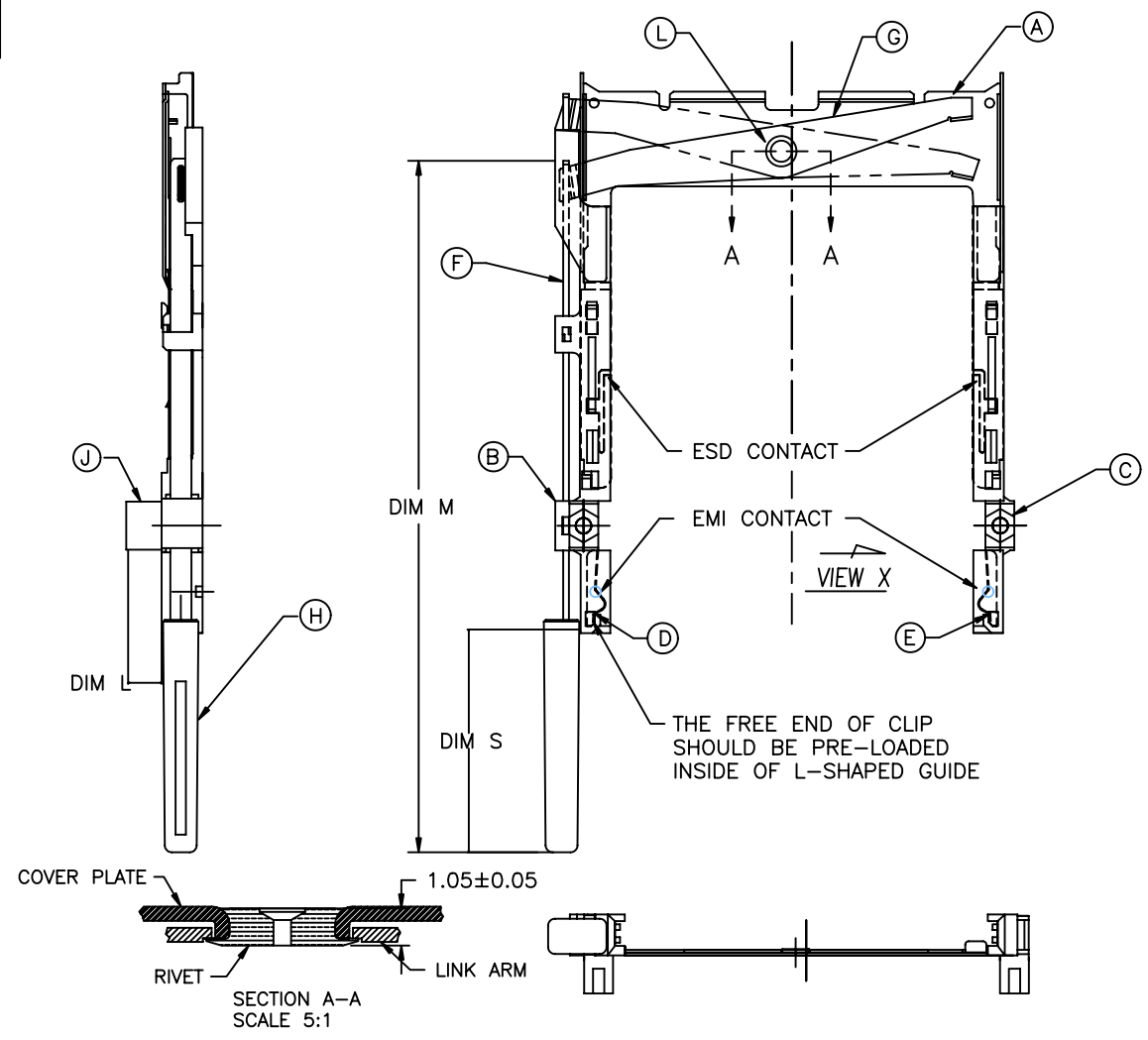
NOTES:

① ADD "H" TO PART NUMBER FOR OPTIONAL HOLD DOWN (2 PER ASSEMBLY).



PART NO.	STAND-OFF
93925-001	0mm
93925-002	2.2mm
93925-003	4.3mm
93925-004	5mm

2. PACKAGING SPECIFICATION: GS-14-382



①	DESCRIPTION	P/N	Q'TY
①	RIVET	61723-002	1
②	HOLD-DOWN	SEE NOTE 1	2
③	STAND-OFF	SEE TABLE ABOVE	2
④	BUTTON	SEE TABLE ABOVE	1
⑤	LINK ARM	72227-001	1
⑥	PUSH ROD	95081-001	1
⑦	CLIP RIGHT	94836-110M	1
⑧	CLIP LEFT	94837-110M	1
⑨	RIGHT GUIDE	71731-002	1
⑩	LEFT GUIDE	71730-001	1
⑪	COVER PLATE	72228-001	1

No. DESCRIPTION P/N Q'TY

72336-1XXXX

mat'l. code		surface	tolerance	projection	product family
		ISO 1302	ISO 406 ISO 1101		PCMCIA
ltr	ecm no	dr	date	title	
F				NARROW BODY FRONT EJECT CARDBUS MECHANISM ASSEMBLY	
		tolerances unless otherwise specified		dwg no	
		angles	.X±.3	sheet 3of 3 size	
		linear	.XX±.13	A4	
		±2'	.XXX±.051	72336	
		dr	Mike Zhou 07/11/06	type CUSTOMER Drawing	
		enr	Mike Zhou 07/11/06		
		chr	Qin David 07/11/06		
		appd	Jack Wang 07/11/06		
sheet	revision				
index	sheet				