

THIS DRAWING IS UNPUBLISHED.

RELEASED FOR PUBLICATION

© COPYRIGHT - By -

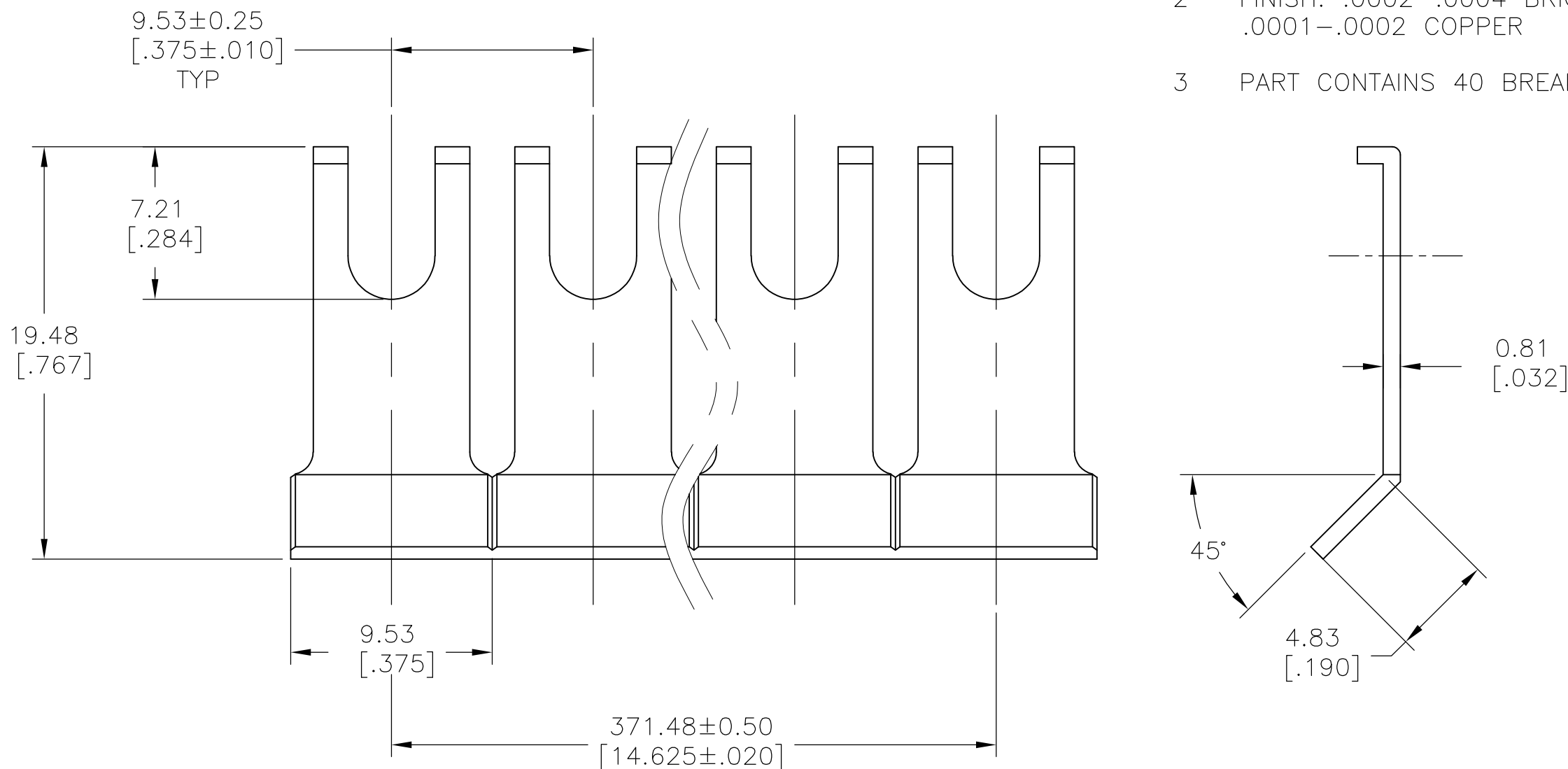
ALL RIGHTS RESERVED.

LOC FT 0 DIST

REVISIONS

P	LTR	DESCRIPTION	DATE	DWN	APVD
	C	REVISED PER ECO-13-017509	08NOV2013	KH	MB

- 1 MATERIAL: BRASS
- 2 FINISH: .0002-.0004 BRIGHT TIN OVER .0001-.0002 COPPER
- 3 PART CONTAINS 40 BREAK-AWAY POSITIONS.



PKG FOR SALE	J6240	5-1437418-5
NOTES	CATALOG NO.	PART NUMBER

THIS DRAWING IS A CONTROLLED DOCUMENT.		DWN KIRAN HOLAL 30MAR2013	<b>STE</b> TE Connectivity	
DIMENSIONS: mm [INCHES]		CHK MARK BRUBAKER 30MAR2013		
TOLERANCES UNLESS OTHERWISE SPECIFIED:		APVD MARK BRUBAKER 30MAR2013	NAME 3/8 AROUND BARRIER FLANGED SPADE TYPE JUMPER	
0 PLC ± -		PRODUCT SPEC	SIZE	
1 PLC ± -		APPLICATION SPEC	CAGE CODE	
2 PLC ± 0.50 [.020]		WEIGHT	DRAWING NO	
3 PLC ± 0.38 [.015]		CUSTOMER DRAWING	RESTRICTED TO	
4 PLC ± -			A3 00779 C-5-1437418-5	
ANGLES ± 1°			SCALE 10:1 SHEET 1 OF 1 REV C	
MATERIAL				
FINISH				