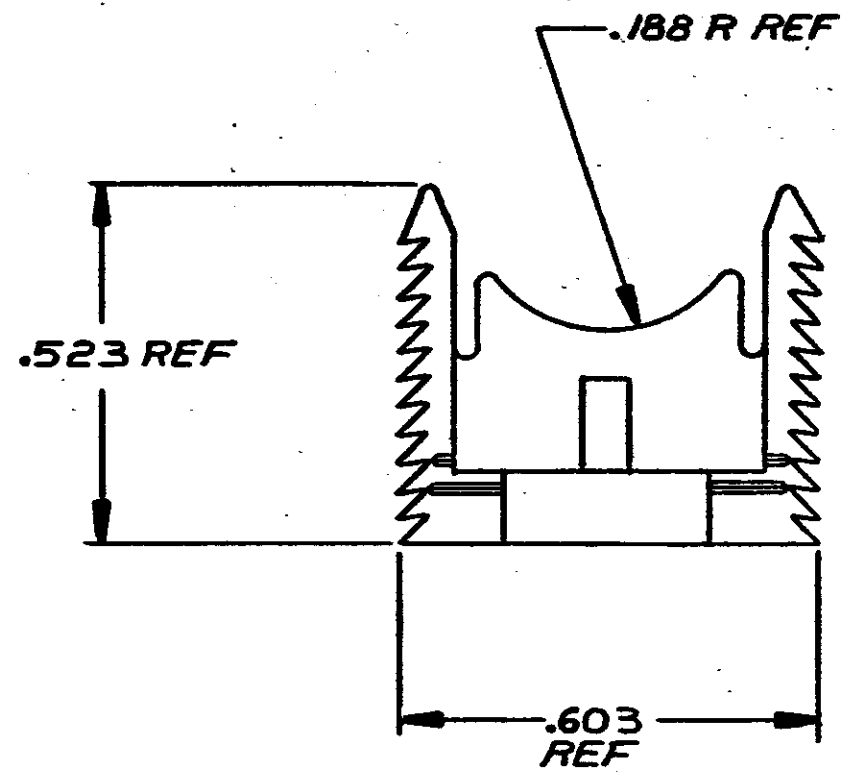
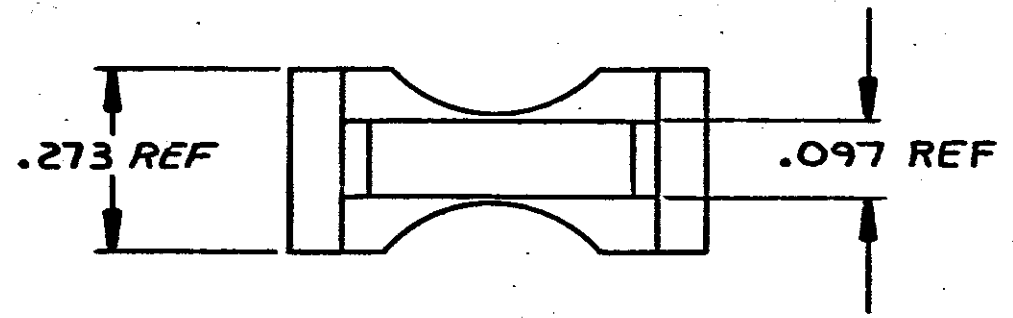



© COPYRIGHT 1977 BY AMP INCORPORATED, HARRISBURG, PA.
 ALL INTERNATIONAL RIGHTS RESERVED. AMP INCORPORATED PRODUCTS
 COVERED BY U. S. AND FOREIGN PATENTS AND/OR PATENTS PENDING.

UNPUBLISHED COPY NOT TO BE
 REPRODUCED NOR PUBLISHED
 WITHOUT WRITTEN PERMISSION
 OF AMP INCORPORATED.

REVISIONS						
P	F	ZONE	LTR	DESCRIPTION	DATE	APPROVED
0	✓		0	RLSE PER NPR C77-80	12-19-77	RR



GRAY	552763-2
BLK	552763-1
COLOR	PART NO

UNLESS OTHERWISE SPECIFIED DIMENSIONS ARE IN INCHES. TOLERANCES ON: DECIMALS ± .005 ANGLES ± .1	CONTRACT NO	 AMP INCORPORATED Harrisburg, Pa.
	DR. <i>12-19-77</i> <i>Randy Matthews</i>	
MATERIAL THERMOPLASTIC	CHK. <i>RR</i> 12/21/77	NAME CLAMP, CABLE, ADJUSTABLE
FINISH <i>H</i>	APPR. <i>J. Nell</i> 12/21/77 APPR. <i>R. G.</i> 12/21/77	SIZE B
	DSGN APPD	CODE IDENT NO 00779
	OTHER APPD	NUMBER 552763
		SCALE <i>NTS</i>
		SHEET 1 OF 1