

THIS DRAWING IS UNPUBLISHED. RELEASED FOR PUBLICATION  
 © COPYRIGHT BY TYCO ELECTRONICS CORPORATION. ALL RIGHTS RESERVED.

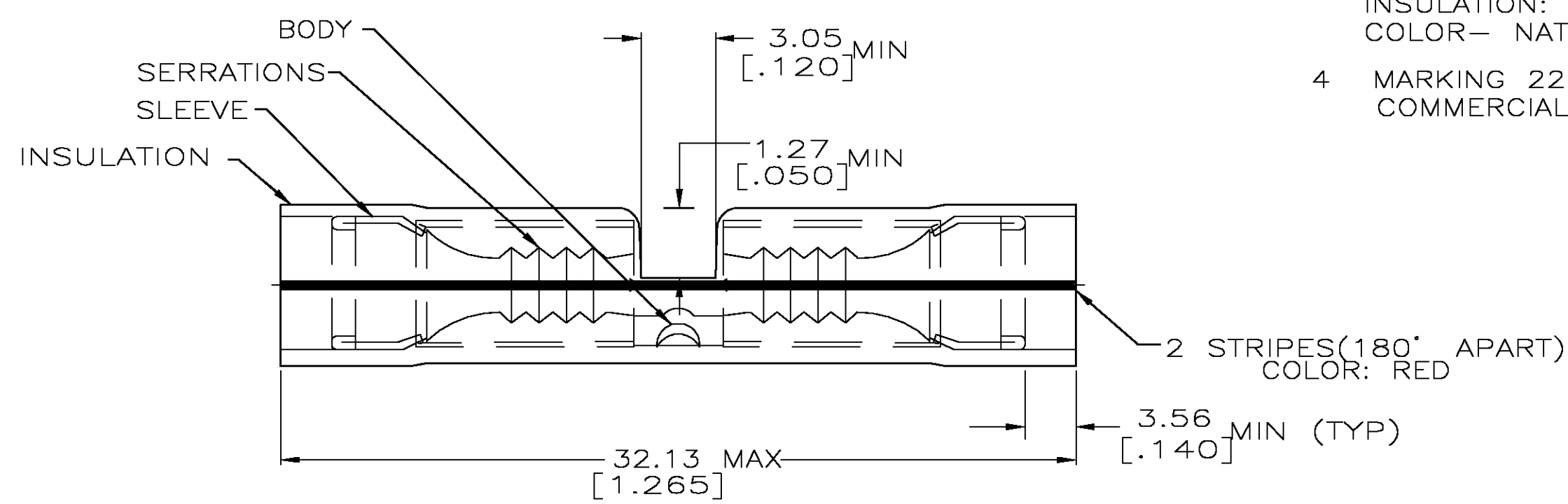
LOC	DIST	REVISIONS			
P	LTR	DESCRIPTION	DATE	DWN	APVD
G	14				
		K	REV PER 0G3A-0582-04	31AUG04	JR TM

**AMP**  
WIRE RANGE

---

22-16 AWG  
STRANDED

- 1 WIRE INSULATION DIA 2.03 [.080] TO 3.18 [.125].
- △2 FINISH: BODY AND SLEEVE: TIN/LEAD (93-7) PLATE PER ASTM B545. (3% MIN LEAD CONTENT)
- △3 MATERIAL: BODY AND SLEEVE, COPPER PER ASTM B152  
INSULATION: PVF<sup>2</sup>  
COLOR- NATURAL
- 4 MARKING 22-18 FOR MILITARY; COMMERCIAL RANGE 22-16



MILITARY PART NUMBER & CLASS PER MIL-T-7928	QTY	PACKAGE TYPE	PART NO.
-	25	LOOSE PIECE, BOX	8-53548-3
M7928/6-3 CLASS 2	2500	ON TAPE	53548-2
M7928/6-3 CLASS 1 & 2	1000	LOOSE PIECE	53548-1

**AMP INCORPORATED**  
CUSTOMER SERVICE SYSTEMS

FOR ADDITIONAL PRODUCT INFORMATION OR COPIES OF DRAWINGS AND TECHNICAL DOCUMENTS  
 PRODUCT INFORMATION CENTER  
 1-800-522-6752

FOR APPLICATION TOOLING ASSISTANCE CENTER  
 TOOLING INFORMATION  
 1-800-722-1111

FOR ORDER ENTRY  
 1-800-526-5142

MAX RECOMMENDED OPERATING TEMPERATURE:  
150°C

VOLTAGE RATING:  
-

CIRCULAR MIL AREA:  
0.26-1.65mm<sup>2</sup> [509-3,260] STRANDED

THIS DRAWING IS A CONTROLLED DOCUMENT FOR AMP INCORPORATED. IT IS SUBJECT TO CHANGE AND THE CONTROLLING ENGINEERING ORGANIZATION SHOULD BE CONTACTED FOR THE LATEST REVISION.

THIS DRAWING IS A CONTROLLED DOCUMENT.

DIMENSIONS: MM [ INCHES ]

TOLERANCES UNLESS OTHERWISE SPECIFIED:

0 PLC	± -
1 PLC	± -
2 PLC	± 0.20 [.008]
3 PLC	± -
4 PLC	± -
ANGLES	± -
FINISH	△2

MATERIAL: - △3

DWN S.S. GOULDEN 9-28-93  
 CHK R. HERSEY 9-28-93  
 APVD M ELLIS 9-28-93

**tyco Electronics** Tyco Electronics Corporation  
 Harrisburg, Pa 17105-3608

NAME: SPLICE, BUTT, PVF<sup>2</sup>, P.I.D.G., WIRE SIZE: 22-16 AWG

PRODUCT SPEC: 108-11023

APPLICATION SPEC: -

SIZE: A3 CAGE CODE: 00779 DRAWING NO: C-53548 RESTRICTED TO: -

WEIGHT: -

CUSTOMER DRAWING SCALE: 1:1 SHEET: 1 OF 1 REV: K