

**MICRO SWITCH**

FREEPORT, ILLINOIS U.S.A.  
A DIVISION OF HONEYWELL

FED. MFG. CODE 91929

**SWITCH - TOGGLE  
ABOVE PANEL MOUNT**

CATALOG LISTING  
**1TP16 SERIES**

**CHART 1**

THIS DRAWING COVERS A PROPRIETARY ITEM AND IS THE PROPERTY OF MICRO SWITCH, A DIVISION OF HONEYWELL. THIS DRAWING IS NOT TO BE COPIED OR USED WITHOUT THE APPROVAL OF MICRO SWITCH.

1TP16 SERIES  
CHART 1  
PAGE 1 OF 1

**M**

DRAWING  
NUMBER

18

18

ISSUE

18

18

REVISIONS

A	CO	50791	WJM	10 JUN 82
B	CO	06057	MAM	28 SEPT 84
C	CO	056164	JAP	6 MAR 85
D	CO	057712	JAP	6 DEC 85
E	CO	059943	JAP	23 JUL 86
F	CO	077697	TSN	15 JUN 94
G	CO	94411	LJK	24 NOV 99

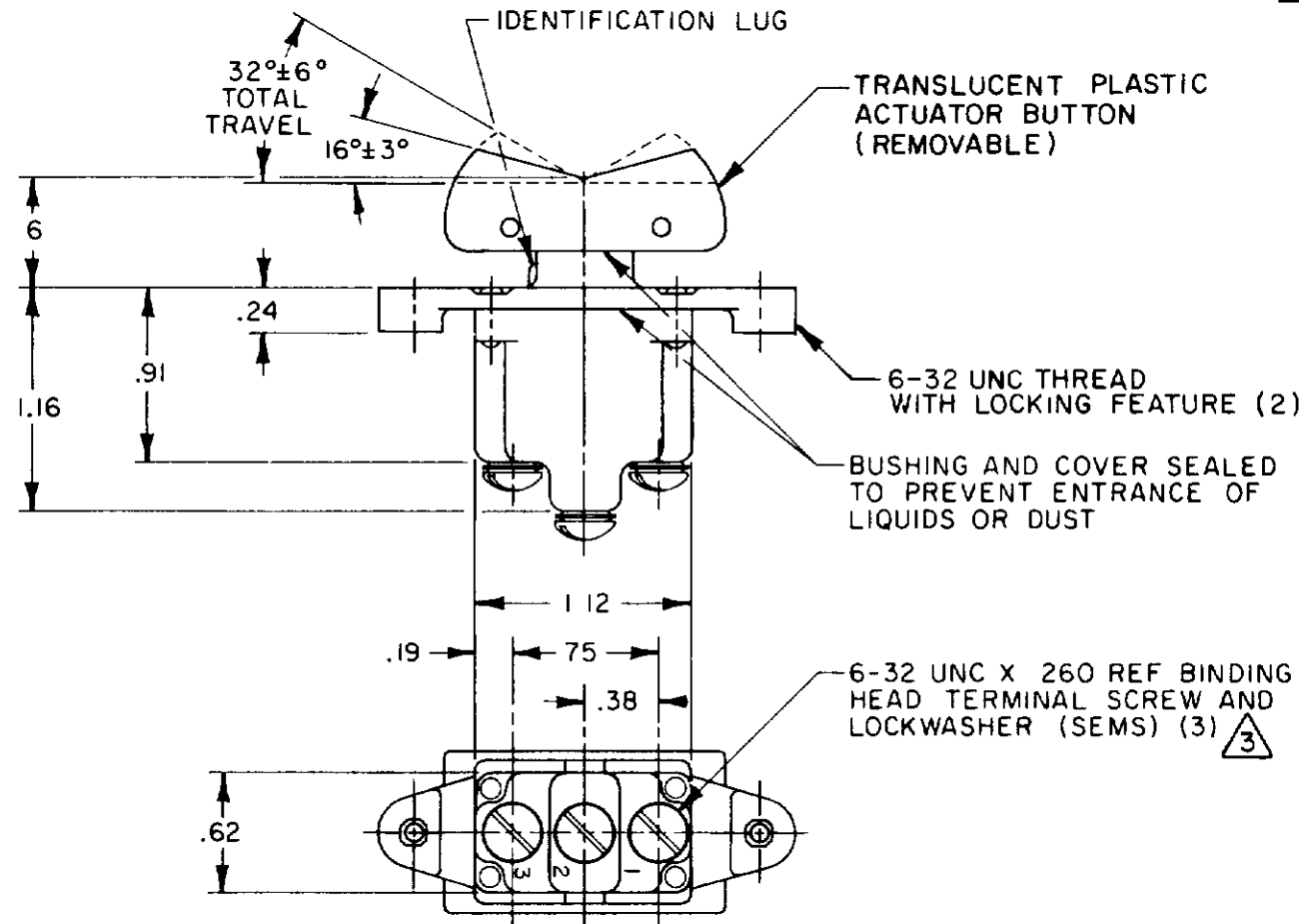
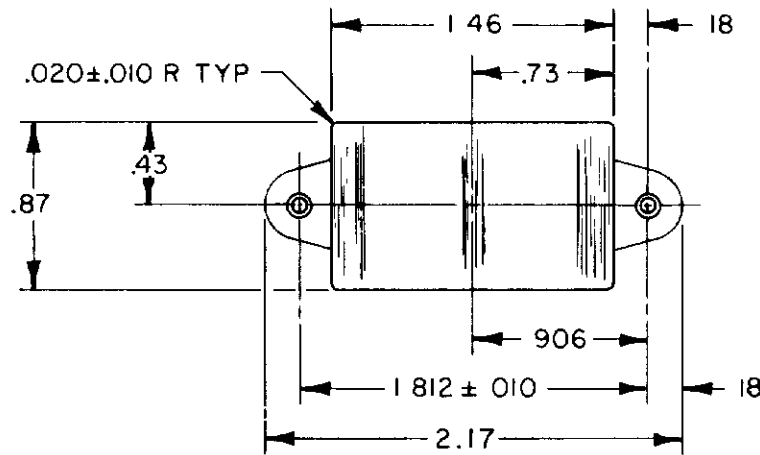
REPLACES

RELEASE NO

CHECK

CHECK

CHECK

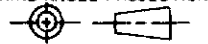


CATALOG LISTING	CIRCUIT WITH BUTTON IN			ELECTRICAL DATA
	LUG SIDE (1-2)	CENTER (1-2)	OPPOSITE LUG (2-3)	
ITP16-1	ON	OFF	ON	15A-125, 250 OR 277 VAC 1/2HP-125VAC; 1HP-250, 277 VAC 5A-125VAC "L" CODE L191
ITP16-2	OFF	NONE	ON	
ITP16-3	ON	NONE	ON	
ITP16-2I	NONE	OFF	ON	
ITP16-3I	NONE	ON	ON	
ITP16-4	MOM OFF	NONE	ON	10A-125, 250, 277 VAC 1/4HP-125VAC; 1/2HP-250, 277VAC 3A-125VAC "L" CODE L192
ITP16-5	MOM ON	OFF	ON	
ITP16-6	MOM ON	NONE	OFF	
ITP16-7	MOM ON	OFF	MOM ON	
ITP16-8	MOM ON	NONE	ON	
ITP16-5I	NONE	ON	MOM ON	
ITP16-6I	MOM ON	OFF	NONE	

NOTES

- 1 - MICRO SWITCH CATALOG LISTING MARKED ON SIDE OF SWITCH
- 2 - SWITCHES WILL WITHSTAND TEMPERATURE OF 160°F
- 3 - SCREWS FURNISHED UNASSEMBLED

THIRD ANGLE PROJECTION



SCALE FULL

DO NOT SCALE PRINT

TOLERANCES

APPLY TO DESIGN UNITS. CONVERSIONS ARE ONLY FOR REFERENCE. UNLESS NOTED, TOLERANCES ARE:

	DM	TOL	DM	TOL
	mm	mm/in	in	mm/in
NO PLACES	3	.1704	3	0.0075
ONE PLACE	XX	0.41016	XX	0.0075
TWO PLACES	XXX	0.15006	XXX	0.0075
THREE PLACES	XXXX	0.05002	XXXX	0.0075

DESIGN UNITS

SI METRIC

US CUSTOMARY

WEIGHT .09 LB EST

FORMTEK

DRAWN

WJM

10 JUN 82

CHECK

CHECK

CHECK