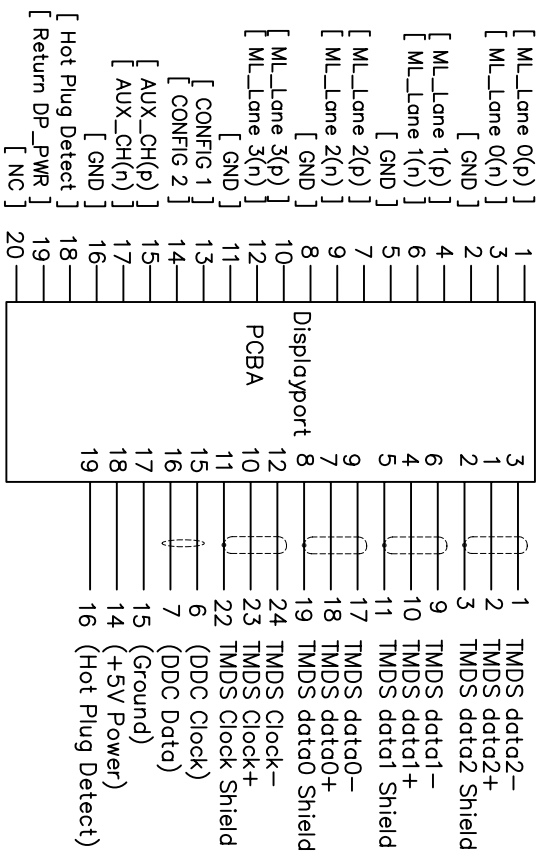
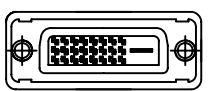
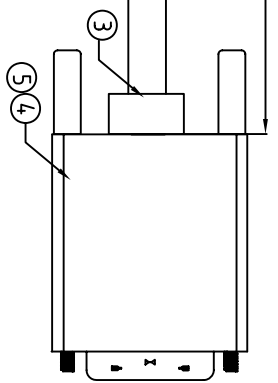
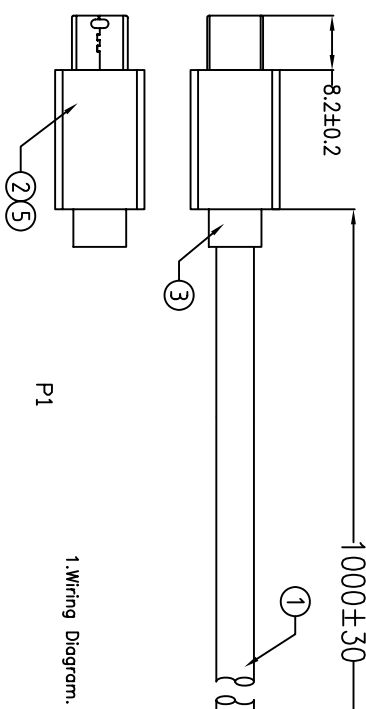
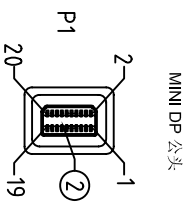


CUSTOMER APPROVED:

DATE:



SHELL _____ SHELL

5	PE	PE INSERMOLDING	10g	A	20150414	INITIAL RELEASE	2015/04/14
4	CONN	DV124+1 MALE INSULATION WHITE NICKEL PIN G/F W/WHITE COVER W/PCB+IC W/THUMB SCREWS	1SET	REV	ECN#	DESCRIPTION	DATE
3	PVC	45P PVC WHITE OVERMOLD	30g	Cnc Tech, LLC DWN NO. 743-60011-00100 CUSTOMER P/N: _____ TITLE MINI DP / M TO DV124+1/M CONNECTOR WITH 1.0M			
2	CONN	MINIDP20 MALE INSULATION WHITE NICKEL PIN G/F W/WHITE HODD	1SET				
1	CABLE	UL20276 (32AWG*1P+DW+AL/MY)*5+32AWG*5 C+A+D+B(16/6/0.1AAM) ODS.5 WHITE	1	DRAWN	EDWIN LAI	DATE	04/14/15
NO.	PART NO.	DESCRIPTION	QTY	CHECKED	APPROVAL	CUSTOMER:	REV
		BILL OF MATERIAL	UNIT/REF	SHEET 1 OF 1			

