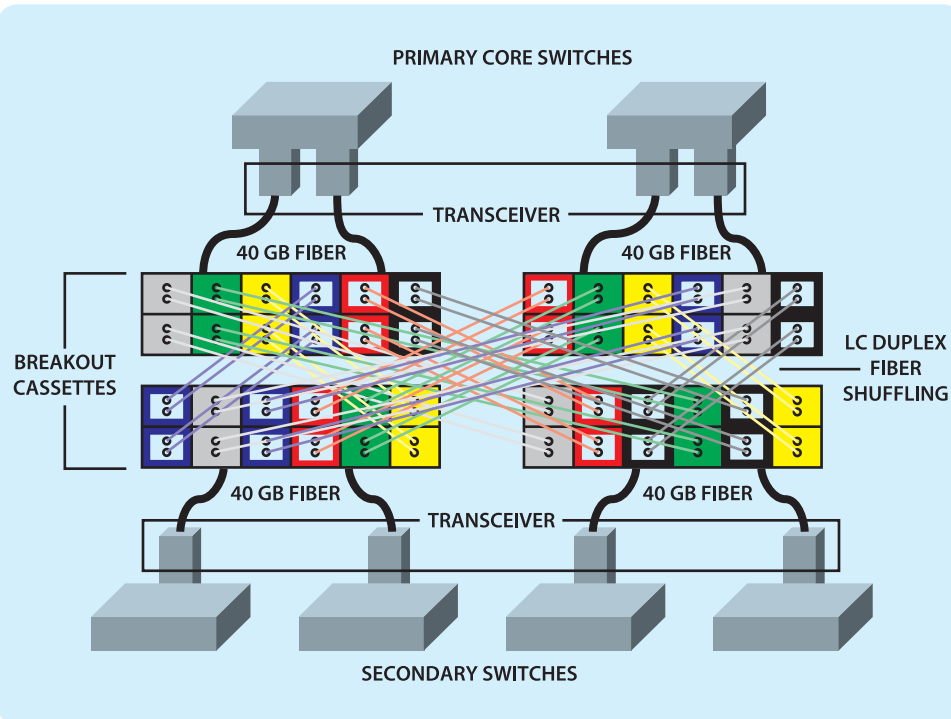


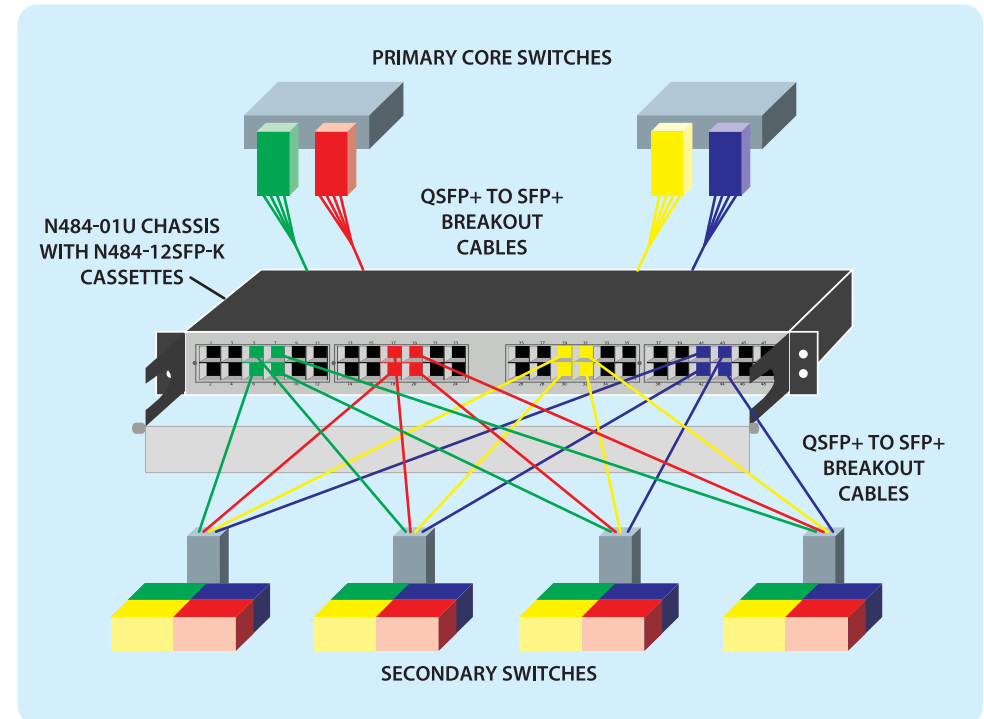
Distributed Network Redundancy Using Tripp Lite's All-In-One N484-12SFP-K Cassette/Cable Solution

STANDARD SOLUTION



- Must purchase transceivers, fiber optic cabling and breakout cassettes/panels
- Higher power consumption and heat emission
- Higher latency
- Higher cost

TRIPP LITE SOLUTION



- All-in-one Kit: SFP+ 12-Port Cassette with QSFP+ to SFP+ Breakout Cables
- Lower power consumption and heat emission
- Lower latency
- Lower cost
- Zero-code solution



1111 W. 35th Street, Chicago, IL 60609 USA • www.tripplite.com/support

Copyright © 2015 Tripp Lite. All rights reserved.