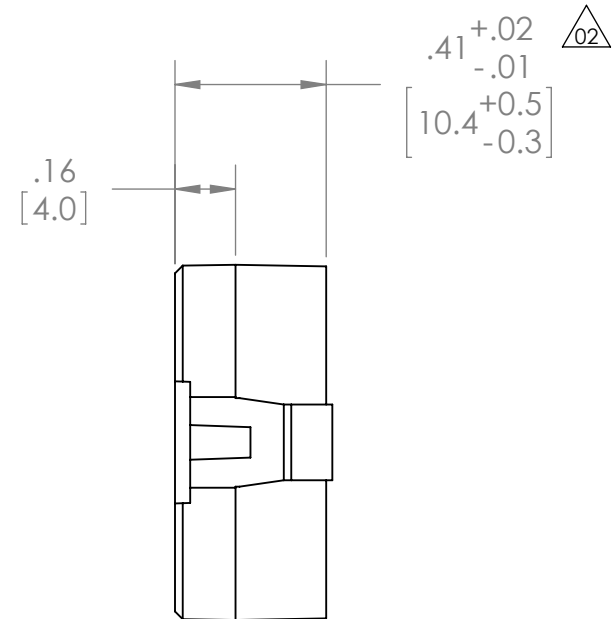
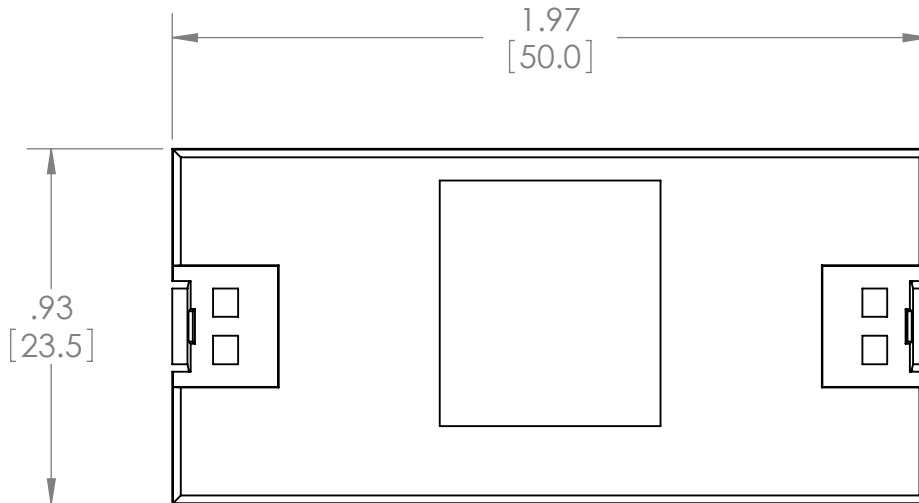


SW2009



Revision level		Revision Record	Changed	Date	Approved	Date
Drawing	Part					
02	-	SEE ECN# 011737	AAC	02/10/2011	AAC	02/10/2011



Material
 ABS VO RATED
 AVAILABLE COLORS:
 OFFICE WHITE, WHITE,
 IVORY

Units inches
 Dimension without tolerances details to:
 .xxxx = ± .0005
 .xxx = ± .005
 .xx = ± .01
 .x = ± .03
 None = ± .06
 ∠ = ± 0.5°

The copyright of this drawing is reserved by HellermannTyton. It is issued on condition that it is not reproduced, copied, or disclosed to a third party, either wholly or in part, without the consent of HellermannTyton.

Drawn	AAC	10/26/2010	Article/Type-No	FPMIFS	Scale	2:1	
Approved	AAC	02/10/2011	Title	FPMIFS SINGLE PORT INSERT W/ICONS	Project Number	PRP10-0943	
HellermannTyton North America Email: corp@htamericas.com Web: www.hellermann.tyton.com			Drawing-No	MI10-0943-004CST	Production : Phase	Format	AH
						Sheet	1/1