

Programmable touch panels MTP6/50 & MTP8/50 PA Part number 88970501



MTP6/50 & MTP8/50

- 4.3" TFT-LCD compact resistive touch panels, 65536 colors, LED backlight
- Graphical resolution : 480 x 272 pixels
- Wide viewing angle : 70° horizontally and vertically
- Fan-less cooling system
- Text, data, graphic, animation display
- Processing of alarms and recipes
- 400 M Hz core logic, 64 MB RAM
- 128 MB flash memory storage
- Direct communication via the Millennium 3 programming port
- Programmable with user-friendly EB software (compatible with Windows 2000/XP/Vista/7)
- RS232/RS485 serial port
- MTP6/50
- USB 2.0 port (programming)
- MTP8/50
- Ethernet port (programming and communication)

Part numbers

	Type	Designation	Size	Programming	Connection
88970501	PA	MTP6/50-MTP8/70 programming kit - USB-MiniUSB connection (EB /helpfile CD, USB-MiniUSB cable)	-	-	-

Specifications

Environmental characteristics

Certifications	UL, cUL
Conformity to standards	IEC 61000-4
Operating temperature	0 → +45 °C
Storage temperature	-20 → +60 °C
Relative humidity	10 → 90 % (operation)
Protection rating	IP65 - Dust and droplets Front panel seal watertight at standard
Vibration resistance	10 - 25 Hz, 2G 30 minutes in each of the X, Y, Z axes
Shock resistance	Free fall from 1 meter in each of the X, Y, Z axes

Electrical characteristics

Supply voltage	24 VDC Internal insulation via transformer
Voltage limits	19,2 → 28,8 VDC
Consumption	7,2 W max

Mechanical characteristics

Dimensions (l x h x w)	128 x 102 x 38 mm Useful screen area : 95 x 54 mm
Panel cut-out	119 x 93 mm Panel thickness 1-10 mm
Mounting	Built-in, fixing by 2 screw clamps (supplied) for 1 to 10 mm panel
Connection	Removable 3-pin screw terminal block (supplied)
Weight	AC 300 g

Display characteristics

Description	TFT-LCD 4.3" polychrome, 65536 colors LED backlight Resolution 480 x 272 pixels 400 M Hz core logic, 64 MB RAM 128 MB flash memory (programs and recipes backup) Programmable with EB software Touch panel with user-definable layout Key life : 1 million operations minimum
Display details	Straight lines, free lines, squares, ovals, arcs, polygons, bitmaps, animations.gif, standard fonts
Functions	Buttons, switches, levers, LEDs, messages, data, password-secured buttons, triggers Bar charts, linear gauges, clocks, alphanumeric keyboards, graphics, recipes, alarm lists Text scrolling, multiple windows, data transfer, multiple language Archive
Connection	Communication MTP6/50 and MTP8/50 Direct M3-MTP communication (supplied) RS485 Modbus connection : 2/4 cables (2 cables with accessory 88970503)

	MTP8/50 Modbus TCP/IP connection via Ethernet port Programming MTP6/50 PC-MTP6/50 link via USB-MiniUSB cable (accessory) MTP8/50 PC-MTP8/50 link via Ethernet RJ45 crossover cable (accessory)
Real-time clock	Uses Millenium clockor built-in clock

Accessories

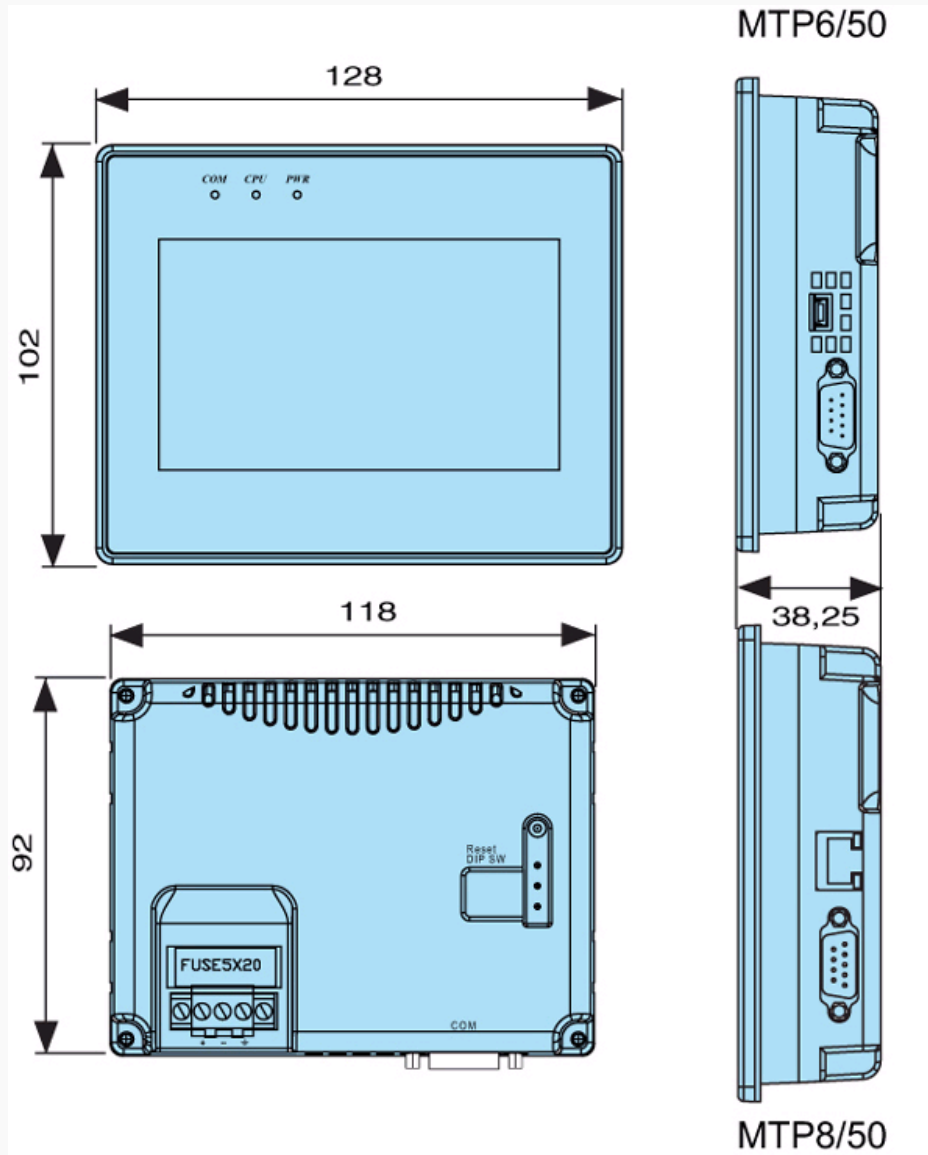
Type	Description	Code
MA	Modbus cable for MTP6/50 & MTP8/50	88970503

Comments

For use with 24 V DC Millenium 3 units only

Dimensions (mm)

RD



Dimensions (mm)

Panel cut-out

