



# Quick Start Guide

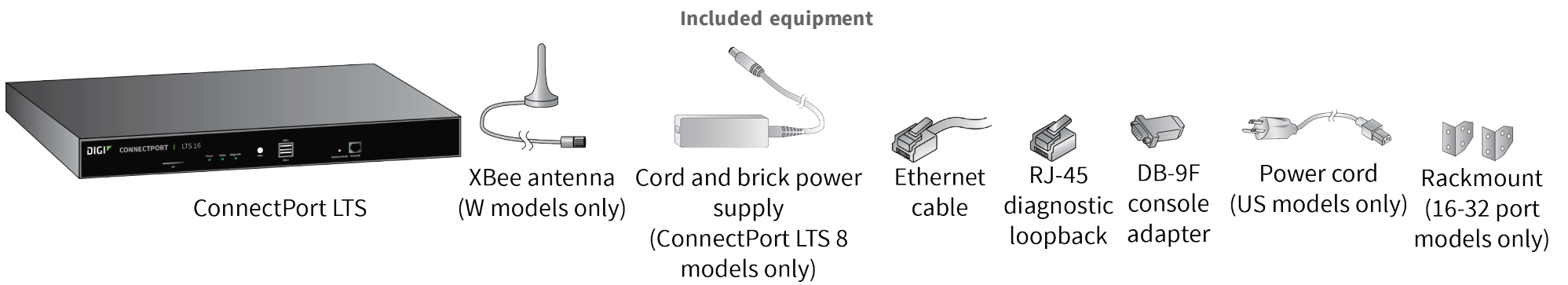
## ConnectPort® LTS 8/16/32



**Digi Technical Support:** Digi offers multiple support plans to help you get the most out of your product. For information on Technical Support plans and pricing, contact us at 877.912.3444 or visit [www.digi.com/support](http://www.digi.com/support).

**Documentation feedback:** To provide feedback on this documentation, send an email to [techcomm@digi.com](mailto:techcomm@digi.com).

### 1 Verify your components

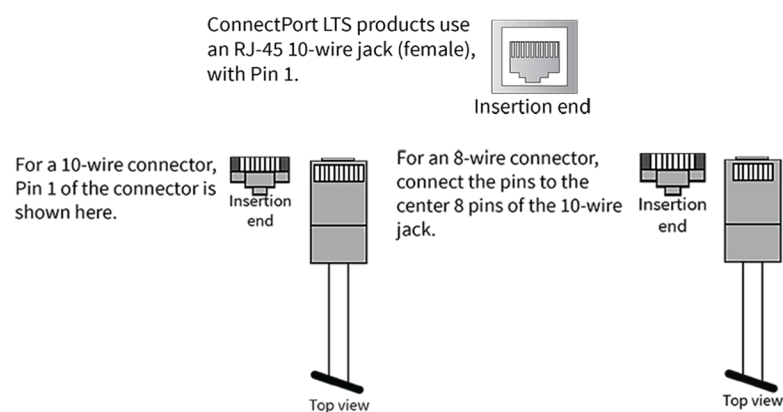
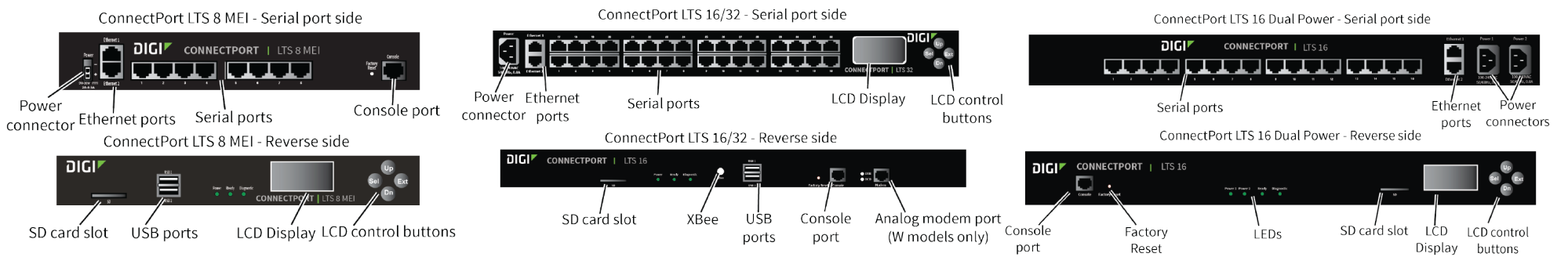


Verify that you have all included equipment. If any item is missing or damaged, contact your supplier.

### 2 Connect the hardware

1. Connect the Ethernet cable to the Ethernet 1 port.
2. Connect the serial devices to the serial ports, following the pin position information below. If serial devices are EIA- 422/485, see section 4, step 6.
3. Connect the power supply to the POWER connector.
4. Connect the XBee antenna, if available.

### Ports, connectors, LEDs, and buttons



Pin # on 10-wire connector	Pin # on 8-wire connector	EIA-232	MEI versions only	
			EIA-422/485 Full-Duplex	EIA-485 Half-Duplex
1		RI	TxD-	N/A
2	1	DSR*	RxD-	DATA-
3	2	RTS	RTS+	N/A
4	3	CGND	CGND	CGND
5	4	TxD	TxD+	N/A
6	5	RxD	RxD+	DATA+
7	6	SGND	SGND	SGND
8	7	CTS	CTS+	N/A
9	8	DTR	RTS-	N/A
10		DCD*	CTS-	N/A

\*Use the AltPin setting to swap these two signals.

### 3 Download required software

Digi provides several utilities that discover devices present on a network. You will need to download either the **Device Discovery Utility** or **Digi Port Authority - Remote**.

1. Navigate to [www.digi.com/support/connectportlts](http://www.digi.com/support/connectportlts) and select **Utilities** from the **Product Support** tab. A list of available downloadable utilities for your operating system appears.
2. Select your operating system.
3. Download and run either the **Device Discovery Utility** or **Digi Port Authority - Remote**.

If you will use Digi's RealPort software to manage the serial ports for your products, download the RealPort software:

1. Navigate to [www.digi.com/support/connectportlts](http://www.digi.com/support/connectportlts) and select **Drivers** from the **Product Support** tab.
2. Select your operating system. A list of available downloads and release notes for your operating system appears.
3. Download the RealPort driver and the release notes.

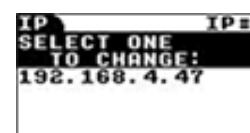
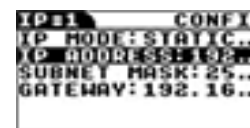
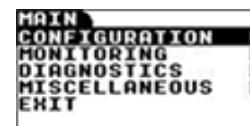
### 4 Configure the serial ports

1. Navigate to [www.digi.com/support/connectportlts](http://www.digi.com/support/connectportlts) and download the *ConnectPort LTS User Guide* from the **Product Support** tab. This guide provides additional configuration support.
2. Use the **Device Discovery Utility** or **Digi Port Authority — Remote** to discover devices on your network and open the web interface:
  - a. In the list of discovered devices, select the ConnectPort LTS device.
  - b. Using the Device Discovery Utility or Digi Port Authority, configure the IP address, if necessary. See *Alternative IP address setup using the LCD display* below.
  - c. Open the ConnectPort LTS web interface. In the Device Discovery Utility, click **Open web interface**. In Digi Port Authority-Remote, click **Device Configuration**.
  - d. A login prompt for the web interface appears. Enter the default username and password: **root** and **dbps**.

#### Alternative IP address setup using the LCD display

You can also set a static IP address using the LCD display and LCD control buttons.

- a. Press the **Sel** button to navigate to **CONFIGURATION**.
- b. Select **IP SETTING #1 or #2**.
- c. Select **IP Mode STATIC**.
- d. Use the **Up** and **Dn** buttons to select the correct IP address from the displayed addresses; press **Ext** when done. If necessary, change **SUBNET MASK** and **GATEWAY**, and then press the **Ext** button to exit the configuration menus.
- e. To save the IP settings, use the **Dn** and **Sel** buttons to select the **SAVE** command, and then press the **Ext** button to exit the LCD display.



3. In the web interface, under **Configuration**, click **Serial Ports**.
4. Configure serial port settings using port profiles. Port profiles are a defined set of serial port parameters for a particular use. The web interface and user guide contain descriptions of the port profiles. For ConnectPort LTS products, Digi recommends the **RealPort** port profile. For help in configuring the device for use with other port profiles, see the user guide. To configure ports to use the RealPort port profile:
  - a. On the **Serial Port Configuration** page, click the port to be configured and then click **Change Profile**.
  - b. In the list of profiles, select the **RealPort** port profile and then click **Apply**.
5. For EIA-232 devices that will be connected using 8-wire cables, configure the **Altpin** setting. The default for this setting is off; it must be enabled as needed for each serial port. For each applicable serial port:
  - a. Click **Advanced Serial Settings**.
  - b. Select the **Enable DCD on 8-pin RJ45 connectors (Altpin)** setting, and then click **Apply**.
6. The serial ports for ConnectPort LTS MEI products are set to EIA-232 by default. For serial ports that connect to EIA-422 or EIA-485 devices, configure the serial ports. For each applicable serial port:
  - a. Click the serial port to select it.
  - b. On the **Serial Port Configuration** page, click **Basic Serial Settings**.
  - c. For **MEI Type**, select **RS422/485** for EIA-422/485 4-wire Full-Duplex or **RS485-HALF** for EIA-485 2-wire Half-Duplex.
  - d. Select **Enable termination** if termination or use of biasing resistors is needed across the lines. Enable this setting if the terminal server port is an endpoint node of the EIA-422/485 network and you require termination or biasing. If using 2-wire mode, termination or biasing is used at one of the end points; usually the Master endpoint.

**Note** The CTS and RTS control signals are available as separate differential signals in the EIA-422/EIA-485 4-wire mode. Do not use these differential signals in 2-wire mode. The CTS and RTS differential signals are not terminated or biased internally. Termination or biasing must be done externally.

- e. Click **Apply**.
7. Your ConnectPort LTS device is now configured for basic serial port connectivity. For information on other configuration options and additional product information, see the *ConnectPort LTS User Guide*.