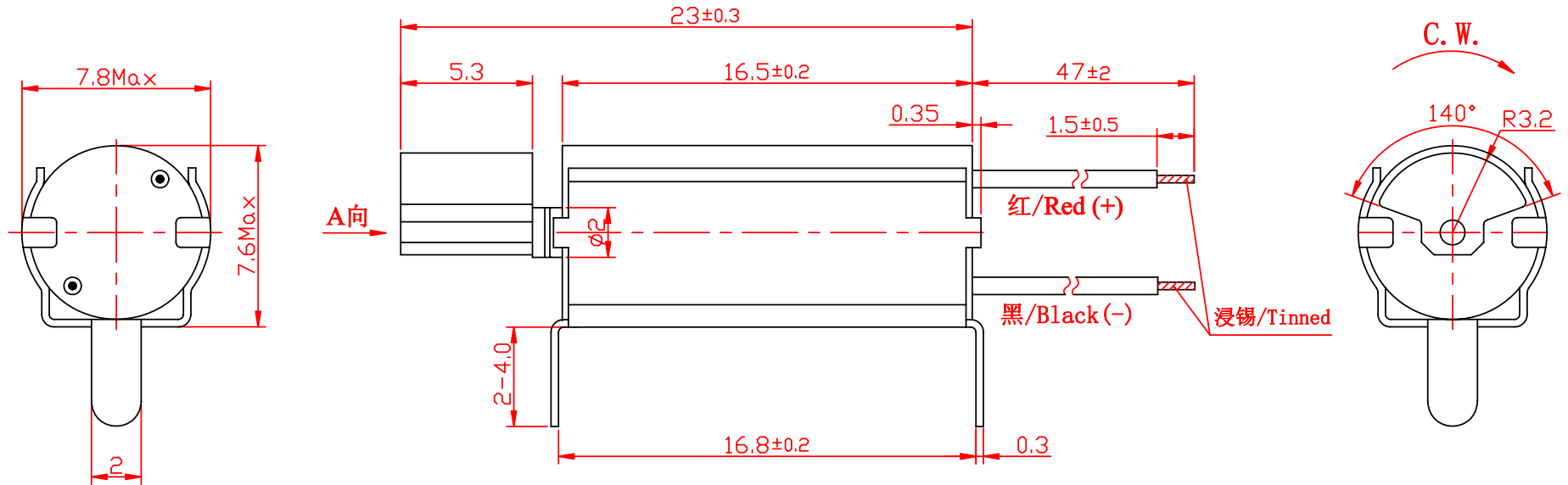


Z7AL2B1692612

www.jinlong-machinery.com

- 技术要求/Technic requirement
- 1.额定电压/Rated voltage:3.0V
 - 2.额定电流/Rated current:250mA Max
 - 3.额定转速/Rated speed:12000 ± 2500rpm
 - 4.堵转电流/Stall current:680mA Max
 - 5.端子阻抗/Terminal resistance:5.5Ω(±20%)
 - 6.起动电压/Starting voltage:1.7V Max
 - 7.轴向间隙/Shaft end play:0.1~0.3mm
 - 8.导线规格/Lead spec: AWG30 UL1571
 - 9.所有尺寸为A向压紧后的尺寸(不包括轴向间隙)
/Overall length is measured after counterweight being pressed against body in direction A. (Shaft end play is not included.)
 - 10.未注线性公差为/Unmarked tolerance: ± 0.1mm



借(通)用件登记

底图总号

签字

日期

						jinlong-machinery.com			金龙机电股份有限公司		
									外形图		
标记	处数	分区	更改文件号	签名	日期	阶段标记		重量			
设计			标准化						4:1		
校对											
审核											
工艺			批准			共 页		第 页		Z7AL2B1692612	