

Y distributor - VS-PPC-J-1220-1227-1020-0,2 - 1404799

Please be informed that the data shown in this PDF Document is generated from our Online Catalog. Please find the complete data in the user's documentation. Our General Terms of Use for Downloads are valid (<http://phoenixcontact.com/download>)

PROFINET Y distributor with assembled power line, 5-pos., IP65/IP67, MSTB plug with metal housing on 2x socket in metal housing, cable length: 0.2 m



Y distributor with MSTB plug



Key Commercial Data

Packing unit	1 STK
GTIN	
GTIN	4046356321488

Technical data

Mechanical characteristics

Number of positions	5
Shielded	no
Insertion/withdrawal cycles	≤ 100
Cable diameter	11.80 mm
Length of cable	0.2 m
Degree of protection	IP65/IP67

Ambient conditions

Ambient temperature (operation)	-40 °C ... 70 °C (cable, fixed installation)
	-5 °C ... 70 °C (cable, flexible installation)
	Plug / socket
Degree of protection	IP65
	IP67

Material data

Flammability rating according to UL 94	V0
Housing material	Aluminum die-cast
Outer sheath, material	PVC

Y distributor - VS-PPC-J-1220-1227-1020-0,2 - 1404799

Technical data

Material data

External sheath, color	silver-gray RAL 7001
------------------------	----------------------

Electrical characteristics

Number of positions	5
Rated current	16 A
Rated voltage (III/3)	24 V

Standards and Regulations

Flammability rating according to UL 94	V0
--	----

Line characteristics

Cable type	PVC gray
Conductor cross section	5x 2.5 mm ²
AWG power supply	14
Conductor structure, voltage supply	50x 0.25 mm
External cable diameter	11.8 mm
Wire colors	blue, brown, black, gray, green/yellow
External sheath, color	gray RAL 7001
Insulation resistance	> 0.2 MΩ*km
Nominal voltage, cable	750 V
	1000 V (Fixed, protected installation)
Test voltage, cable	4000 V
Overall twist	5 cores, twisted
Outer sheath, material	PVC
Material conductor insulation	PVC
Conductor material	Bare Cu litz wires
Cable weight	242 kg/km
Minimum bending radius, fixed installation	4 x D
Minimum bending radius, flexible installation	15 x D
cable layer type	Indoors
Flame resistance	according to IEC 60332-1-2
Ambient temperature (operation)	-40 °C ... 80 °C (cable, fixed installation)
	-5 °C ... 70 °C (cable, flexible installation)

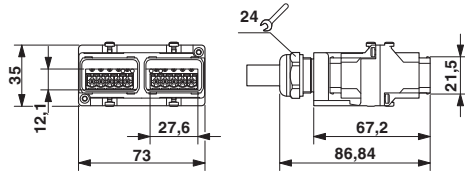
Environmental Product Compliance

REACH SVHC	Lead 7439-92-1
China RoHS	Environmentally Friendly Use Period = 50
	For details about hazardous substances go to tab "Downloads", Category "Manufacturer's declaration"

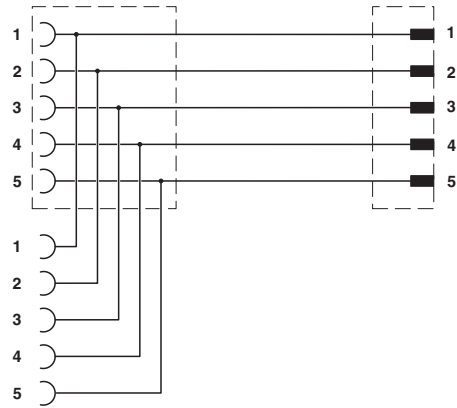
Drawings

Y distributor - VS-PPC-J-1220-1227-1020-0,2 - 1404799

Dimensional drawing



Circuit diagram



Approvals

Approvals

Approvals

EAC

Ex Approvals

Approval details

EAC		B.00767
-----	--	---------

Phoenix Contact 2018 © - all rights reserved
<http://www.phoenixcontact.com>

PHOENIX CONTACT GmbH & Co. KG
Flachsmarktstr. 8
32825 Blomberg
Germany
Tel. +49 5235 300
Fax +49 5235 3 41200
<http://www.phoenixcontact.com>