

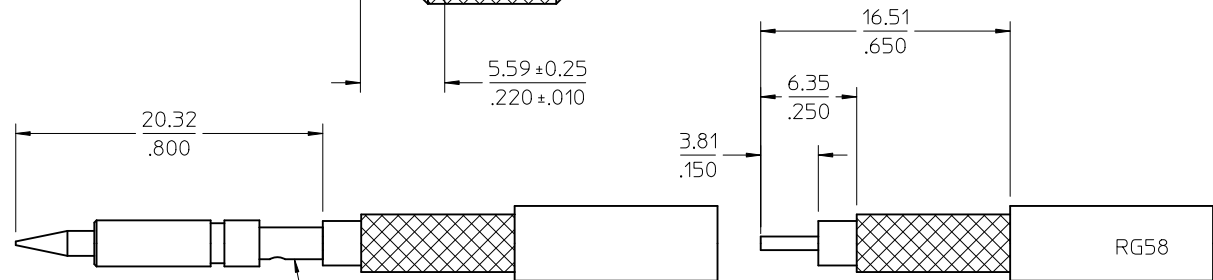
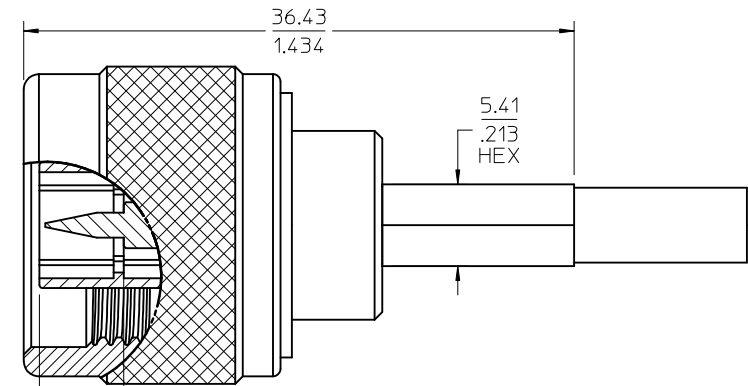
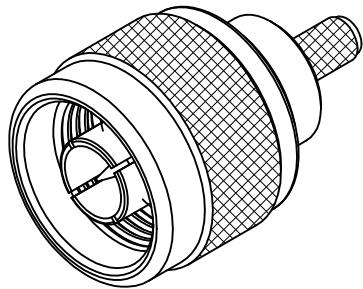
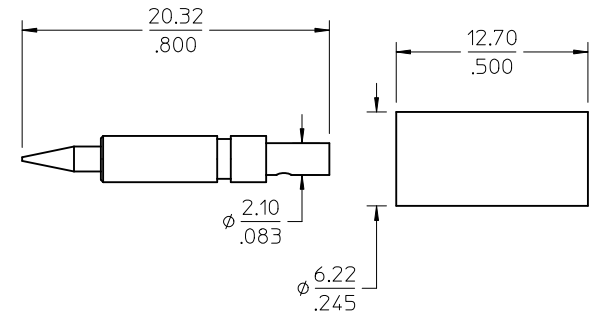
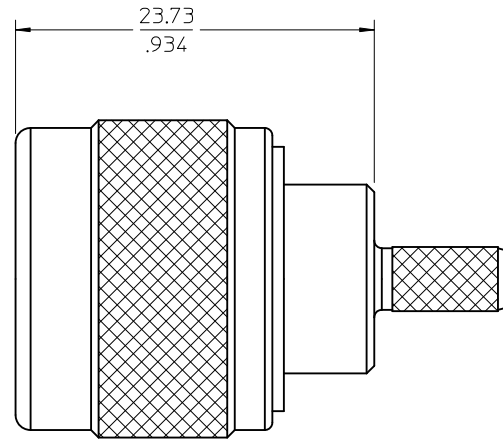
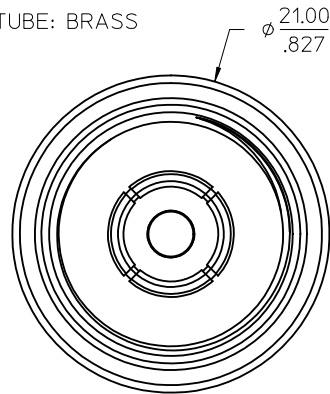
MATERIALS AND FINISHES

BODY, OUTER CONTACT, C'NUT, CRIMP TUBE: BRASS  
PLATED NICKEL

CONTACT: BRASS  
PLATED GOLD

GASKET: SILICONE RUBBER

SNAP RING: PHOSPHOR BRONZE



SOLDER OR  
CRIMP USING  
1.73/.068 HEX

73276-2360	1 PIECE 73100-0042 PER BAG
73100-0042	STANDARD
PART NO.	PACKAGING

PS-89675-3220	PRODUCT SPECIFICATION
MIL-STD-348A, FIG. 304.1	INTERFACE
SPECIFICATION	DESCRIPTION

CHG: REDREW IN SD.  
ADDED P/N  
73276-2360  
FOR SINGLE BAG  
OPTION. ADDED  
ASSY INSTRS.

EC NO: URF2011-0569  
DRAWN: AROBERTSON 2011/03/31  
CHKD: SSS 2011/03/31  
APPR: JWIENER 2011/03/31

B1

QUALITY SYMBOLS
▽=0
▽=0
DESCRIPTION

GENERAL TOLERANCES (UNLESS SPECIFIED)	
	MM/IN
4 PLACES ±	± .005 / ± .0002
3 PLACES ±	± .005 / ± .0002
2 PLACES ±	± .005 / ± .0002
1 PLACE ±	± .005 / ± .0002
ANGULAR ± 2°	
DRAFT WHERE APPLICABLE MUST REMAIN WITHIN DIMENSIONS	

DIMENSION STYLE	
MM/IN	
DRAWN BY	DATE
AROBERTSON	2011/03/31
CHECKED BY	DATE
SSS	2011/03/31
APPROVED BY	DATE
JWIENER	2011/03/31
MATERIAL NO.	SEE TABLE
SIZE	C

SCALE	DESIGN UNITS	THIRD ANGLE PROJECTION
INCH	INCH	☉
TITLE		
N PLUG STRAIGHT 50 OHM FOR RG58 CABLE N-PC		
MOLEX INCORPORATED		
MATERIAL NO.	DOCUMENT NO.	SHEET NO.
SEE TABLE	SD-73100-0042	1 OF 1
THIS DRAWING CONTAINS INFORMATION THAT IS PROPRIETARY TO MOLEX INCORPORATED AND SHOULD NOT BE USED WITHOUT WRITTEN PERMISSION		

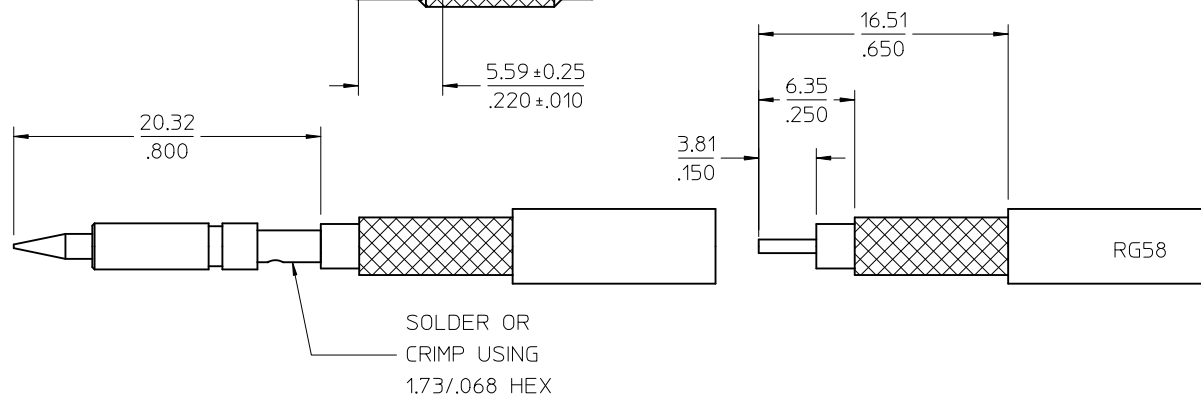
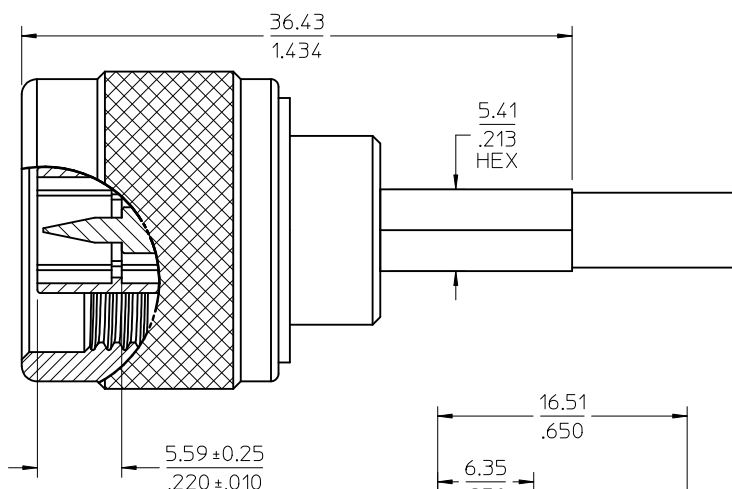
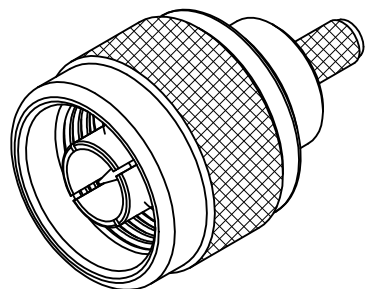
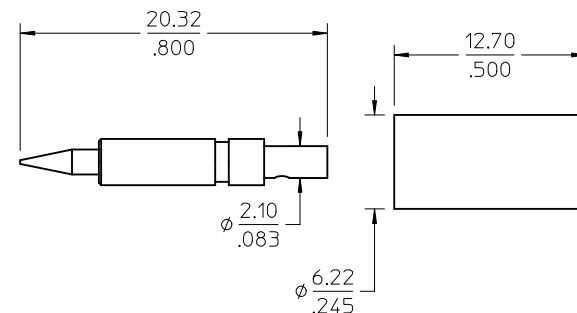
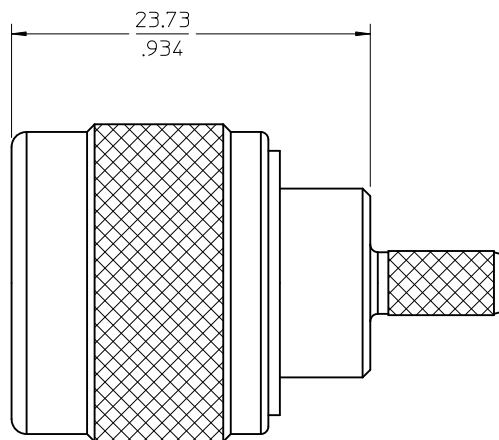
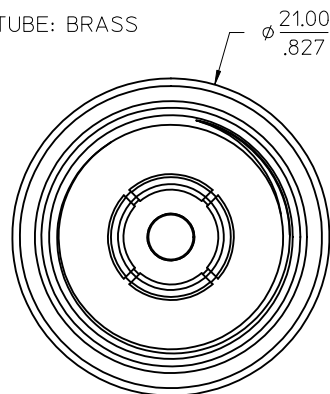
MATERIALS AND FINISHES

BODY, OUTER CONTACT, C'NUT, CRIMP TUBE: BRASS  
PLATED NICKEL

CONTACT: BRASS  
PLATED GOLD

GASKET: SILICONE RUBBER

SNAP RING: PHOSPHOR BRONZE



73276-2360	1 PIECE 73100-0042 PER BAG
73100-0042	STANDARD
PART NO.	PACKAGING

PS-89675-3220	PRODUCT SPECIFICATION
MIL-STD-348A, FIG. 304.1	INTERFACE
SPECIFICATION	DESCRIPTION

CHG: RELEASE DRAWING. EC NO: URF2011-0569 DRAWN: AROBERTSON 2011/03/31 CHKD: SSS 2011/03/31 APPR: JWIENER 2011/03/31	QUALITY SYMBOLS ▽=0 ▽=0	GENERAL TOLERANCES (UNLESS SPECIFIED)		DIMENSION STYLE MM/IN	SCALE INCH	DESIGN UNITS INCH	THIRD ANGLE PROJECTION		
		4 PLACES ± --- INCH 3 PLACES ± --- INCH 2 PLACES ± --- INCH 1 PLACE ± --- INCH		DRAWN BY AROBERTSON	DATE 2011/03/31	TITLE N PLUG STRAIGHT 50 OHM FOR RG58 CABLE N-PC			
		ANGULAR ± 2 °		CHECKED BY SSS	DATE 2011/03/31	APPROVED BY JWIENER			DATE 2011/03/31
		DRAFT WHERE APPLICABLE MUST REMAIN WITHIN DIMENSIONS		SEE TABLE		MATERIAL NO. DOCUMENT NO.		SHEET NO. 1 OF 1	