

PART NAME: KNOB

SCALE: 1:1

DATE: 10/25/85

DR. BY HD



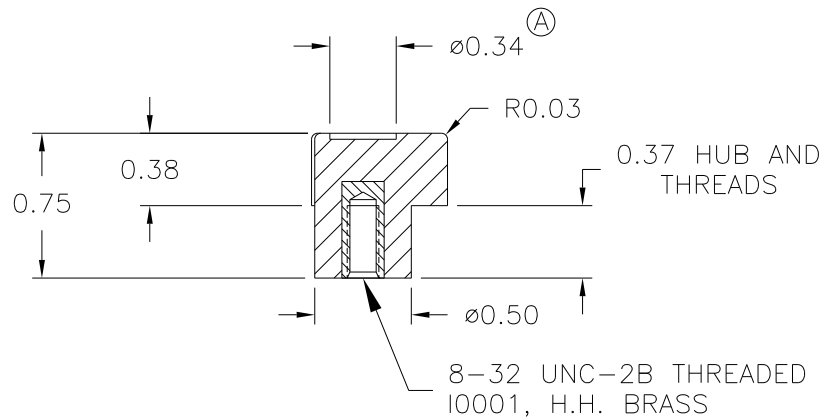
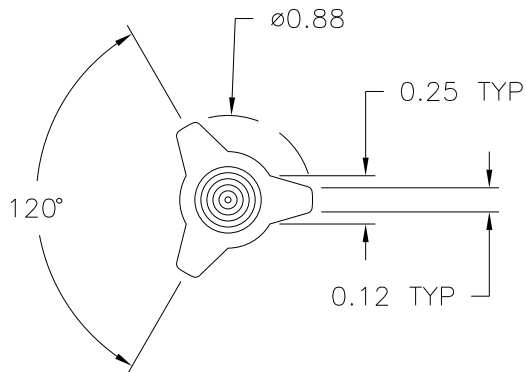
DESIGNERS & MANUFACTURERS OF KNOBS, HANDLES, CASES & CUSTOM PLASTIC COMPONENTS

P/N 3022

THIS DRAWING IS THE PROPERTY OF DAVIES MOLDING COMPANY, IS SUBMITTED SOLELY AS A DESIGN OR ENGINEERING PROJECT. WE ACCEPT NO RESPONSIBILITY WHATSOEVER FOR THE PRACTICAL APPLICATION OF THE PIECES MADE TO THIS DESIGN.

M^{NO.} 1475

| | |
|-------------|----------------|
| CAVITY | 3022 |
| PLUNGER | 3022 |
| PLUNGER PIN | 3022 |
| PINS | 3025&3025-A |
| SHIMS | .250+.250+.047 |
| PIN BAR | 1475 |
| INSERT | I0001 |
| PLUNGER KEY | 1/4x1/4x7/16 |
| CAVITY KEY | 1/4x1/4x1/2 |



MATERIAL: G.P. PHENOLIC (B11)
 COLOR: BLACK

| | | | | |
|---|----------------------------------|-------------------|----|----------|
| TOLERANCES: UNLESS OTHERWISE SPECIFIED | DO NOT SCALE DRAWING | - REDRAWN | TL | 11/16/99 |
| DECIMALS: X.XXX ± .005 X.XX ± .015 | MM: X.XX ± 0.15MM X.X ± 0.4MM | A WAS ø1/4 RECESS | HD | 5/20/98 |
| FRACTIONS ± 1/64 | ANG. ± 1° | - CAD REDRAW | HD | 3/26/93 |
| CHANGES | | | | |