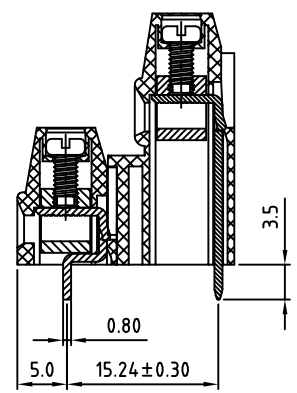
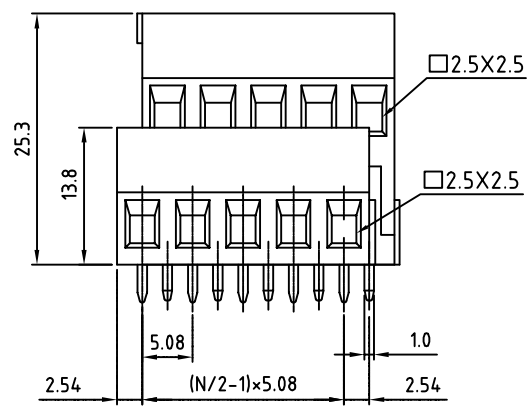
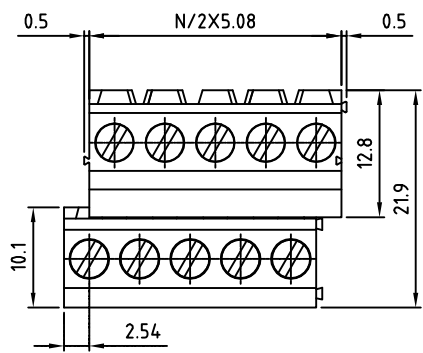
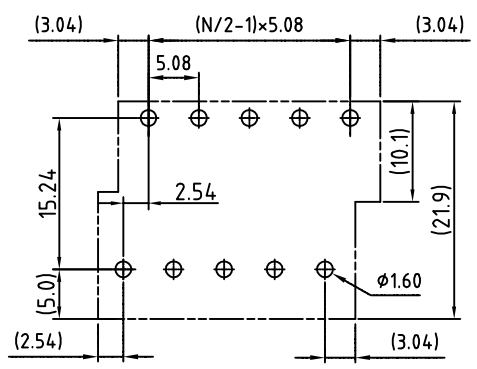


SIGN	DATE	DESCRIPTION	APPROVER
		THIS IS CAD DRAWING, DO NOT REVISE MANUALLY!!!	



N=Number of poles

P.C.B LAYOUT



Material

- Terminal body(metal housing): Brass(CuZn)
- Terminal screw: Steel Zinc plating "-" slot type
- Contacts: Brass
- Surface of solder tail: Tin plated
- Insulator (housing): Thermoplastic (UL94V-0)

Electrical

- Voltage rating: 300VAC
- Current rating: 20A
- Wire range:
  - Solid wire(AWG): 12-22
  - Stranded wire(AWG): 12-22
- Torque(Lb-In): 3.5
- Screw: M2.5
- Wire strip length: 6-7mm
- Withstanding Voltage: 1.6KV
- Operating temperature: -30°C to +105°C
- Soldering temperature: 250°C±10°C/5 Sec
- Safety Approval:

RoHS Compliant

PART NUMBER:

OSTYLXX4150

- |                |   |                     |
|----------------|---|---------------------|
| No. of Poles   | ↓ | COLOR               |
| 04: 2x02 Poles |   | 0: Black            |
| 06: 2x03 Poles |   | 5: Green (Standard) |
| :              |   | 6: Blue             |
| 48 2x24 Poles  |   | 8: Grey             |



TITLE		OSTYL-5.08mm Series "-" Left			
PART NO.		OSTYLXX4150		DWG NO. OSTYLXX4150.DWG	
APPROVED	CHECKED	DESIGNED	DRAWN	CUST NO.	Tolerance X. ±0.50 X.X ±0.30 X.XX ±0.10 X* ±1*
Shi Jun 2006.10.20	Shi Jun 2006.10.20	xionghaitao 2006.10.20	xionghaitao 2006.10.20	SHEET: 01/01	
				UNIT: mm	
				SCALE: NONE	
				REV.: D	