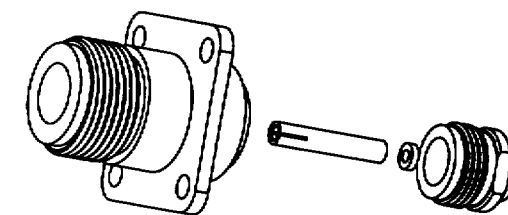


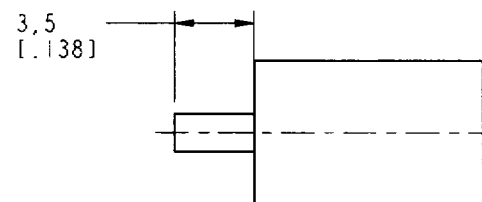
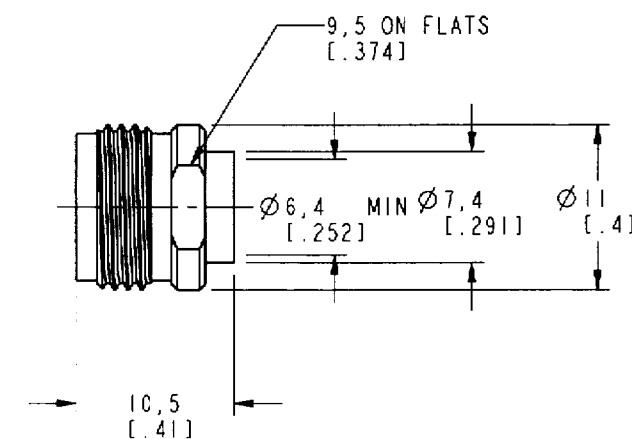
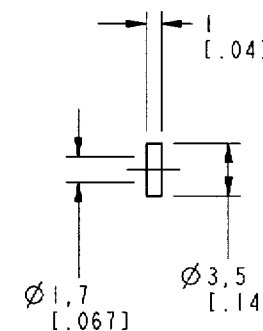
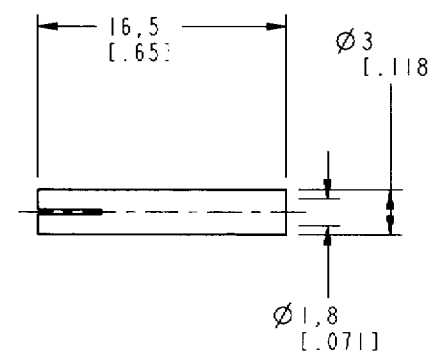
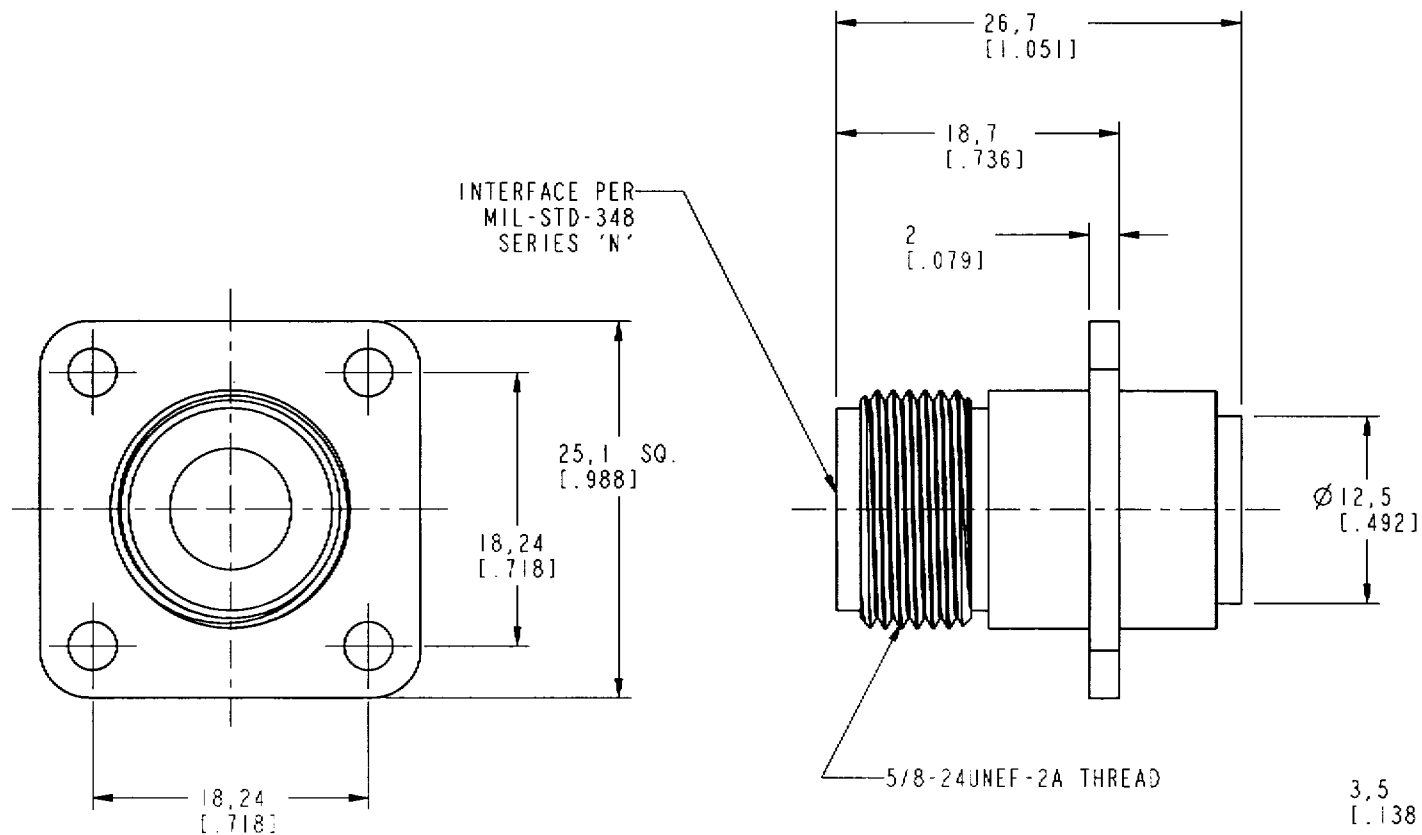
NOTES:

- 1. MATERIALS OF CONSTRUCTION:
 OUTER BODY & INNER BODY = BRASS, NICKEL PLATED
 CONTACT PIN = PHOSPHOR BRONZE, GOLD PLATED
 SOLDER NUT = BRASS, GOLD PLATED
 INSULATORS = PTFE, PER MIL-P-19468

82-6163		REVISIONS			
DRAWING NO.	REV	DESCRIPTION	DATE	ECO	APPR
THIRD ANGLE PROJ.	A	RELEASE TO MFG.	9/28/00	43530	CPM
	B	SEE SHEET 1	11/30/00	43614	CPM



SCALE 1.000



RECOMMENDED CABLE STRIPPING DIMENSIONS
SCALE 3.000

CUSTOMER OUTLINE DRAWING
FOR REFERENCE ONLY

UNLESS OTHERWISE SPECIFIED, DIMENSIONS ARE IN INCHES AND TOLERANCES ARE: 0.5 - 6mm ±0.2mm 6 - 30mm ±0.4mm 30 - 120mm ±0.6mm	MATERIAL	DRAWN C. McGRATH	DATE 25-Sep-00	TITLE 'N' PANEL JACK FOR .250 SEMI-RIGID	Amphenol Amphenol Corporation Communication and Network Products Division Danbury, CT U.S.A. 06810
	REFERENCE GEN# 82-6163_ASSY	ENGINEER O. BARTHELMES	DATE 25-Sep-00		
NOTICE - These drawings, specifications, or other data (1) are, and remain the property of Amphenol Corp. (2) must be returned upon request; and (3) are confidential and not to be disclosed to any person other than those to whom they are given by Amphenol Corp. The furnishing of these drawings, specifications, or other data by Amphenol Corp., or to any other person to anyone for any purpose is not to be regarded by implication or otherwise in any manner licensing, granting rights or permitting such holder or any other person to manufacture, use or sell any product, process or design, patented or otherwise, that may in any way be related to or disclosed by said drawings, specifications, or other data.		APPROVED O. BARTHELMES	DATE 9/28/00	CODE ID 74868	DWG SIZE B
					DRAWING NO. 82-6163

SCALE: 2.0:1 SHEET 2 OF 2