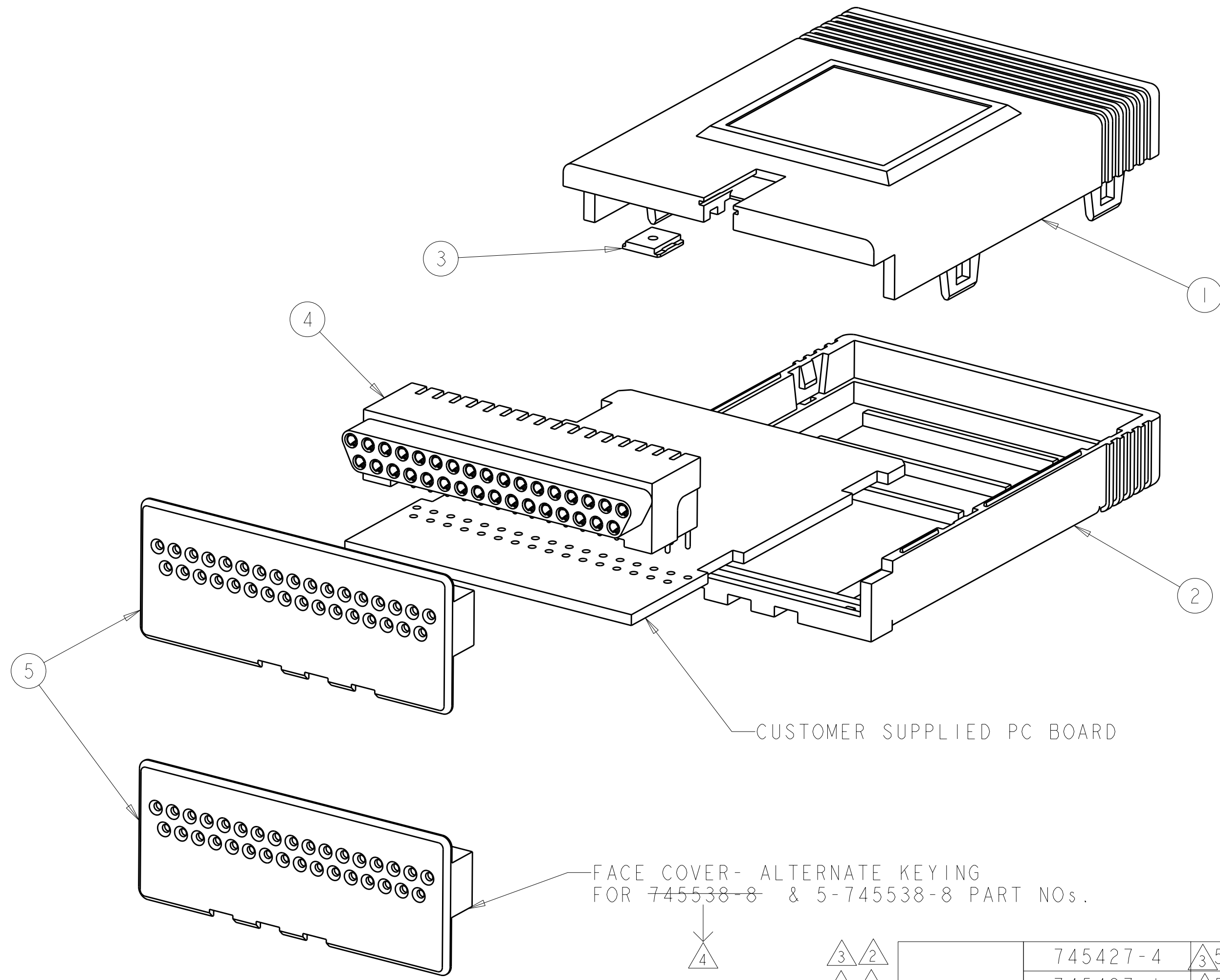


THIS DRAWING IS UNPUBLISHED. RELEASED FOR PUBLICATION
 © COPYRIGHT BY ALL RIGHTS RESERVED.

LOC	DIST	REVISIONS					
GP	00	P	LTR	DESCRIPTION	DATE	DWN	APVD
		C3		REVISED PER ECO-11-005140	23MAR2011	RK	HMR
		D		REVISED PER ECO-11-013485	29JUL2011	CJV	SLB



CUSTOMER SUPPLIED PC BOARD

FACE COVER- ALTERNATE KEYING FOR 745538-8 & 5-745538-8 PART NOs.

		745427-4		5-745447-1	745442-1	745433-1	745432-1	5-745538-8			
		745427-1		5-745447-1	745442-1	745433-1	745432-1	5-745538-5			
		745427-1		5-745447-1	745442-1	745433-1	745432-1	5-745538-1			
		745427-4		745447-1	745442-1	745433-1	745432-1	745538-8			
		745427-1		745447-1	745442-1	745433-1	745432-1	745538-5			
		745427-1		745447-1	745442-1	745433-1	745432-1	745538-1			
		FACE COVER QTY = 1		RCPT ASSY QTY = 1		SLIDE SWITCH QTY = 1		BOTTOM COVER QTY = 1		TOP COVER QTY = 1	PART NO.

- COMPONENTS BULK PACKED PER DASH NO. REFER TO PACKAGING SPEC. NO. 107-40059-1.
- COMPONENTS KIT PACKED PER DASH NO. REFER TO PACKAGING SPEC. NO. 107-40059-2.
- ROHS 2002/95/EC COMPLIANT
- OBSOLETE PARTS: OBSOLETE CIS STREAMLINING PER D.RENAUD/D.SINISI

THIS DRAWING IS A CONTROLLED DOCUMENT.

DWN	R. BROWN	22MAR2001
CHK	J. OLSON	22MAR2001
APVD	J. OLSON	22MAR2001
PRODUCT SPEC		
APPLICATION SPEC		
WEIGHT		

STE TE Connectivity

NAME: COMPLETE CARTRIDGE ASSY, FOR AMPLIMATE CONNECTOR SYSTEM

SIZE	CAGE CODE	DRAWING NO	RESTRICTED TO
A2	00779	C-745538	-

CUSTOMER DRAWING SCALE 1:2 SHEET 1 OF 1 REV D