

NOTES:

1. THIS LIGHT PIPE ASSEMBLY TO BE USED WITH SERIES 74728, 1X4 CAGES.
2. IT IS RECOMMENDED THAT THE CAGE ASSEMBLY BE PRESSED INTO OR SOLDERED TO THE PCB PRIOR TO ASSEMBLING THE LIGHT PIPE ASSEMBLY.
3. LED'S TO HAVE A MAXIMUM HEIGHT OF 1.4mm AND A MINIMUM HEIGHT OF 0.7mm
4. RECOMMENDED LED'S INCLUDE THE FOLLOWING MANUFACTURES:

- DIALIGHT: 597-77x1-5xx SERIES
- CHICAGO MINIATURE: 7016 SERIES
- KINGBRIGHT: APBL3025 SERIES (BICOLOR)  
APL3015 SERIES (SINGLE COLOR)

5. THIS PART MEETS THE RESTRICTION OF HAZARDOUS SUBSTANCES IN ELECTRICAL AND ELECTRONIC EQUIPMENT (ROHS) DIRECTIVE (2002/95/EC).

ENTER DESCRIPTION EC NO: UST2006-0124 DRWNS:IMONSON 2005/11/05 CHKCD:BRUSSELL 2005/11/05 APPR:BRUSSELL 2005/11/16	QUALITY SYMBOLS	GENERAL TOLERANCES (UNLESS SPECIFIED)		DIMENSION STYLE		SCALE	DESIGN UNITS	THIRD ANGLE PROJECTION
	$\nabla=0$ $\nabla=0$	mm	INCH	IN/MM		4:1	METRIC	
DESCRIPTION A	4 PLACES ± .005	± .005	DRAWN BY DATE		TITLE			
	3 PLACES ± .01	± .01	KS IMONSO 2005/11/05		1X4 SFP LIGHT PIPE COVER ASSEMBLY, LOW PROFILE			
REV A	2 PLACES ± 0.13	± .01	CHECKED BY DATE		MOLEX INCORPORATED			
	1 PLACE ± 0.25	± .01	BRUSSELL 2005/11/05		MATERIAL NO. SD-74728-002 DOCUMENT NO. SD-74728-002 SHEET NO. 1 OF 5			
	ANGULAR ± 1 °	± 1 °	APPROVED BY DATE		THIS DRAWING CONTAINS INFORMATION THAT IS PROPRIETARY TO MOLEX INCORPORATED AND SHOULD NOT BE USED WITHOUT WRITTEN PERMISSION			
			BRUSSELL 2005/11/05					
			DRAFT WHERE APPLICABLE MUST REMAIN WITHIN DIMENSIONS					
			SIZE D					

# PCB LAYOUT FOR BELLY TO BELLY MOUNTING

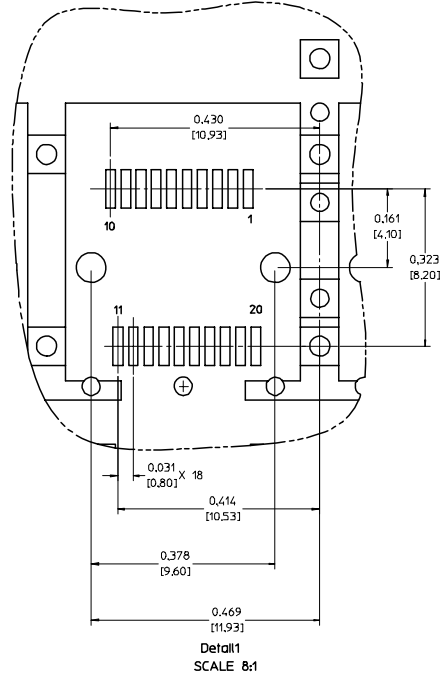
CROSS-HATCHED AREA DENOTES COMPONENT AND TRACE KEEP-OUT (EXCEPT CHASSIS GROUND)

SEE NOTE 4

SEE NOTE 4

SEE NOTE 4

## HOST CONNECTOR DETAIL



Detail1  
SCALE 8:1

$\varnothing 0.041 \pm 0.002$   
[1.05 ± 0.05] X56  
 $\varnothing .004[A|B]$

$\varnothing 0.037 \pm 0.002$   
[0.95 ± 0.05]  
 $\varnothing .004[A|B]$   
SMALLER HOLE ON THESE FOUR ROWS ONLY

THIS AREA DENOTES COMPONENT KEEP-OUT (TRACES ALLOWED)

SEE Detail1

AREA OF LIGHT PIPE COVERAGE

RECOMMENDED CENTRIX OF LED

- NOTES:**
- PADS AND VIAS GO TO CHASSIS GROUND. (64 PLACES), RECOMMENDED PADS TO BE 2mm SQUARE.
  - PLATING OPTIONAL FOR THROUGH HOLES, (16 PLACES).
  - RECOMMENDED PLATING INCLUDES HASL, IMMERSION (GOLD OR SILVER), AND OSP.
  - HOLE PATTERN REPEATS FOR EACH PORT, SPACING BETWEEN PORTS IS 5.61 [14.25].

<b>ENTER DESCRIPTION</b> EC NO: UST2006-0724 DRINKS MONSON 2005/11/05 CHFKBRUSSELL 2005/11/05 APPR:BRUSSELL 2005/11/16 A	QUALITY SYMBOLS ▽=0 ▽=0	GENERAL TOLERANCES (UNLESS SPECIFIED) mm ± --- ± --- INCH ± --- ± --- 4 PLACES ± --- ± --- 3 PLACES ± --- ± .005 2 PLACES ± 0.13 ± .01 1 PLACE ± 0.25 ± --- ANGULAR ± 1 °	DIMENSION STYLE IN/MM DRAWN BY DATE KS IMONSO 2005/11/05 CHECKED BY DATE BRUSSELL 2005/11/05 APPROVED BY DATE BRUSSELL 2005/11/05	SCALE 6:1 DESIGN UNITS METRIC THIRD ANGLE PROJECTION	TITLE 1X4 SFP LIGHT PIPE COVER ASSEMBLY, LOW PROFILE MOLEX INCORPORATED
	DRAFT WHERE APPLICABLE MUST REMAIN WITHIN DIMENSIONS	MATERIAL NO. 747280002	DOCUMENT NO. SD-74728-002	SHEET NO. 2 OF 5	
	THIS DRAWING CONTAINS INFORMATION THAT IS PROPRIETARY TO MOLEX INCORPORATED AND SHOULD NOT BE USED WITHOUT WRITTEN PERMISSION				
	SIZE D				

# PCB LAYOUT FOR SINGLE SIDE MOUNTING

CROSS-HATCHED AREA DENOTES  
COMPONENT AND TRACE KEEP-OUT  
(EXCEPT CHASSIS GROUND)

$\varnothing 0.041 \pm 0.002$   
[1.05 ± 0.05]  
[Φ] .004 [A/B] X30

$\varnothing 0.037 \pm 0.002$   
[0.95 ± 0.05]  
[Φ] .004 [A/B]  
SMALLER HOLE ON  
THESE FOUR ROWS ONLY

THIS AREA DENOTES  
COMPONENT KEEP-OUT  
(TRACES ALLOWED)

SEE NOTE 4

SEE NOTE 4

SEE NOTE 4

RECOMMENDED CENTRIX  
OF LED

AREA OF LIGHT  
PIPE COVERAGE

**NOTES:**

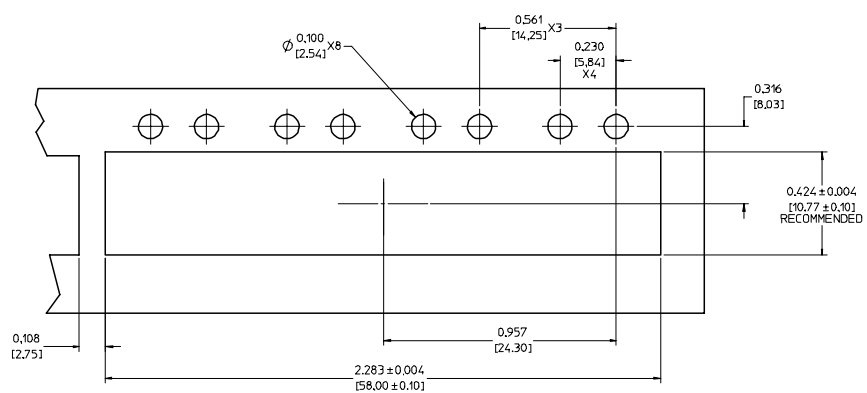
1. PADS AND VIAS GO TO CHASSIS GROUND. (34 PLACES). RECOMMENDED PADS TO BE 2mm SQUARE.
2. PLATING OPTIONAL FOR THROUGH HOLES. (12 PLACES).
3. RECOMMENDED PLATING INCLUDES HASL, IMMERSION (GOLD OR SILVER), AND OSP.
4. HOLE PATTERN REPEATS FOR EACH PORT. SPACING BETWEEN PORTS IS 5.61 [14.25].

<b>ENTER DESCRIPTION</b> EC NO: UST2006-0024 DRWNS:IMONSON 2005/11/05 CHKD:BRUSSELL 2005/11/09 APPR:BRUSSELL 2005/11/16 A	<b>QUALITY SYMBOLS</b> ▽=0 ▽=0	<b>GENERAL TOLERANCES (UNLESS SPECIFIED)</b>		<b>DIMENSION STYLE</b> IN/MM		SCALE 6:1	DESIGN UNITS METRIC	THIRD ANGLE PROJECTION		
		4 PLACES ± --- ± --- 3 PLACES ± --- ± .005 2 PLACES ± 0.13 ± .01 1 PLACE ± 0.25 ± --- ANGULAR ± 1 °	mm INCH	DRAWN BY KS IMONSO	DATE 2005/11/05	CHECKED BY BRUSSELL	DATE 2005/11/05	TITLE 1X4 SFP LIGHT PIPE COVER ASSEMBLY, LOW PROFILE		
DRAFT WHERE APPLICABLE MUST REMAIN WITHIN DIMENSIONS		MATERIAL NO. 747280002		APPROVED BY BRUSSELL		DATE 2005/11/05	MOLEX INCORPORATED		DOCUMENT NO. SD-74728-002	SHEET NO. 3 OF 5
THIS DRAWING CONTAINS INFORMATION THAT IS PROPRIETARY TO MOLEX INCORPORATED AND SHOULD NOT BE USED WITHOUT WRITTEN PERMISSION										

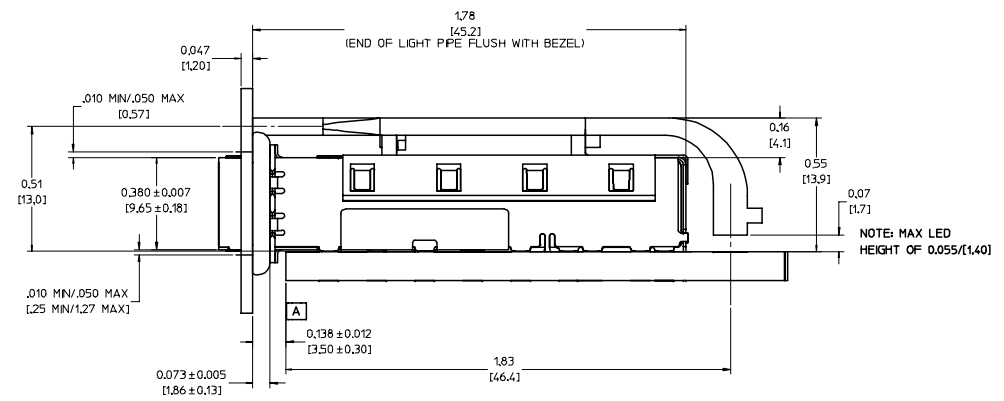
20 19 18 17 16 15 14 13 12 11 10 9 8 7 6 5 4 3 2 1

M  
L  
K  
J  
I  
H  
G  
F  
E  
D  
C  
B  
A

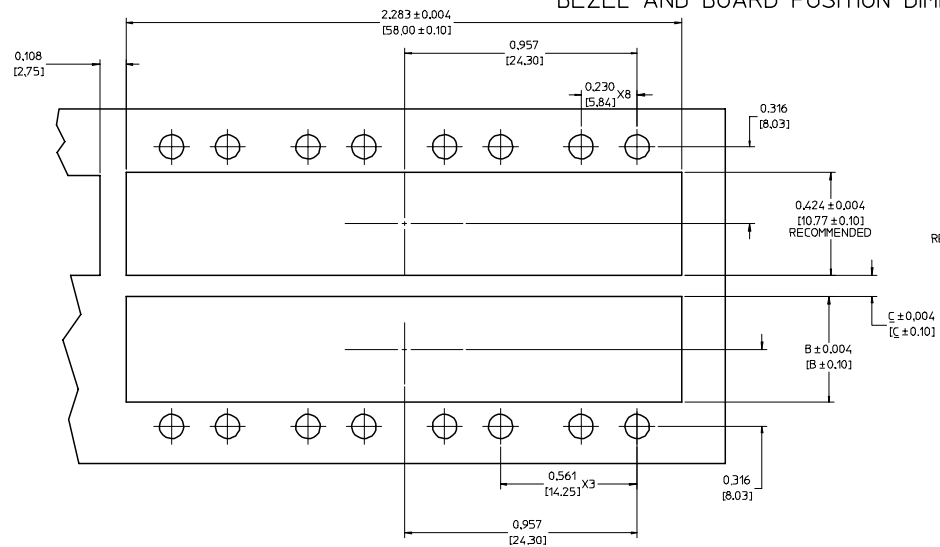
M  
L  
K  
J  
I  
H  
G  
F  
E  
D  
C  
B  
A



BEZEL AND BOARD POSITION DIMENSIONS FOR SINGLE SIDE MOUNTING



BEZEL AND BOARD POSITION DIMENSIONS FOR BELLY TO BELLY MOUNTING

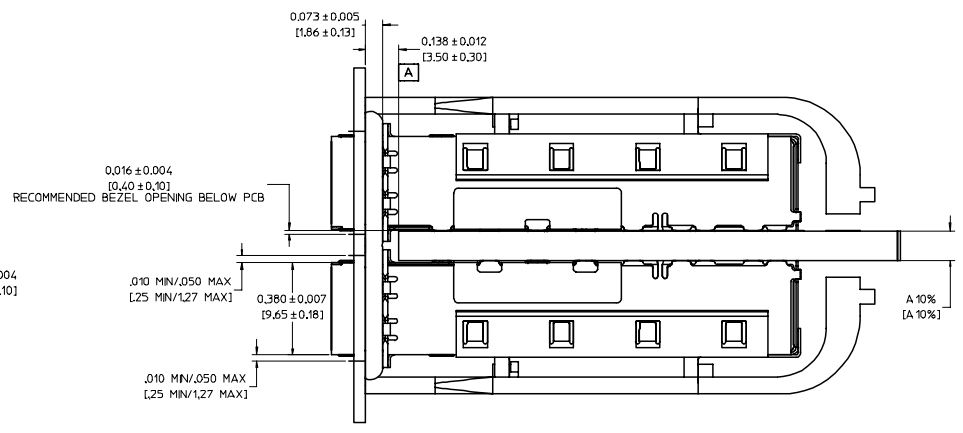


NOTE: FOR A GIVEN BOARD THICKNESS (A), DIMENSIONS (B) AND (C) ARE DIRECTLY AFFECTED.

USE RECOMMENDED DIMENSIONS AND TOLERANCES TO AID IN DEVELOPING BEZEL OPENING.

FOR EXAMPLE USING A BOARD THICKNESS OF .125" THE RECOMMENDED VALUES WOULD BE:

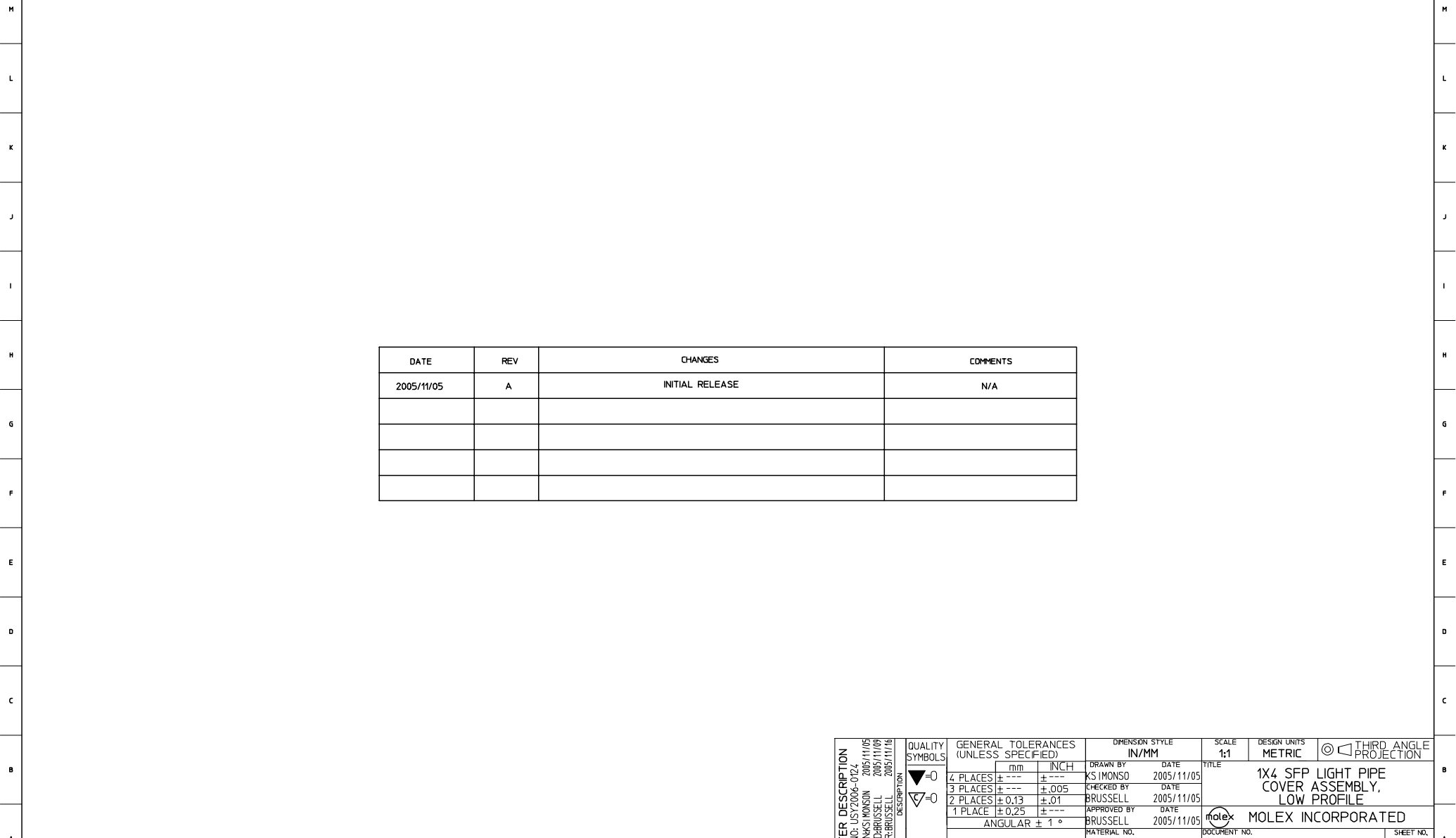
- A= .125/3.18 ± 10%
- B= .434/11.03 ± .004
- C= .088/2.23 ± .004



19 18 17 16 15 14 13 12 11 10 9 8 7 6 5 4 3 2 1

<b>ENTER DESCRIPTION</b> EC NO: UST2006-0724 DRINKS MONSON 2005/11/05 CHFKBRUSSELL 2005/11/05 APPR: BRUSSELL 2005/11/16	<b>QUALITY SYMBOLS</b> ▽=0 ▽=0	<b>GENERAL TOLERANCES (UNLESS SPECIFIED)</b>		<b>DIMENSION STYLE</b> IN/MM		SCALE 4:1	DESIGN UNITS METRIC	THIRD ANGLE PROJECTION
		4 PLACES ± --- ± --- 3 PLACES ± --- ± .005 2 PLACES ± 0.13 ± .01 1 PLACE ± 0.25 ± --- ANGULAR ± 1 °	mm INCH	DRAWN BY KS IMONSO	DATE 2005/11/05	TITLE 1X4 SFP LIGHT PIPE COVER ASSEMBLY, LOW PROFILE		
		DRAFT WHERE APPLICABLE MUST REMAIN WITHIN DIMENSIONS	MATERIAL NO. 747280002	CHECKED BY BRUSSELL	DATE 2005/11/05	MOLEX INCORPORATED		
		DOCUMENT NO. SD-74728-002	SHEET NO. 4 OF 5	THIS DRAWING CONTAINS INFORMATION THAT IS PROPRIETARY TO MOLEX INCORPORATED AND SHOULD NOT BE USED WITHOUT WRITTEN PERMISSION				

20 19 18 17 16 15 14 13 12 11 10 9 8 7 6 5 4 3 2 1



DATE	REV	CHANGES	COMMENTS
2005/11/05	A	INITIAL RELEASE	N/A

<b>ENTER DESCRIPTION</b> EC NO: UST2006-0124 DRWN:KS IMONSON 2005/11/05 CHKD:BRUSSELL 2005/11/05 APPR:BRUSSELL 2005/11/16 A	QUALITY SYMBOLS ▽=0 ▽=0	GENERAL TOLERANCES (UNLESS SPECIFIED)		DIMENSION STYLE IN/MM		SCALE 1:1	DESIGN UNITS METRIC	THIRD ANGLE PROJECTION		
		4 PLACES ± --- ± --- 3 PLACES ± --- ± .005 2 PLACES ± 0.13 ± .01 1 PLACE ± 0.25 ± ---	mm INCH	DRAWN BY KS IMONSON	DATE 2005/11/05	TITLE 1X4 SFP LIGHT PIPE COVER ASSEMBLY, LOW PROFILE				
		ANGULAR ± 1 °		CHECKED BY BRUSSELL	DATE 2005/11/05	APPROVED BY BRUSSELL			DATE 2005/11/05	MOLEX INCORPORATED
		DRAFT WHERE APPLICABLE MUST REMAIN WITHIN DIMENSIONS		MATERIAL NO. 747280002	DOCUMENT NO. SD-74728-002	SHEET NO. 5 OF 5				

19 18 17 16 15 14 13 12 11 10 9 8 7 6 5 4 3 2 1