

A

B

C

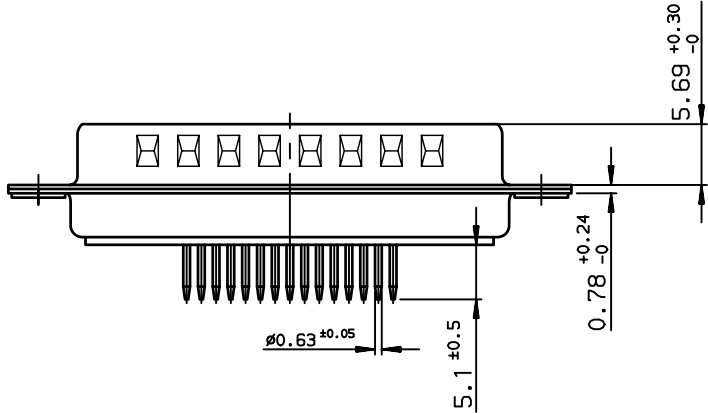
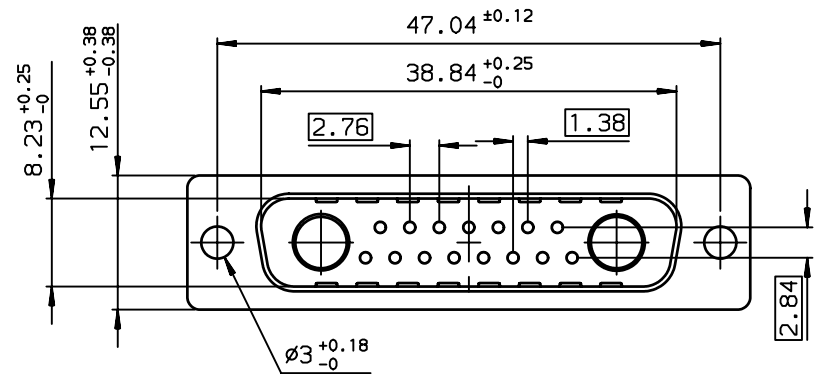
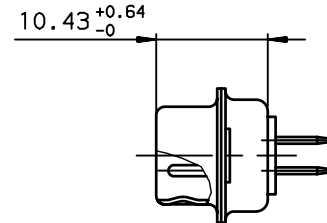
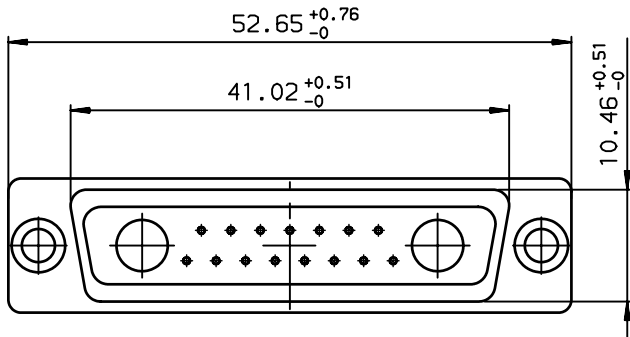
D

A

B

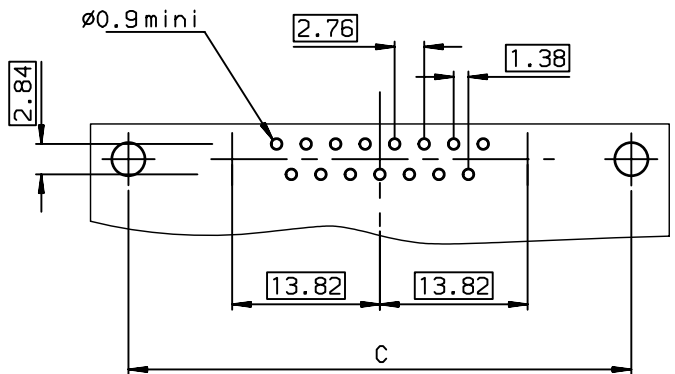
C

D



LAYOUT DIMENSIONS (after plating)
CONNECTOR SIDE VIEW

DB17W2P300A00LF
PART NUMBER



GENERAL CHARACTERISTICS AND ROHS INFORMATIONS:
SEE DRAWING C01-8639-0000

European Views

www.fciconnect.com		surface ISO 1302	tolerance std ISO 406 ISO 1101	projection mm	size A3		Scale 2
		TOLERANCES UNLESS OTHERWISE SPECIFIED				ECN LS06-0095	
Dr	PESSON	2005/12/01	ANGULAR	0.X	±0.1	Spec ref -	
Eng	PESSON	2005/12/01	LINEAR	0.XX	±0.1		
Chr	LEGARE	2005/12/01	0.XX' ±2'	0.XXX	±0.1		
Appr	LEGARE	2005/12/01	Product family		D-SUB		
FCJ		title PIN CONNECTOR WITH STRAIGHT SPILL.			dwg no C01-8639-2257		Rev. B
		catalog no		CUSTOMER		sheet 1 of 1	

rev	ecn no	dr	date
A	LS05-0106	MPE	2005/12/01
B	LS06-0095	LGO	2006/06/16
-	-	-	-
-	-	-	-
-	-	-	-
-	-	-	-



Copyright FCJ.