

PART NAME: HANDLE SCALE: 1:1 DATE: 11/25/70 DR. BY NH

THIS DRAWING IS THE PROPERTY OF DAVIES MOLDING COMPANY, IS SUBMITTED SOLELY AS A DESIGN OR ENGINEERING PROJECT. WE ACCEPT NO RESPONSIBILITY WHATSOEVER FOR THE PRACTICAL APPLICATION OF THE PIECES MADE TO THIS DESIGN.

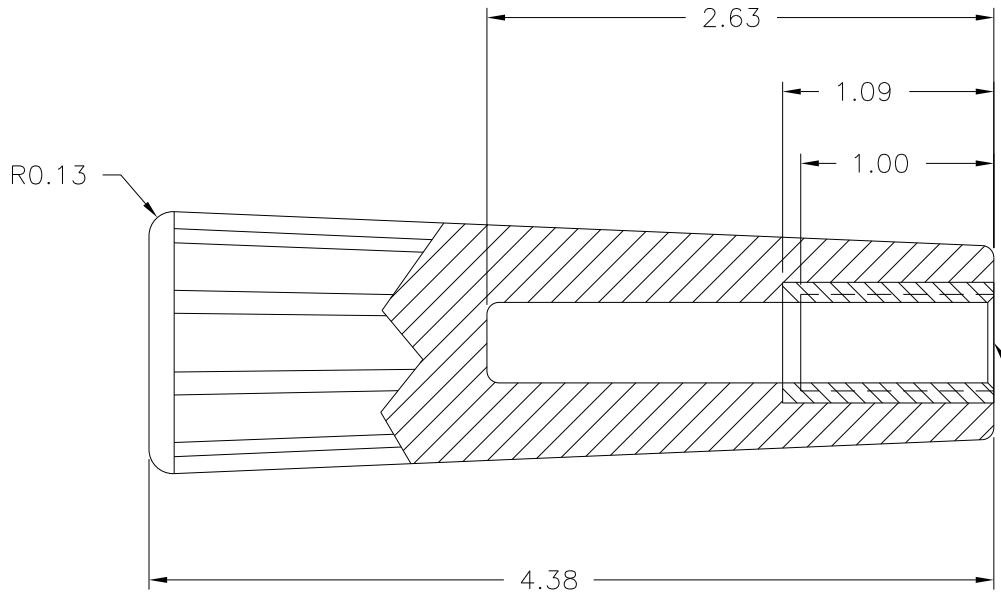


DESIGNERS & MANUFACTURERS OF KNOBS, HANDLES, CASES & CUSTOM PLASTIC COMPONENTS

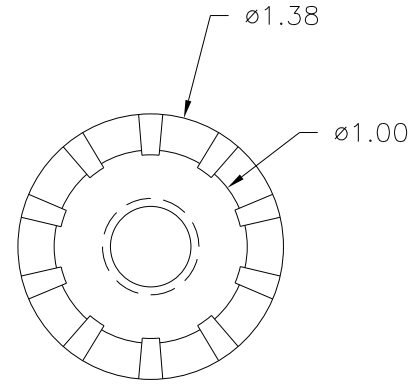
P/N 0698-F

BASE PART 0698-05

(B)



1/2-13 UNC-2B THREADED
10781, H.H. BRASS
(RETAP INSERT)



MATERIAL: G.P. PHENOLIC (B11) (A)
COLOR: BLACK

TOLERANCES: UNLESS OTHERWISE SPECIFIED	DO NOT SCALE DRAWING			
DECIMALS: X.XXX ± .005 X.XX ± .015	MM: X.XX ± 0.15MM X.X ± 0.4MM	B	ADDED BASE PART	JAM 1/17/14
		-	RE-DID REDRAW	TL 8/16/99
		A	CAD REDRAW UPDATED DWG	HD 6/14/95
FRACTIONS ± 1/64	ANG. ± 1°	CHANGES		