

# 4700 and 4800 series

## Momentary or alternate action pushbutton switches

*Distinctive features and specifications*

UG1410A



- Butt action contacts
- UL, CSA and VDE (EN 61058-1) approved

### ELECTRICAL SPECIFICATIONS

- Max. current/voltage rating with resistive load :
  - silver contacts (A) : 3A 250VAC - 6A 125VAC
  - copper contacts (C) : 2A 250VAC - 4A 125VAC
- Initial contact resistance : 10 mΩ max.
- Insulation resistance : 1.000 MΩ min. at 500VDC
- Dielectric strength : 2.000 Vrms 50 Hz min. between terminals  
3.000 Vrms 50 Hz min. between terminals and frame
- Electrical life : 10.000 cycles at full load

### MATERIALS

- Case : melamine-phenolic
- Plunger : polyamide
- Bushing : polyamide
- Contacts : **A** : silver  
**C** : copper, silver plated

### GENERAL SPECIFICATIONS

- Torque : 0,95 Nm (.70 Ft.lb) max. applied to nut
- Panel thickness : 5 mm (.196) max. between 2 nuts
- Total travel : 4,5 mm (.177) +/- 0,5 (.019)
- Operating temperature : -20°C to +65°C
- Hand soldering : 270°C max. for 10 seconds max. - Iron Ø 3 mm (.118)

### APPROVALS



Models 4731A, 4736A, 4741A, 4746A are UL, CSA and VDE (EN 61058-1) approved.

Models 4831A, 4836A, 4841A, 4846A are VDE (EN 61058-1) approved.

**Marking** : to order switches marked UL/CSA, complete appropriate box of ordering format. VDE is standard marked.

**Dimensions** : first dimensions are in mm while inches are shown as bracketed numbers.



**Sealing boots** are available to protect the switches against dust and water. They are presented in section H.



**Mounting accessories** : standard hardware supplied with all models : 1 hex nut U166 and 1 knurled nut U520 in the same colour as the plunger. They are presented in section I.



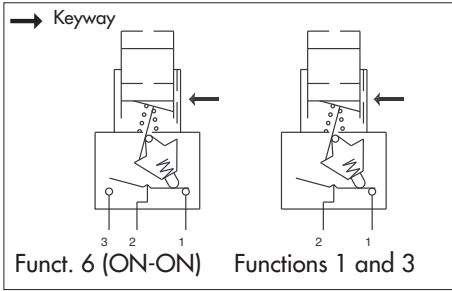
**Packaging unit** : single pole models : 40 pieces - Double pole models : 20 pieces.

The company reserves the right to change specifications without notice.

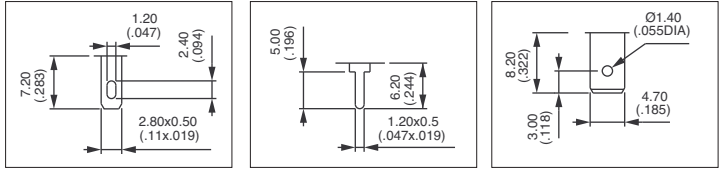
# 4700 and 4800 series

## Momentary or alternate action pushbutton switches

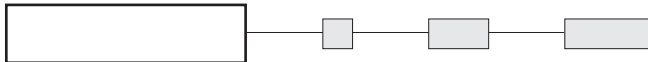
Solder lug/quick-connect or straight PC terminals



- 1 and 2 pole configurations
- Button returns in upper position after actuation.
- Panel cut-out :  
 $\varnothing 12,2 (.480)$



### MODEL STRUCTURE

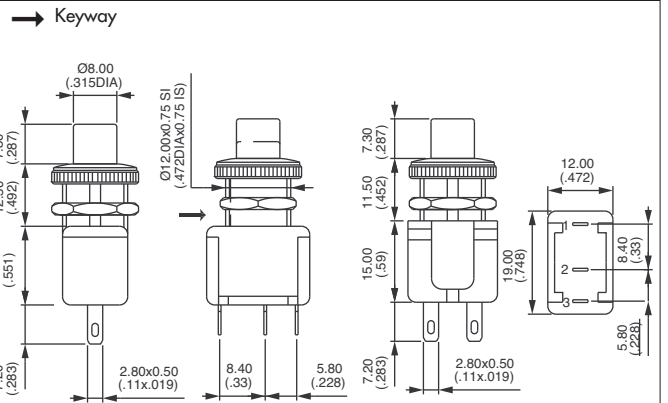


B2

### Solder lug/quick-connect terminals



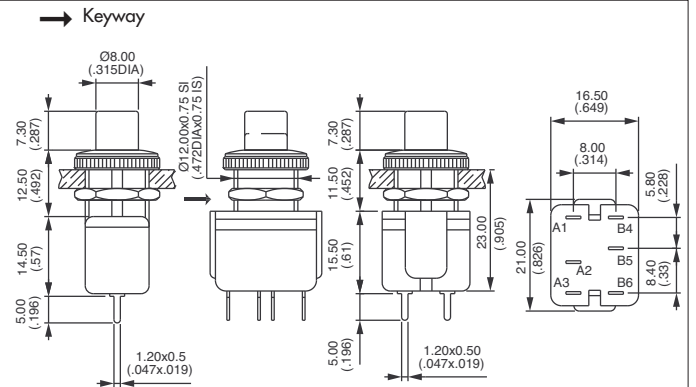
| Single pole | Double pole | ON  | - | OFF |
|-------------|-------------|-----|---|-----|
| 4731        | 4741        | ON  | - | OFF |
| 4736        | 4746        | ON  | - | ON  |
| 4733        | 4743        | OFF | - | MOM |



### Straight PC terminals



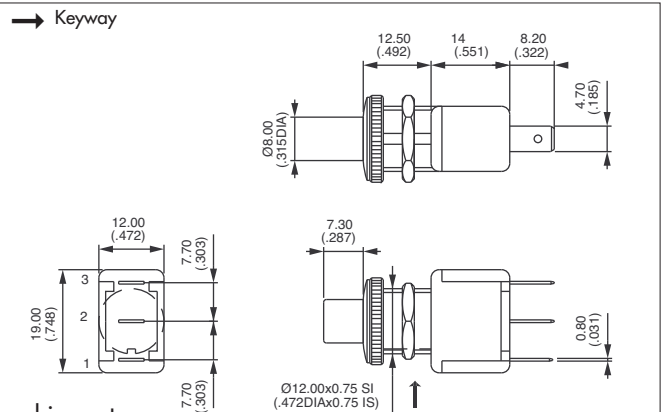
| Single pole | Double pole | ON  | - | OFF |
|-------------|-------------|-----|---|-----|
| 4831        | 4841        | ON  | - | OFF |
| 4836        | 4846        | ON  | - | ON  |
| 4833        | 4843        | OFF | - | MOM |



### Quick-connect terminals 4,7 x 0,8 (.185 x .031)



|        |     |   |     |
|--------|-----|---|-----|
| 4731/8 | ON  | - | OFF |
| 4736/8 | ON  | - | ON  |
| 4733/8 | OFF | - | MOM |



Available with silver contacts only.  
 Minimum order : 1 000 pieces per type in one shipment.



# 4700 and 4800 series

Momentary or alternate action pushbutton switches

## CONTACT MATERIALS



- A Silver
- C Copper, silver plated (not available on models with quick-connect terminals /8)

## ACTUATOR COLOURS



- 01 Blue
- 02 Black
- 03 Green
- 05 Yellow
- 06 Red
- 07/1 White
- 09 Orange

## APPROVALS



UU (UL-CSA)

**Availability** : see specifications for details or approved models.

**Marking** : to order switches marked UL-CSA, complete above box with "UU".  
VDE approval is standard marked.