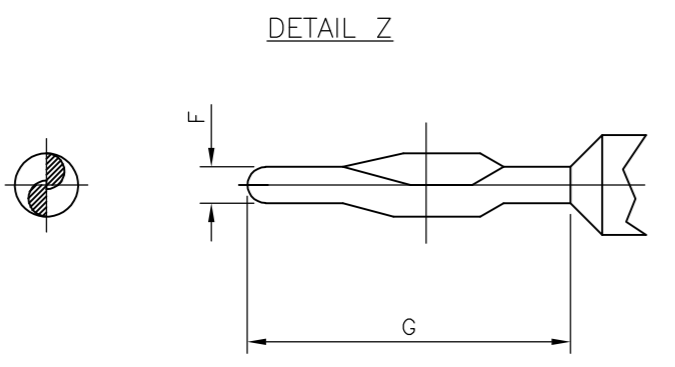
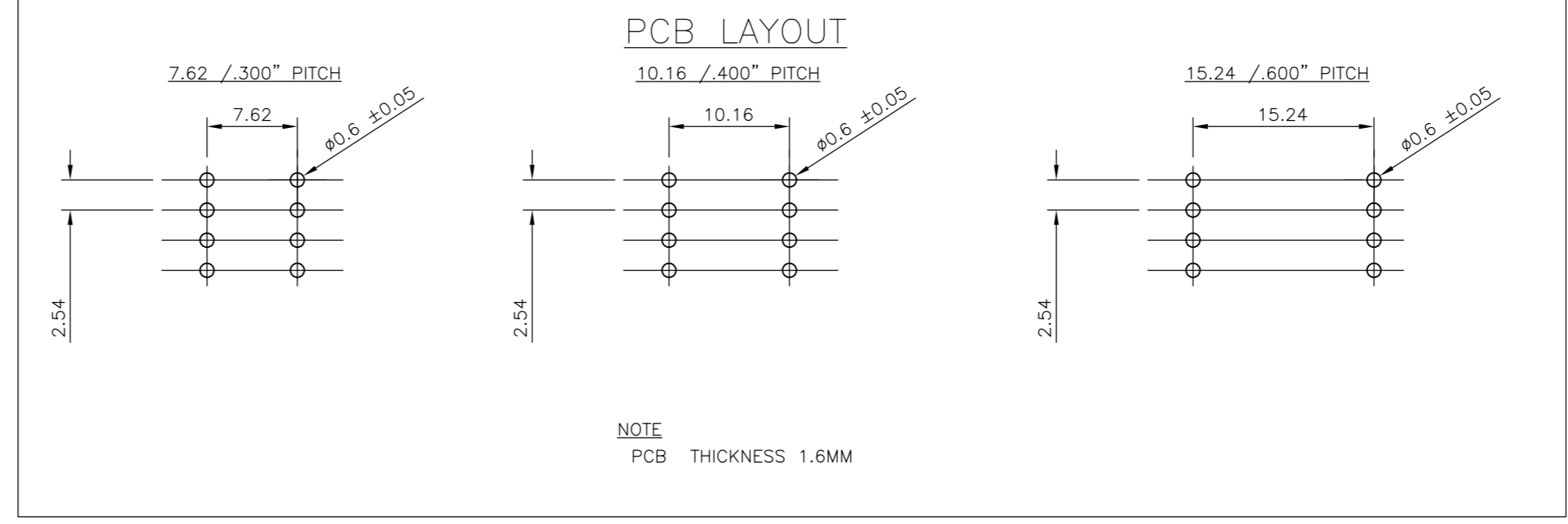
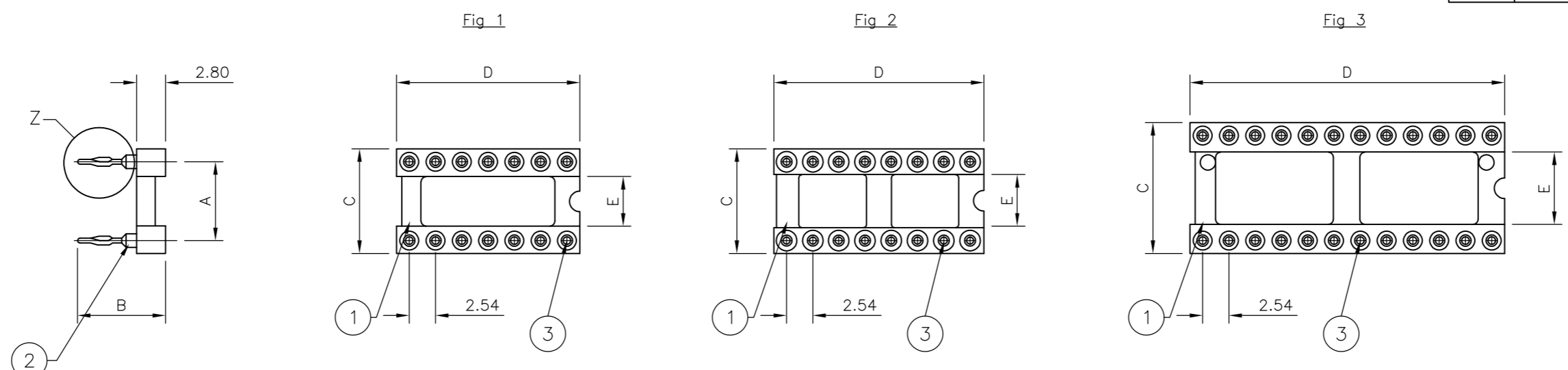


THIS DRAWING IS UNPUBLISHED. RELEASED FOR PUBLICATION 01NOV, 2005.
 © COPYRIGHT 2005 BY TYCO ELECTRONICS CORPORATION. ALL RIGHTS RESERVED.

LOC		DIST		REVISIONS			
P	LTR	DESCRIPTION	DATE	DWN	APVD		
	A	FIRST ISSUE	01/11/05	AM	FWK		
	A1	REVISED PER ECO-09-024927	09NOV09	KK	AEK		



- NOTES:**
- MATERIAL:**
 - 1, INSULATOR - THERMOPLASTIC POLYESTER UL-94-V-0.
 - 2, SLEEVE - CuSn.
 - 3, CONTACT - STAMPED BERYLLIUM COPPER.
 - PIN SPECIFICATION:**
 - CONTACT ACCEPTS: ROUND PIN Ø0.40 TO 0.56.
 - RECTANGULAR PIN 0.25 x 0.45 (NOMINAL).
 - MECHANICAL DATA:**
 - INSERTION FORCE- 3.2N MAX/CONTACT.
 - EXTRACTION FORCE- 0.5N MIN/CONTACT.
 - MECHANICAL LIFE- 100 CYCLES MIN (0.75µm Au)
 - 50 CYCLES MAX (FLASH Au)
 - 25 CYCLES MAX (5µm Sn)
 - 3.3N MIN.
 - ELECTRICAL:**
 - CONTACT RESISTANCE- 10m Ohm MAX.
 - CONTACT RATING- 1Amp
 - INSULATION RESISTANCE- AT 500V AC BETWEEN ANY 2 ADJACENT CONTACTS MIN 10000m Ohm.
 - DIELECTRIC VOLTAGE- MIN 1000V RMS.
 - ENVIRONMENTAL:**
 - OPERATION TEMPERATURE- -55 +125°C
 - TUBE PACKAGED WITH NUMBER OF PARTS PER TUBE AS INDICATED IN TABLE.** EACH TUBE TO BE INDIVIDUALLY LABELLED. THE LABEL WILL HAVE TYCO PART NUMBER, XX QTY PER TUBE, DATE CODE AND RoHS DIRECTIVE DETAILS (RoHS 2002/95/EC). OUTER BOX / SHIPPER CARTON TO BE LABELLED WITH TYCO PART NUMBER, TOTAL XXX QTY PER OUTER BOX / SHIPPER CARTON, DATE CODE AND RoHS DIRECTIVE DETAILS (RoHS 2002/95/EC).

OBSOLETE

12	FLASH Au	3µm Sn OVER 2-3µm Ni	4.05	0.5	7	40.6	12.6	8.5	10.16	32	3	3-1814654-0
12	5µm MIN Sn	3µm Sn OVER 2-3µm Ni	4.05	0.5	7	40.6	12.6	8.5	10.16	32	3	2-1814654-9
12	0.75µm Au	3µm Sn OVER 2-3µm Ni	4.05	0.5	7	40.6	12.6	8.5	10.16	32	3	2-1814654-8
14	FLASH Au	3µm Sn OVER 2-3µm Ni	4.05	0.5	7	35.5	12.6	8.5	10.16	28	3	2-1814654-7
14	5µm MIN Sn	3µm Sn OVER 2-3µm Ni	4.05	0.5	7	35.5	12.6	8.5	10.16	28	3	2-1814654-6
14	0.75µm Au	3µm Sn OVER 2-3µm Ni	4.05	0.5	7	35.5	12.6	8.5	10.16	28	3	2-1814654-5
14	FLASH Au	3µm Sn OVER 2-3µm Ni	4.05	0.5	4.8	35.5	10.1	8.5	7.62	28	2	2-1814654-4
14	5µm MIN Sn	3µm Sn OVER 2-3µm Ni	4.05	0.5	4.8	35.5	10.1	8.5	7.62	28	2	2-1814654-3
14	0.75µm Au	3µm Sn OVER 2-3µm Ni	4.05	0.5	4.8	35.5	10.1	8.5	7.62	28	2	2-1814654-2
17	FLASH Au	3µm Sn OVER 2-3µm Ni	4.05	0.5	7	30.4	12.6	8.5	10.16	24	2	2-1814654-1
17	5µm MIN Sn	3µm Sn OVER 2-3µm Ni	4.05	0.5	7	30.4	12.6	8.5	10.16	24	2	2-1814654-0
17	0.75µm Au	3µm Sn OVER 2-3µm Ni	4.05	0.5	7	30.4	12.6	8.5	10.16	24	2	1-1814654-9
17	FLASH Au	3µm Sn OVER 2-3µm Ni	4.05	0.5	4.8	30.4	10.1	8.5	7.62	24	2	1-1814654-8
17	5µm MIN Sn	3µm Sn OVER 2-3µm Ni	4.05	0.5	4.8	30.4	10.1	8.5	7.62	24	2	1-1814654-7
17	0.75µm Au	3µm Sn OVER 2-3µm Ni	4.05	0.5	4.8	30.4	10.1	8.5	7.62	24	2	1-1814654-6
18	FLASH Au	3µm Sn OVER 2-3µm Ni	4.05	0.5	7	27.8	12.6	8.5	10.16	22	2	1-1814654-5
18	5µm MIN Sn	3µm Sn OVER 2-3µm Ni	4.05	0.5	7	27.8	12.6	8.5	10.16	22	2	1-1814654-4
18	0.75µm Au	3µm Sn OVER 2-3µm Ni	4.05	0.5	7	27.8	12.6	8.5	10.16	22	2	1-1814654-3
20	FLASH Au	3µm Sn OVER 2-3µm Ni	4.05	0.5	4.8	25.3	10.1	8.5	7.62	20	2	1-1814654-2
20	5µm MIN Sn	3µm Sn OVER 2-3µm Ni	4.05	0.5	4.8	25.3	10.1	8.5	7.62	20	2	1-1814654-1
20	0.75µm Au	3µm Sn OVER 2-3µm Ni	4.05	0.5	4.8	25.3	10.1	8.5	7.62	20	2	1-1814654-0
29	FLASH Au	3µm Sn OVER 2-3µm Ni	4.05	0.5	4.8	20.3	10.1	8.5	7.62	16	1	1814654-9
29	5µm MIN Sn	3µm Sn OVER 2-3µm Ni	4.05	0.5	4.8	20.3	10.1	8.5	7.62	16	1	1814654-8
29	0.75µm Au	3µm Sn OVER 2-3µm Ni	4.05	0.5	4.8	20.3	10.1	8.5	7.62	16	1	1814654-7
29	FLASH Au	3µm Sn OVER 2-3µm Ni	4.05	0.5	4.8	17.7	10.1	8.5	7.62	14	1	1814654-6
29	5µm MIN Sn	3µm Sn OVER 2-3µm Ni	4.05	0.5	4.8	17.7	10.1	8.5	7.62	14	1	1814654-5
29	0.75µm Au	3µm Sn OVER 2-3µm Ni	4.05	0.5	4.8	17.7	10.1	8.5	7.62	14	1	1814654-4
52	FLASH Au	3µm Sn OVER 2-3µm Ni	4.05	0.5	4.8	10.1	10.1	8.5	7.62	8	1	1814654-3
52	5µm MIN Sn	3µm Sn OVER 2-3µm Ni	4.05	0.5	4.8	10.1	10.1	8.5	7.62	8	1	1814654-2
52	0.75µm Au	3µm Sn OVER 2-3µm Ni	4.05	0.5	4.8	10.1	10.1	8.5	7.62	8	1	1814654-1
No. Of Parts Per Tube	Contact Plating	Sleeve Plating	G	ØF	E	D	C	B	A	Number Of Positions	Fig	Part No

THIS DRAWING IS A CONTROLLED DOCUMENT.

DWN: A. Morey 01NOV05
 CHK: S. Parlow 04NOV05
 APVD: F. Wheeler-King 04NOV05

Tyco Electronics Corporation
 Bideford, UK, EX39 4HE

NAME: DIP SOCKET PRESS FIT

SIZE: A2 CAGE CODE: 00779 DRAWING NO: C=1814654 RESTRICTED TO: -

SCALE: 2:1 SHEET: 1 OF 2 REV: A1


CUSTOMER DRAWING

THIS DRAWING IS UNPUBLISHED. RELEASED FOR PUBLICATION 01NOV ,2005.
 © COPYRIGHT 2005 BY TYCO ELECTRONICS CORPORATION. ALL RIGHTS RESERVED.

LOC	DIST	REVISIONS					
E	B	P	LTR	DESCRIPTION	DATE	DWN	APVD
		-		SEE SHEET 1	-	-	-

Part No	Fig	Number Of Positions	Dimensions							Sleeve Plating	Contact Plating	No. Of Parts Per Tube
			A	B	C	D	E	øF	G			
3-1814654-1	2	32	15.24	8.5	17.7	40.6	10.5	0.5	4.05	3µm Sn OVER 2-3µm Ni	0.75µm Au	12
3-1814654-2	2	32	15.24	8.5	17.7	40.6	10.5	0.5	4.05	3µm Sn OVER 2-3µm Ni	5µm MIN Sn	12
3-1814654-3	2	32	15.24	8.5	17.7	40.6	10.5	0.5	4.05	3µm Sn OVER 2-3µm Ni	FLASH Au	12
3-1814654-4	3	36	15.24	8.5	17.7	45.7	10.5	0.5	4.05	3µm Sn OVER 2-3µm Ni	0.75µm Au	11
3-1814654-5	3	36	15.24	8.5	17.7	45.7	10.5	0.5	4.05	3µm Sn OVER 2-3µm Ni	5µm MIN Sn	11
3-1814654-6	3	36	15.24	8.5	17.7	45.7	10.5	0.5	4.05	3µm Sn OVER 2-3µm Ni	FLASH Au	11
3-1814654-7	3	40	15.24	8.5	17.7	50.8	10.5	0.5	4.05	3µm Sn OVER 2-3µm Ni	0.75µm Au	10
3-1814654-8	3	40	15.24	8.5	17.7	50.8	10.5	0.5	4.05	3µm Sn OVER 2-3µm Ni	5µm MIN Sn	10
3-1814654-9	3	40	15.24	8.5	17.7	50.8	10.5	0.5	4.05	3µm Sn OVER 2-3µm Ni	FLASH Au	10

OBSOLETE



THIS DRAWING IS A CONTROLLED DOCUMENT.		DWN A. Morey 01NOV05	Tyco Electronics Corporation Bideford, UK, EX39 4HE	
DIMENSIONS: mm		CHK S. Parlow 04NOV05	NAME DIP SOCKET PRESS FIT	
TOLERANCES UNLESS OTHERWISE SPECIFIED:		APVD F. Wheeler-King 04NOV05	SIZE A2	
0 PLC ± - 1 PLC ± - 2 PLC ± - 3 PLC ± - 4 PLC ± - ANGLES ± -		PRODUCT SPEC APPLICATION SPEC	CAGE CODE 00779	DRAWING NO C=1814654
MATERIAL -	FINISH -	WEIGHT -	SCALE NTS	SHEET 2 OF 2
CUSTOMER DRAWING			RESTRICTED TO -	REV A1

1814654