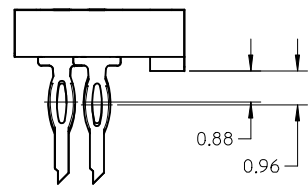
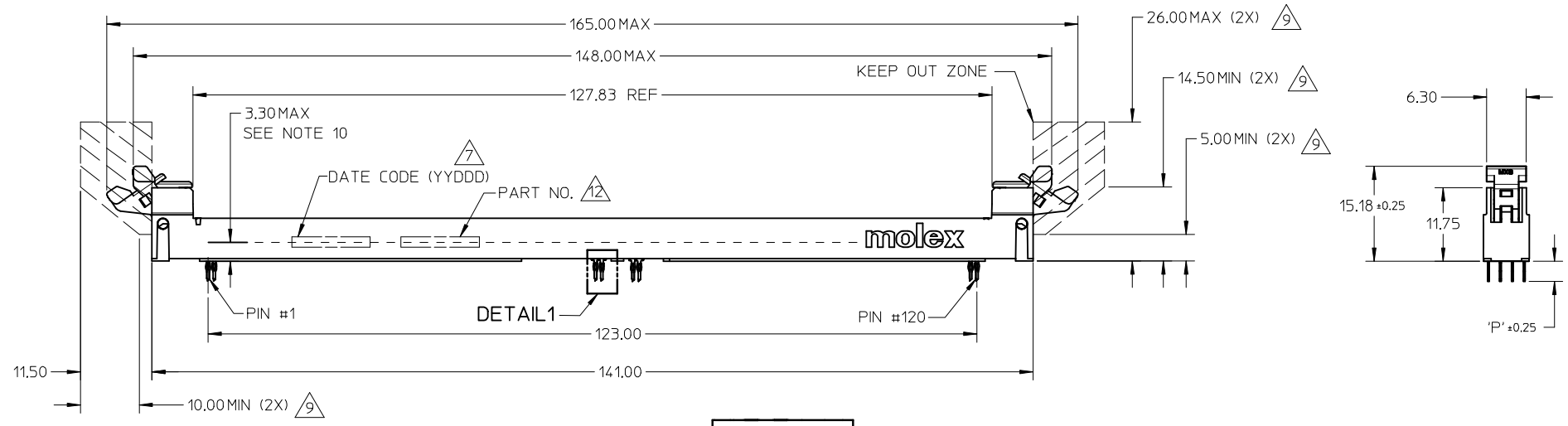
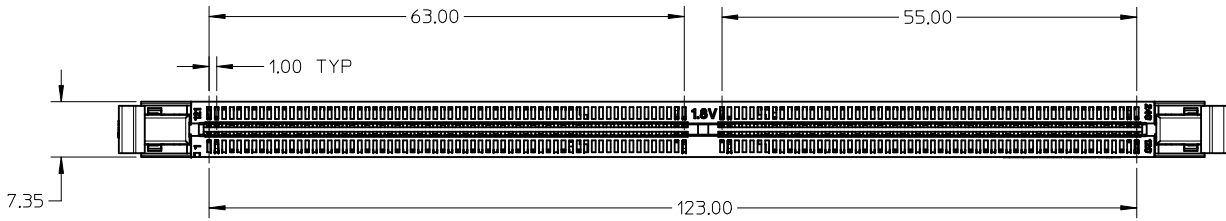


10 9 8 7 6 5 4 3 2 1



- NOTES:
- MATERIALS
HOUSING - HIGH TEMP NYLON GLASS FILLED, UL 94V-0,COLOR - BLACK
EJECTOR - HIGH TEMP NYLON 46, COLOR: BLACK
TERMINAL - PHOSPHOR BRONZE
 - PLATING - SEE TABLE IN SHEET 4.
 - CARD SLOT ACCEPTS 1.27±0.10MM MODULE THICKNESS.
 - RECOMMENDED MODULE LAYOUT SHALL BE AS PER JEDEC MO-237.
 - REFER TO PRODUCT SPEC. PS-78065-100 FOR PERFORMANCE SPECIFICATIONS.
 - PRODUCT SHALL BE PACKED IN TRAY.
 - PRODUCT SHALL HAVE DATE CODE STAMPED ON SIDE OF HOUSING.
 - KEEP OUT AREA IS THE AREA WHERE THE CONNECTOR IS MOUNTED ONTO THE PCB WHICH DOES NOT INCLUDE THE LATCH.
 - KEEP OUT ZONE AS PER JEDEC SO-001.
 - DIMM MODULE SEATING PLANE FROM TOP OF PCB.
 - CONTACT MOLEX FOR AVAILABILITY OF PRODUCT OPTIONS.
 - PART NUMBER SHALL BE MARKED LEGIBLY AS 78065-****.

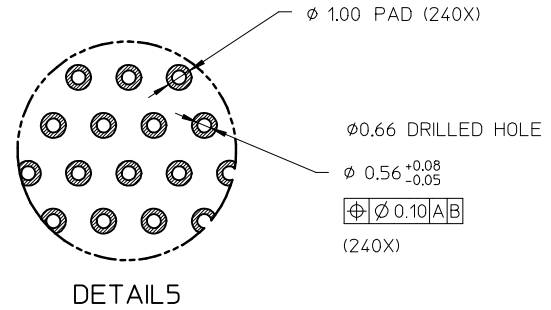
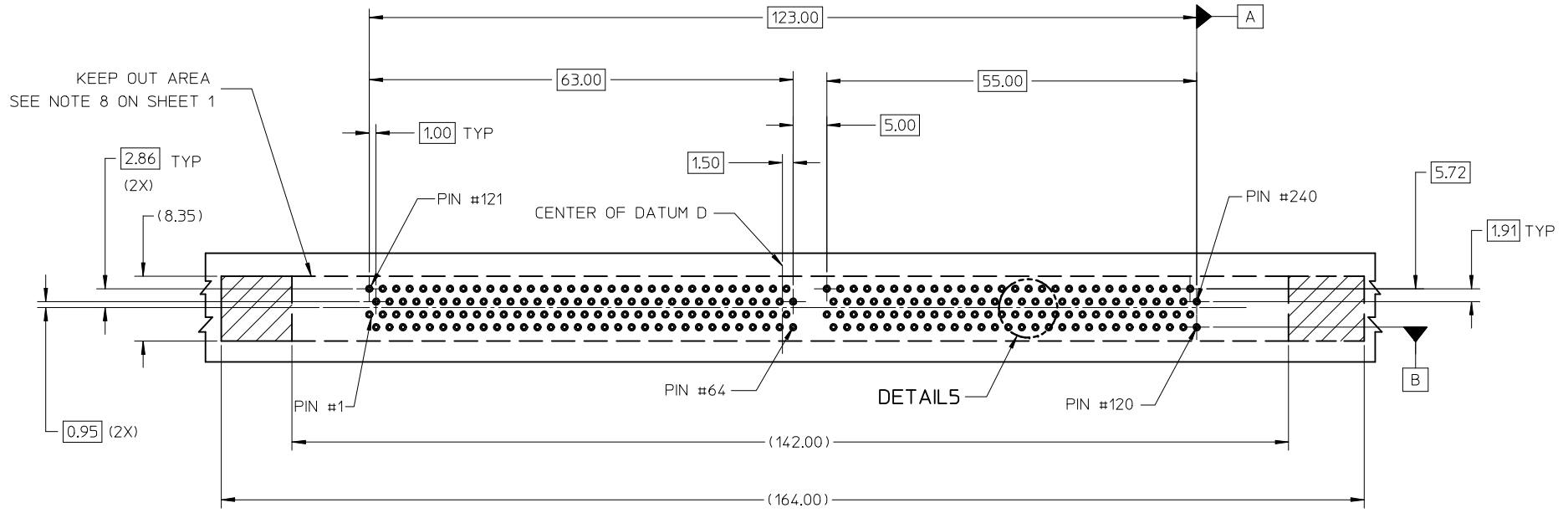
DETAIL1

OBS TIN/LEAD P/N EC NO: S2014-0373 DRWN:SKANG 2013/10/14 CHKD:MLONG 2014/01/27 APPR:MLONG 2014/02/06	QUALITY SYMBOLS F _A =0 F _C =0 F _P =0	GENERAL TOLERANCES (UNLESS SPECIFIED)		DIMENSION STYLE MM ONLY		SCALE NTS	DESIGN UNITS METRIC	THIRD ANGLE PROJECTION	
			mm	INCH	DRAWN BY VMANICKAM	DATE 2006/04/11	TITLE VLP DDR2 DIMM, 1MM PITCH 240 CKTS, VERT. PRESSFIT		
		4 PLACES	± ---	± ---	CHECKED BY SHLENI	DATE 2006/06/22	molex		
		3 PLACES	± ---	± ---	APPROVED BY SRRAMESH	DATE 2006/06/22			
	2 PLACES	± 0.20	± ---	MATERIAL NO.		DOCUMENT NO.	SHEET NO.		
	1 PLACE	± ---	± ---	SEE TABLE		SD-78065-001	1 OF 4		
	0 PLACE	±	±	DRAFT WHERE APPLICABLE MUST REMAIN WITHIN DIMENSIONS		THIS DRAWING CONTAINS INFORMATION THAT IS PROPRIETARY TO MOLEX INCORPORATED AND SHOULD NOT BE USED WITHOUT WRITTEN PERMISSION			

9 8 7 6 5 4 3 2 1

10 9 8 7 6 5 4 3 2 1

(SEE RECOMMENDED THICKNESS IN TABLE)
RECOMMEND PCB LAYOUT
CONNECTOR SIDE



OBS TIN/LEAD P/N EC NO: S2014-0373 DRWN:SKANG 2013/10/14 CHKD:MLONG 2014/01/27 APPR:MLONG 2014/02/06	QUALITY SYMBOLS $F_A=0$ $F_B=0$ $F_C=0$	GENERAL TOLERANCES (UNLESS SPECIFIED)		DIMENSION STYLE MM ONLY		SCALE NTS	DESIGN UNITS METRIC	THIRD ANGLE PROJECTION	
			mm	INCH	DRAWN BY VMANICKAM	DATE 2006/04/11	TITLE VLP DDR2 DIMM, 1MM PITCH 240 CKTS, VERT. PRESSFIT		
		4 PLACES	± ---	± ---	CHECKED BY SHLENI	DATE 2006/06/22			
		3 PLACES	± ---	± ---	APPROVED BY SRRAMESH	DATE 2006/06/22			
	2 PLACES	± 0.20	± ---	MATERIAL NO.		DOCUMENT NO. SD-78065-001	SHEET NO. 3 OF 4		
	1 PLACE	± ---	± ---	SEE TABLE		THIS DRAWING CONTAINS INFORMATION THAT IS PROPRIETARY TO MOLEX INCORPORATED AND SHOULD NOT BE USED WITHOUT WRITTEN PERMISSION			
	0 PLACE	±	±	ANGULAR ± 5 °					
	DRAFT WHERE APPLICABLE MUST REMAIN WITHIN DIMENSIONS								

9 8 7 6 5 4 3 2 1

PART NO.	VOLTAGE KEY POS.	VOLTAGE	DIM 'P'	RECOMMENDED PCB THICKNESS	CONTACT AREA PLATING OPTION	SOLDERTAIL PLATING OPTION	LATCH COLOR
78065-8001	CENTER	1.8V	3.30	3.60	0.76MM/30MN MIN GOLD OVER 1.27MM/50MN MIN NICKEL UNDERPLATE	0.38-1.52MM/15-60MN TIN OVER 1.27MM/50MN MIN NICKEL UNDERPLATE	BLACK
78065-8002			4.20	4.57			

OBS TIN/LEAD P/N EC NO: S2014-0373 DRWN:SKANG 2013/10/14 CHKD:MLONG 2014/01/27 APPR:MLONG 2014/02/06	QUALITY SYMBOLS	GENERAL TOLERANCES (UNLESS SPECIFIED)		DIMENSION STYLE MM ONLY		SCALE NTS	DESIGN UNITS METRIC	THIRD ANGLE PROJECTION
	$\nabla_A = 0$	mm	INCH	DRAWN BY	DATE	TITLE		
	$\nabla_B = 0$	4 PLACES ± ---	± ---	VMANICKAM	2006/04/11	VLP DDR2 DIMM, 1MM PITCH 240 CKTS, VERT. PRESSFIT		
	$\nabla_C = 0$	3 PLACES ± ---	± ---	CHECKED BY	DATE			
	$\nabla_D = 0$	2 PLACES ± 0.20	± ---	SHLENI	2006/06/22			
	1 PLACE ± ---	± ---	APPROVED BY	DATE				
	0 PLACE ±	±	SRRAMESH	2006/06/22				
		ANGULAR ± 5 °		MATERIAL NO.		DOCUMENT NO.		SHEET NO.
		DRAFT WHERE APPLICABLE MUST REMAIN WITHIN DIMENSIONS		SEE TABLE		SD-78065-001		4 OF 4
				SIZE A3		THIS DRAWING CONTAINS INFORMATION THAT IS PROPRIETARY TO MOLEX INCORPORATED AND SHOULD NOT BE USED WITHOUT WRITTEN PERMISSION		