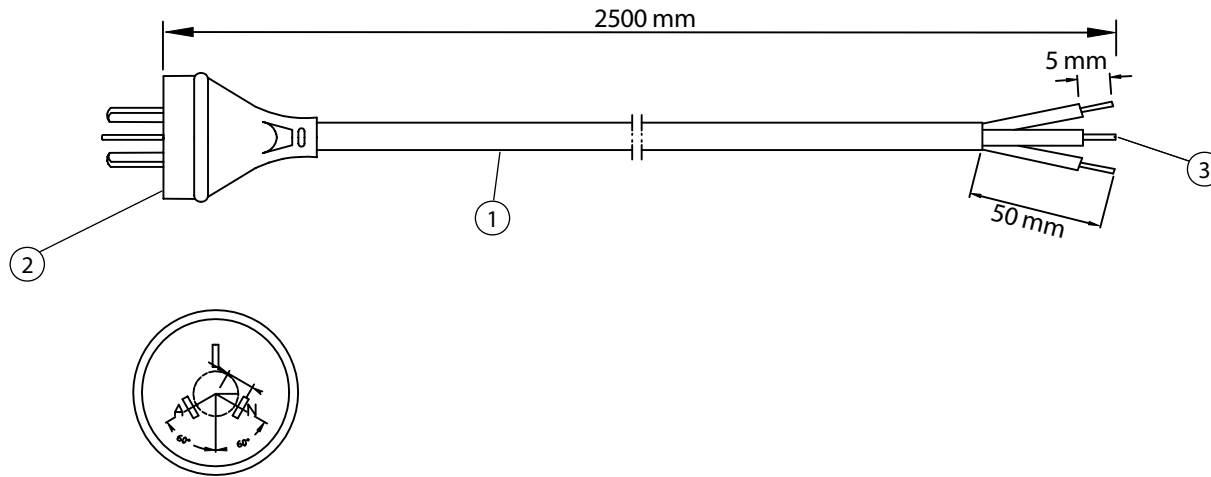


THESE DRAWINGS ARE THE PROPERTY OF QUALTEK ELECTRONICS AND NOT TO BE REPRODUCED FOR OR COMMUNICATED TO A THIRD PARTY WITHOUT THE EXPRESS WRITTEN PERMISSION OF AN OFFICER OF QUALTEK ELECTRONICS.

REVISION			
REV.	DESCRIPTION	DATE	APPROVED
B	RoHS Compliancy	06-01-06	D.P.
C	Revised Cordage	09-04-07	D.P.



CONTROLLED

NOTES:

1. CORDAGE: H05VV-F, 3 X 1.0, UNSHIELDED, CEE COLOR CODE, TEMP. RATING 70°C, RATING: 250V 10A, JACKET COLOR: BLACK
2. PLUG: AS3112/AUSTRALIAN
3. OTHER END: ROJ 50 mm, STRIP 5 mm
4. APPROVALS: AUSTRALIA, NEW ZEALAND
5. ROHS COMPLIANT

Dim range (mm)	Tolerance +/- (mm)	Qualtek Electronics Corp. PPC DIVISION		
		Part Number:	373003-A01	RoHS Compliant
		Description:	POWER CORD	
0-1	0.15		UNIT: mm	REV. C
1-6	0.20			
6-18	0.30			
18-50	0.50			
50-120	0.70	Drawn / Date	Checked / Date	Approved / Date
120-250	0.90	B. ZHANG 10-15-01	10-15-01	JJH / 10-15-01
250-500	1.20			