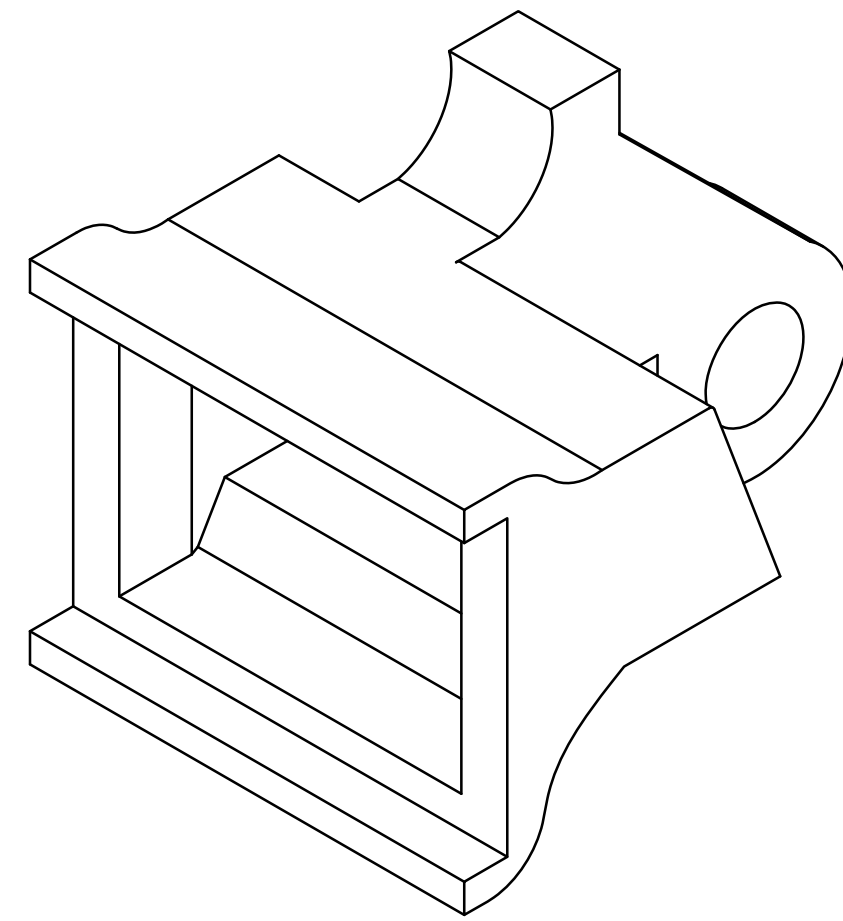
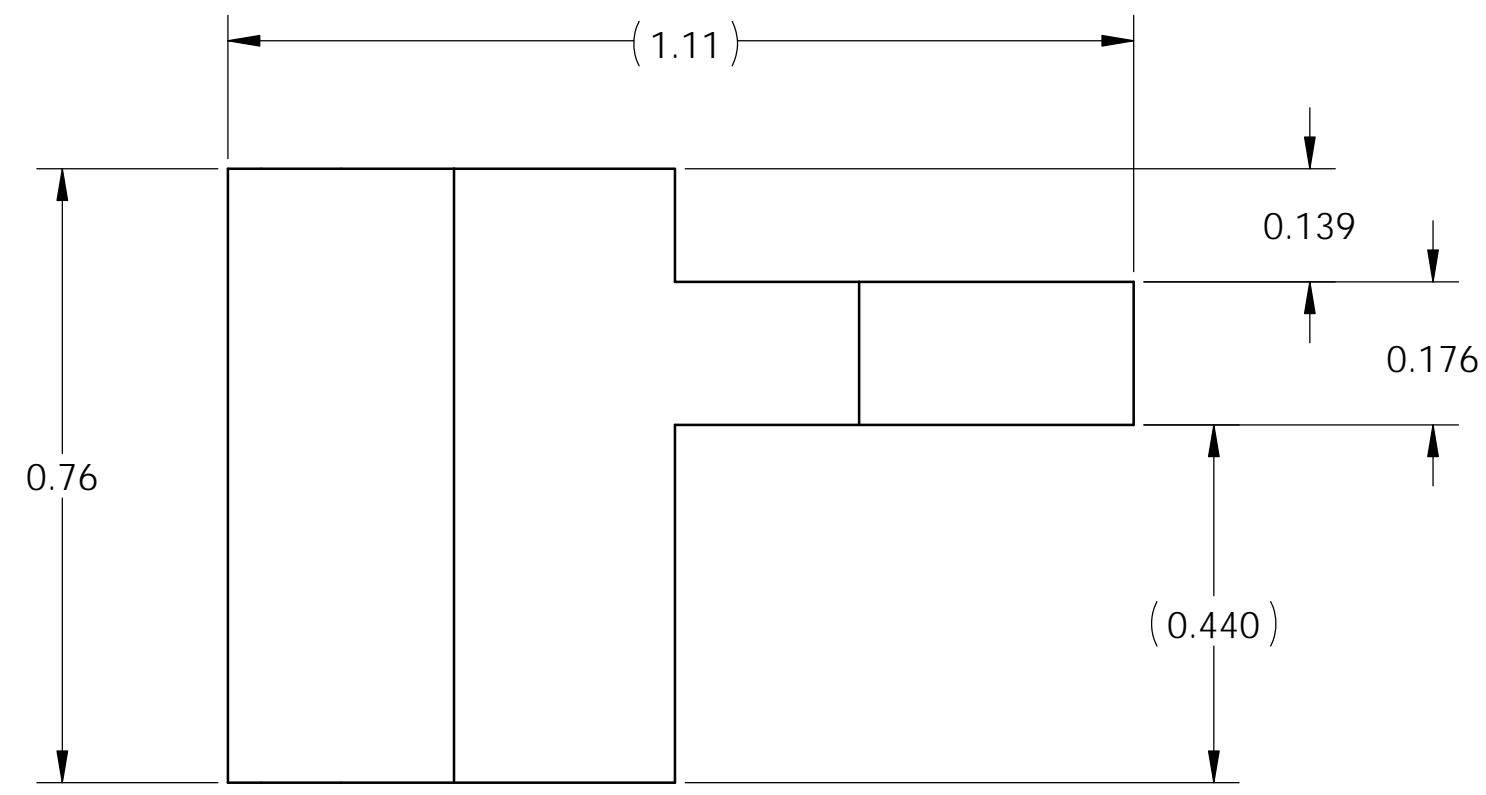
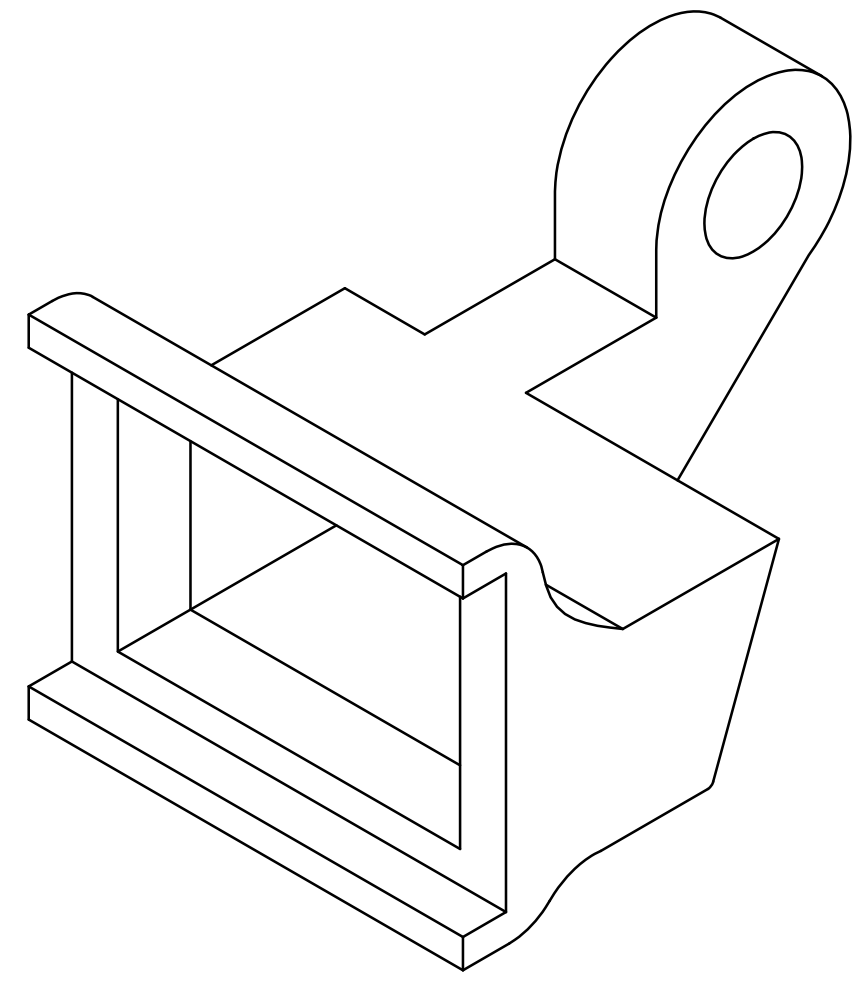
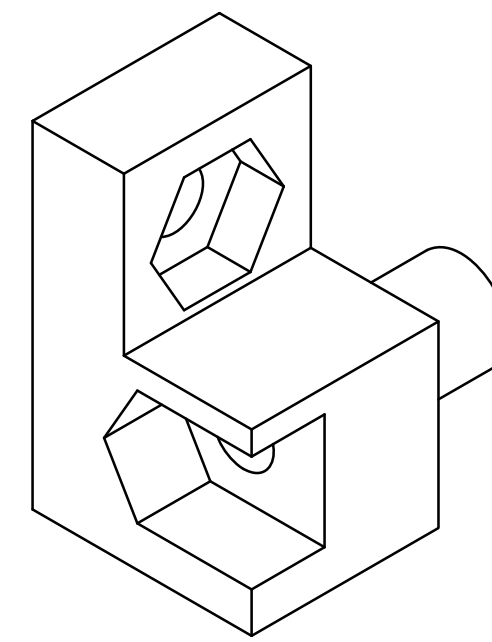


PROPRIETARY AND CONFIDENTIAL  
 THE INFORMATION CONTAINED IN THIS DRAWING IS THE SOLE PROPERTY OF  
 VECTOR ELECTRONICS & TECHNOLOGY, INC. ANY REPRODUCTION IN PART  
 OR AS A WHOLE WITHOUT THE WRITTEN PERMISSION OF VECTOR ELECTRONICS  
 & TECHNOLOGY, INC IS PROHIBITED.

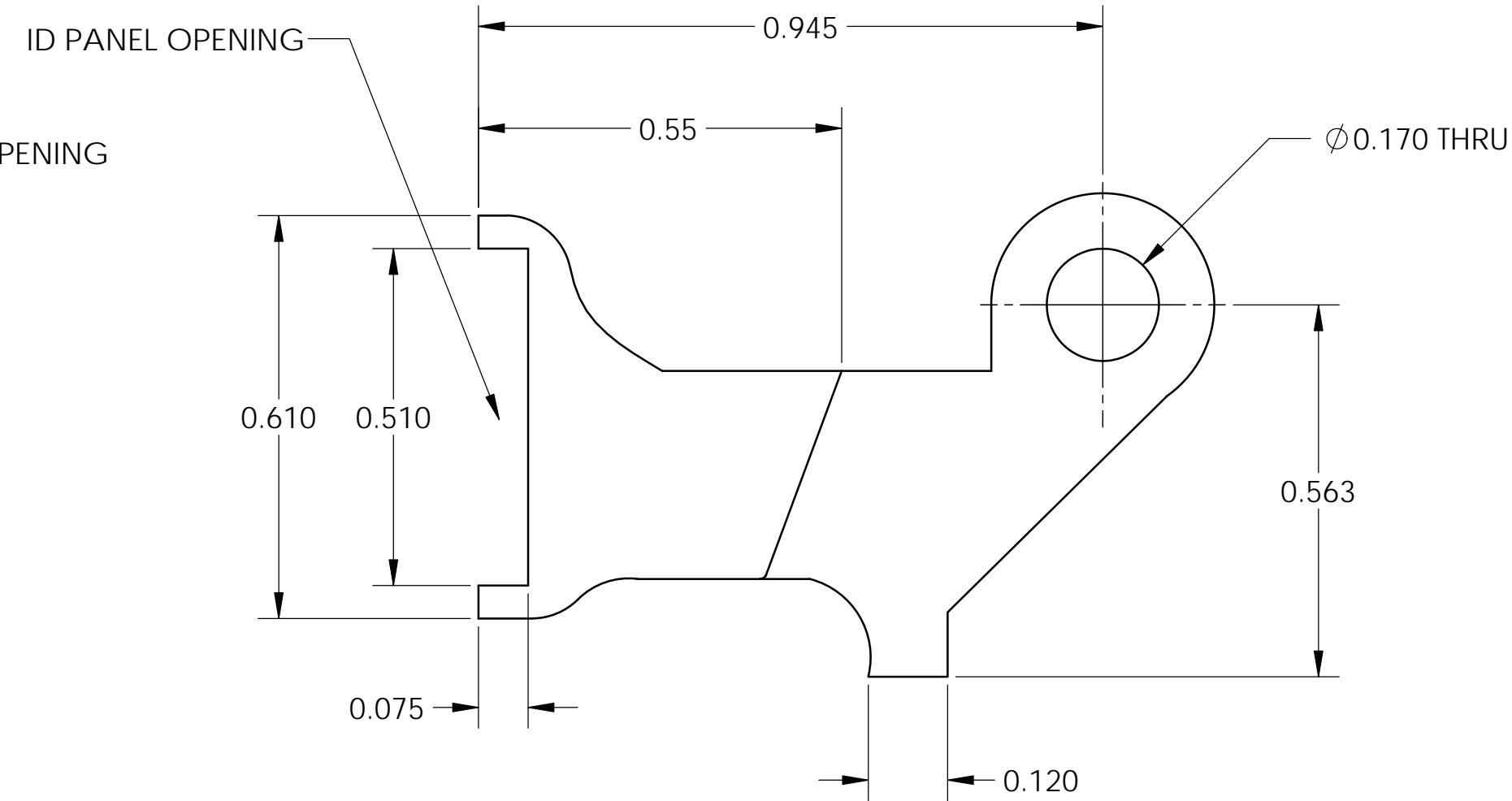
REVISIONS				
ZONE	REV	DESCRIPTION	DATE	APPROVED
ALL	A	INITIAL RELEASE	08/31/12	



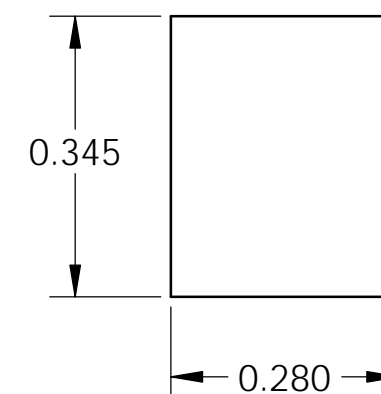
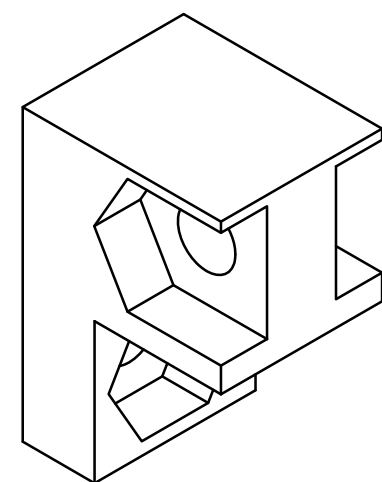
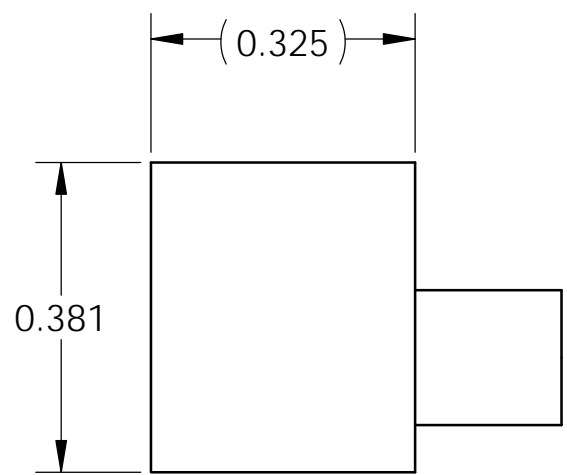
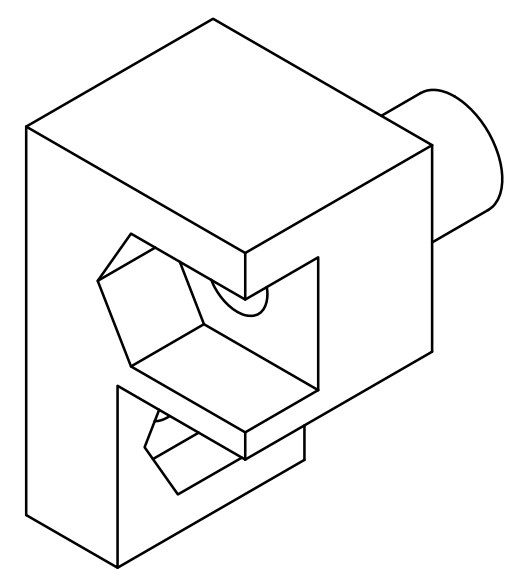
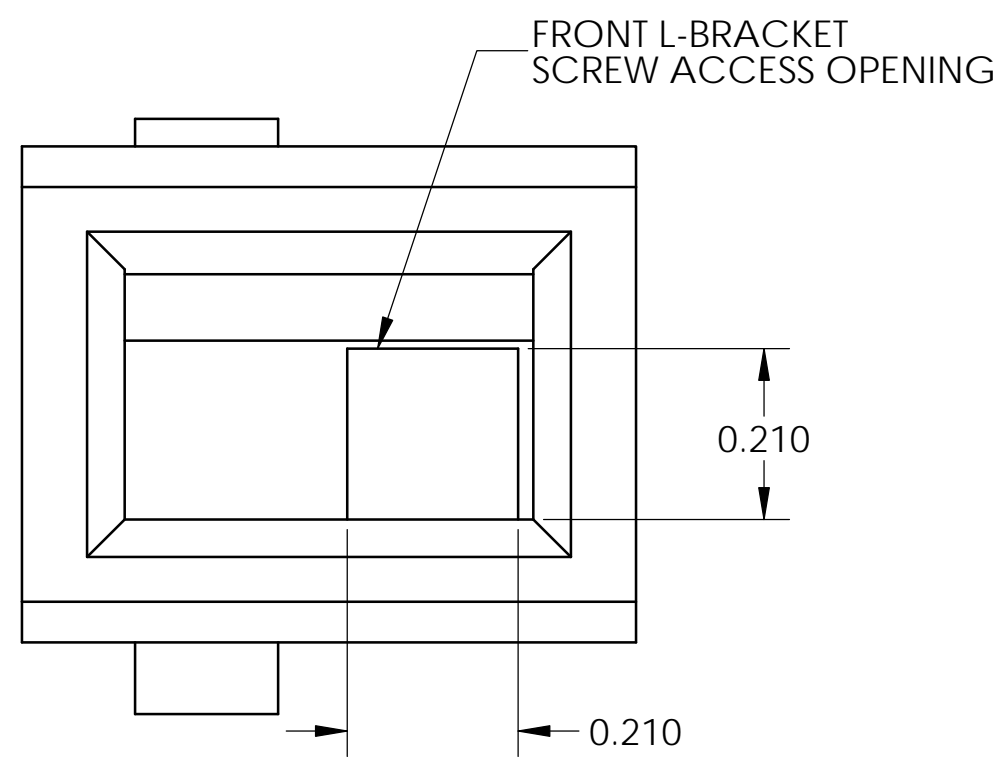
**TOP EJECTOR HANDLE DETAIL**  
 MIRROR VIEW OF BOTTOM HANDLE



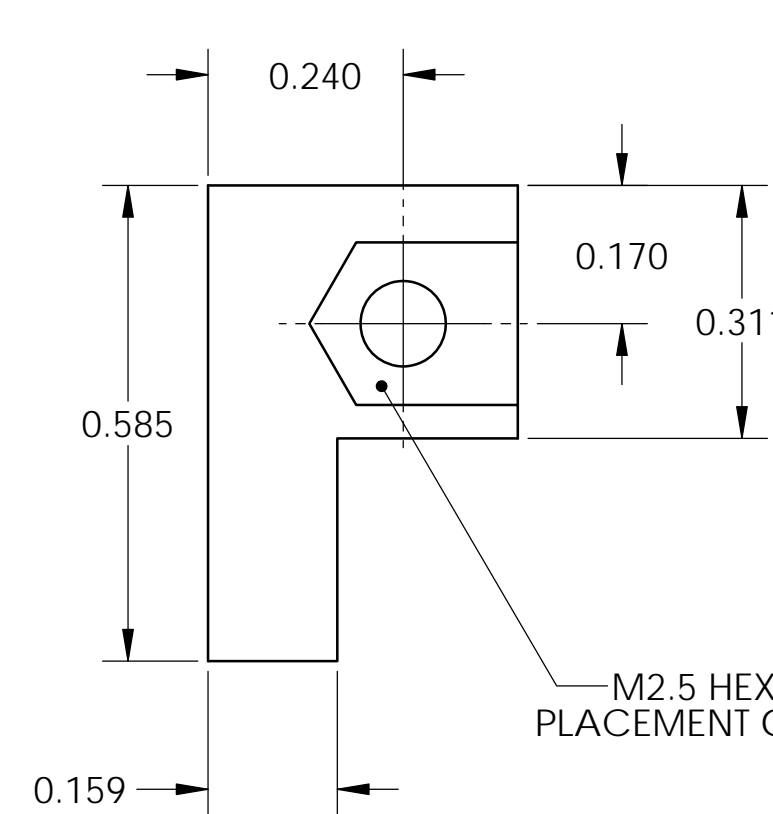
**TOP SUPPORT BRACKET DETAIL**  
 MIRROR VIEW OF BOTTOM BRACKET



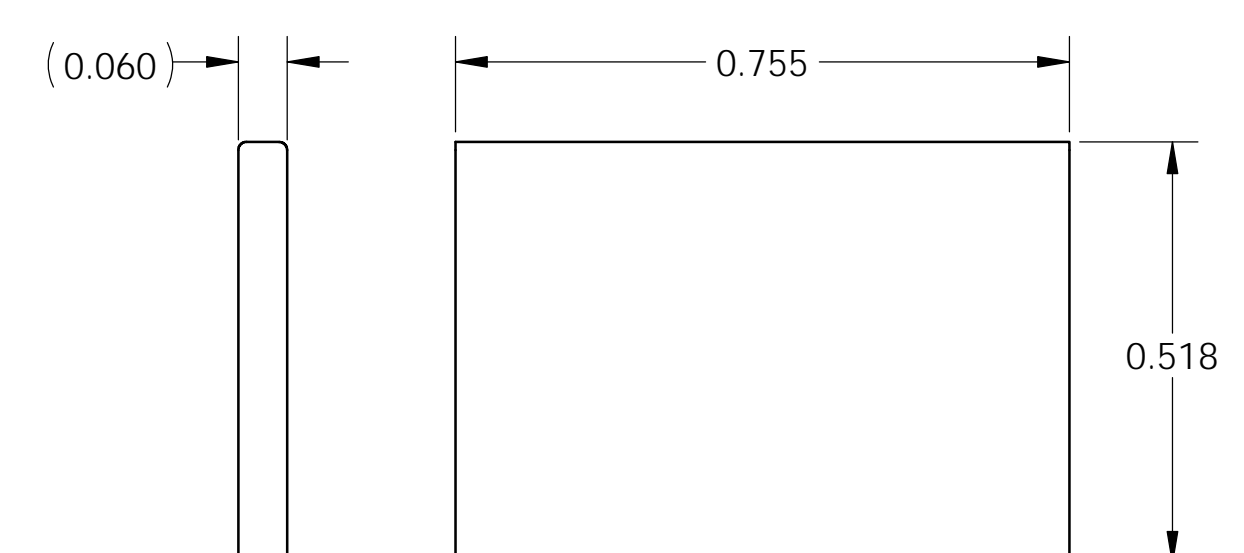
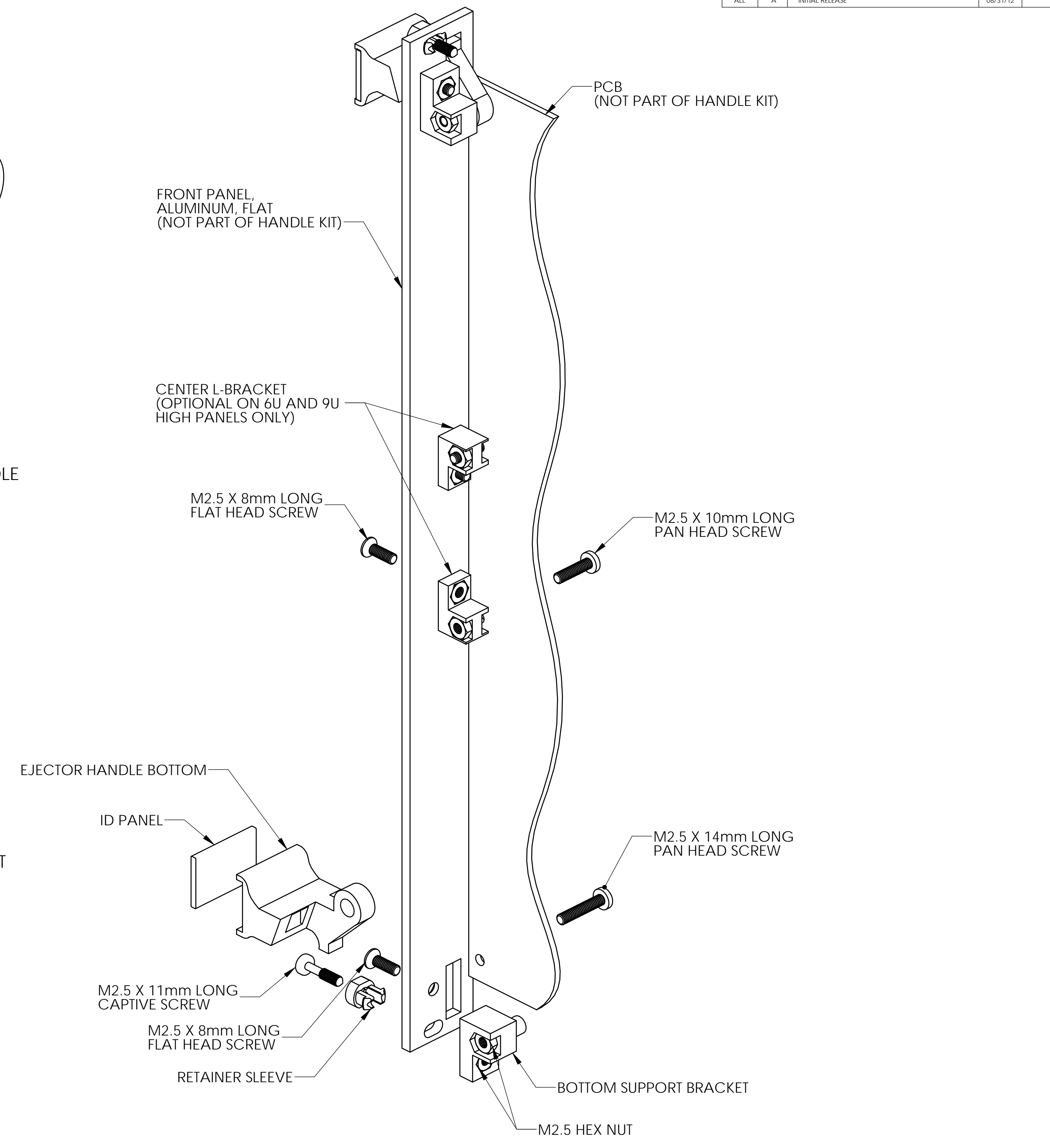
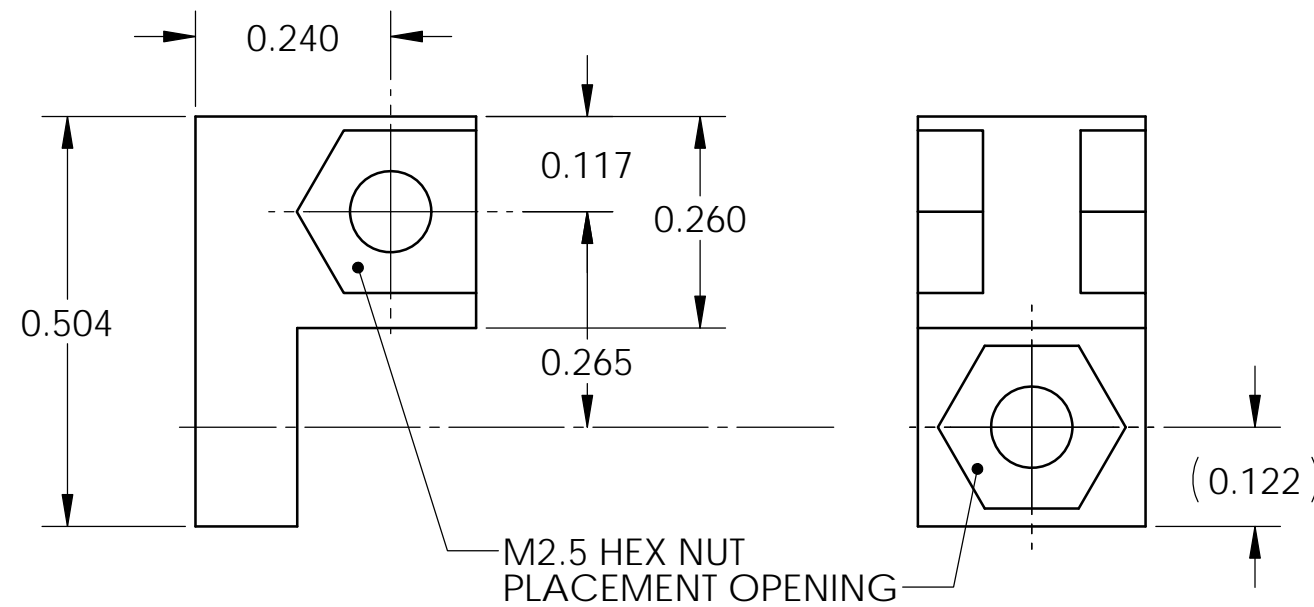
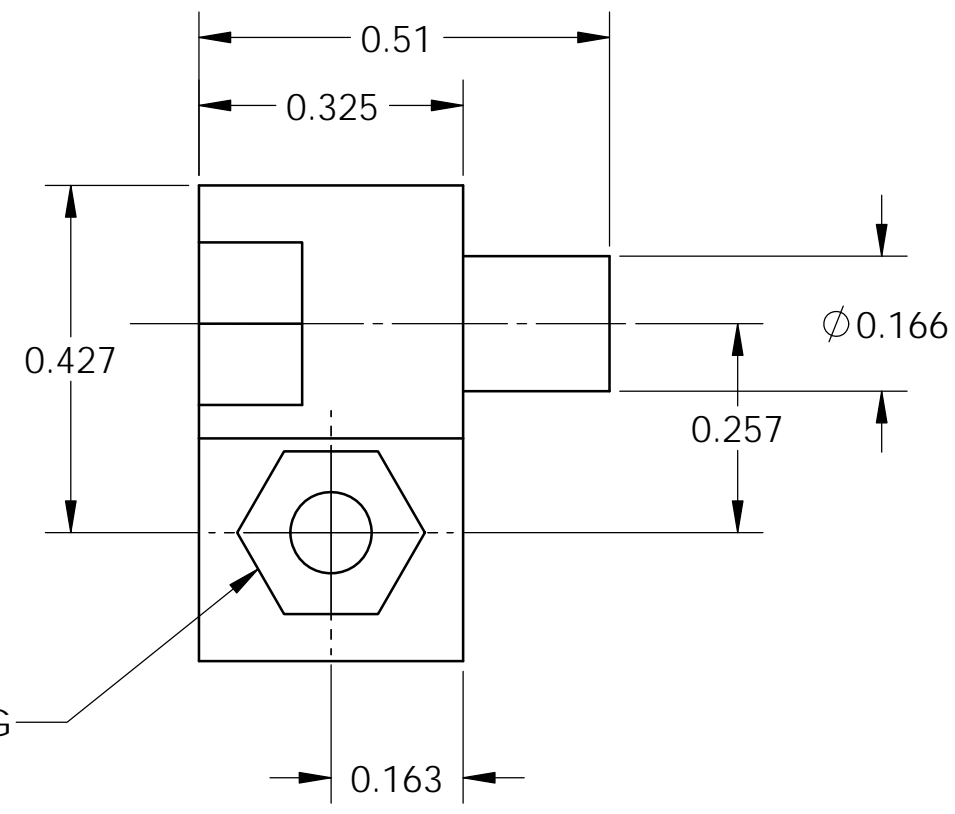
**BOTTOM EJECTOR HANDLE DETAIL**



**CENTER L-BRACKET DETAIL**



**BOTTOM SUPPORT BRACKET DETAIL**



**ID PANEL DETAIL**

**CM10 PARTS LIST**

ITEM NO	DESCRIPTION	QTY	U/M
1	EJECTOR HANDLE, BOTTOM	1	EACH
2	EJECTOR HANDLE, TOP	1	EACH
3	SUPPORT BRACKET, BOTTOM	1	EACH
4	SUPPORT BRACKET, TOP	1	EACH
5	ID PANEL	2	EACH
6	CENTER L-BRACKET	2	EACH
7	RETAINER SLEEVE	2	EACH
8	CAPTIVE SCREW, M2.5-0.45X11mm	2	EACH
9	SCREW, FLAT HEAD, M2.5-0.45X8mm	4	EACH
10	SCREW, PAN HEAD, M2.5-0.45X14mm	2	EACH
11	SCREW, PAN HEAD, M2.5-0.45X10mm	2	EACH
12	HEX NUT, M2.5X0.45-6H	8	EACH

UNLESS OTHERWISE SPECIFIED DIMENSIONS ARE IN INCHES TOLERANCES:		NAME	DATE	<b>VECTOR</b> ELECTRONICS & TECHNOLOGY, INC. www.vectorselect.com	TITLE: YANQIEN SHI NORTH HOLLYWOOD, CA 91355
DEC. X.XX	±0.1	DRAWN	TRISHAR		
DEC. X.XXX	±0.03	CHECKED			
DEC. X.XXXX	±0.010	ENG APPR.			
FRACTIONS	±0.050	MFG APPR.			
ANGLES	±1°	Q.A.			
THIRD ANGLE PROJECTION		COMMENTS:			
MATERIAL					
FRESH					

**EJECTOR HANDLE, TYPE II, 1101.1**

SIZE DWG. NO. REV  
**D** CM10 **A**

SCALE: 4:1 CAGE CODE: 82893 SHEET 1 OF 1