

LOC	DIST	REVISIONS					
CE	16	P	LTR	DESCRIPTION	DATE	DWN	APVD
		B		ECR 09-011730	22MAY09	DF	SB

MATERIALS LIST

QUANTITY	DESCRIPTION
4	20960M NORLAND FLEXIBLE SPLICE HOUSING
12	3M FIBRLOK MECHANICAL SPLICES
1	FIBRLOK SPLICE FIXTURE
1	FITEL CLEAVER P/N S-315
1	"IDEAL" CABLE STRIPPER P/N 45-092
2	NO-NIK BUFFER STRIPPER (SIZES): 150 MICRON, 200 MICRON
1	UTILITY KNIFE WITH 3 SPARE BLADES
1	KEVLAR SHEARS
1	6-INCH METAL RULER, (UNITS IN METRIC)
1	NORLAND 30X ILLUMINATED MICROSCOPE P/N 21400 W/ BATTERIES
40	ALCOHOL (AT LEAST 70%) PADS
1	KIMWIPES, 5 X 8 INCH, 280 COUNT BOX
1	PLASTIC FRAME SAFETY GLASSES (ANSI APPROVED LENSES)
1	TWEEZERS
1	ROLL SCOTCH TAPE
1	FINE TIP MARKING PEN
1	SET OF INSTRUCTIONS (ILLUSTRATED) - WATERPROOF
1	PORTABLE FIELD STORAGE CASE. THIS CASE SHALL BE RUGGEDIZED AND HOUSE ALL COMPONENTS NECESSARY TO REPAIR BROKEN CABLE. DIMENSIONS OF THE CASE SHALL NOT EXCEED 7.5H X 20W X 14 BLACK IN COLOR


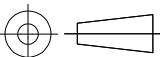
RELEASED FOR PUBLICATION

ALL RIGHTS RESERVED.

BY TYCO ELECTRONICS CORPORATION.

© COPYRIGHT

1985212-1
PART NUMBER

DIMENSIONS: INCHES	DWN	K.GLATFELTER	11MAY2007	MATERIAL	-	FINISH	-				
	CHK	J.SHIPE	18MAY2007	 Tyco Electronics Corporation Harrisburg, PA 17105-3608							
TOLERANCES UNLESS OTHERWISE SPECIFIED:	APVD	M.KADAR-KALLEN	18MAY2007								
0 PLC ± -	PRODUCT SPEC	-		NAME	TACTICAL FIELD SPLICE REPAIR						
1 PLC ± -	APPLICATION SPEC	-		SIZE	CAGE CODE	DRAWING NO	RESTRICTED TO				
2 PLC ± -				A4	00779	C-1985212	-				
3 PLC ± -											
4 PLC ± -											
ANGLES ± -	WEIGHT	-									
				CUSTOMER DRAWING		SCALE	NTS	SHEET	1 OF 1	REV	B