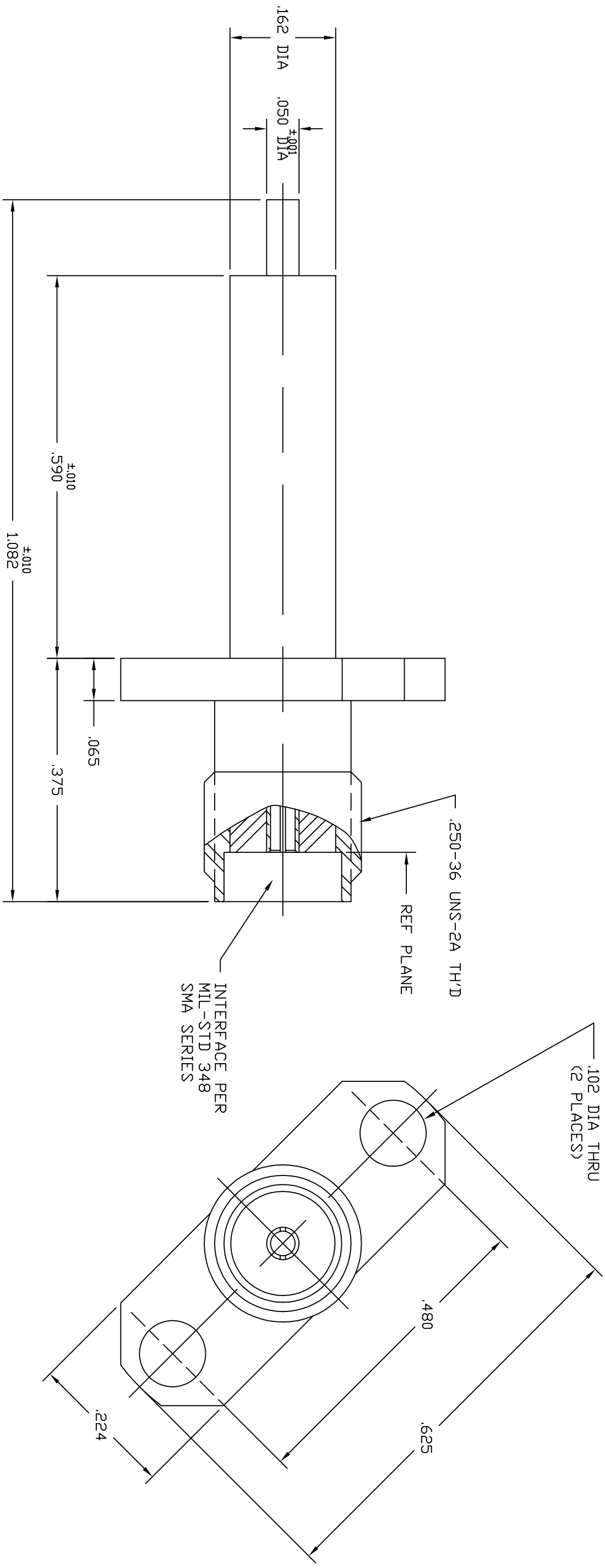


NOTES:
 1. PLATING MUST CONFORM TO AMPHENOL SPEC 349-50560. CONTACT IS GOLD PLATED, BODY IS PASSIVATED.

901-9000-CCSF		REVISIONS			
DRAWING NO.	REV	DESCRIPTION	DATE	ECO	APPR
THIRD ANGLE PROJ.	A	OFFICIAL ENG. RELEASE TO MFG.	3-23-92	38801	RP/FH
	B	PART No WAS 901-9000-CSF, REDRAWN DN CAD	1/12/96	41120	PB/



CUSTOMER DRAWING

UNLESS OTHERWISE SPECIFIED, DIMENSIONS ARE IN INCHES AND TOLERANCES ARE:
 2 PLACE DECIMAL $\pm .015$ (0,381 mm)
 3 PLACE DECIMAL $\pm .005$ (0,127 mm)
 ANGLES $\pm 1^\circ$

NOTICE - These drawings, specifications, or other data (1) are, and remain the property of Amphenol Corp. (2) must be returned upon request; and (3) are confidential and not to be disclosed to any person other than those to whom they are given by Amphenol Corp. The furnishing of these drawings, specifications, or other data by Amphenol Corp., or to any other person to anyone for any purpose is not to be regarded by implication or otherwise in any manner licensing, granting rights or permitting such holder or any other person to manufacture, use or sell any product, process or design, patented or otherwise, that may in any way be related to or disclosed by said drawings, specifications, or other data.

MATERIAL	REFERENCE
	EAR 111-963023

DRAWN	DATE
R. PERCY	2-4-92
ENGINEER	DATE
F. HULL	2-4-92
APPROVED	DATE
CAD FILE	
H:\PETE\SMA\901\ASSY\9000CCSF	

TITLE	CODE ID	DWG SIZE	DRAWING NO.
SMA PANEL JACK	74868	B	901-9000-CCSF

Amphenol Corporation RF/Microwave Operations Danbury, Conn. U.S.A. 06810	
SCALE: 6:1	SHEET 2 OF 2
REV	B