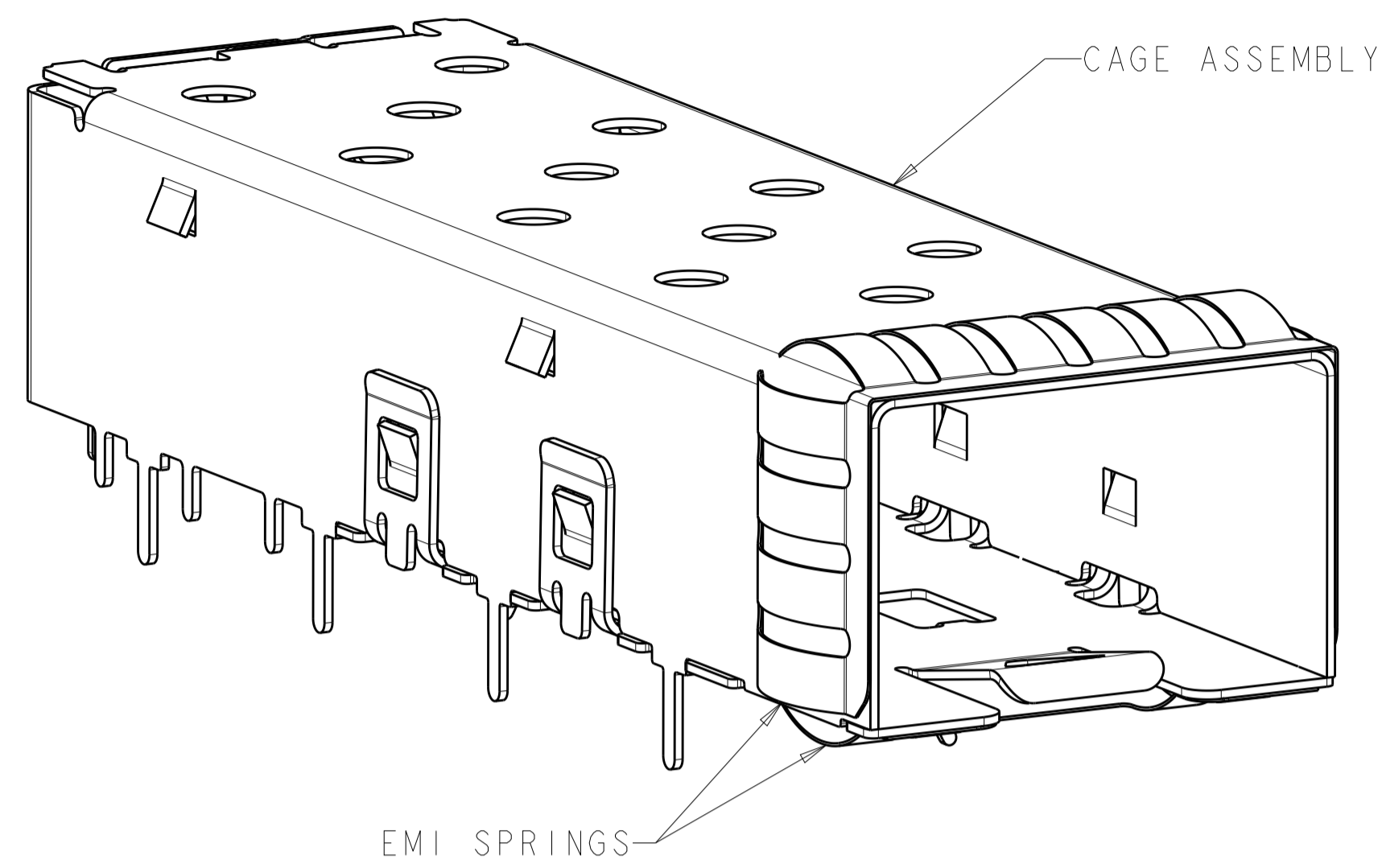
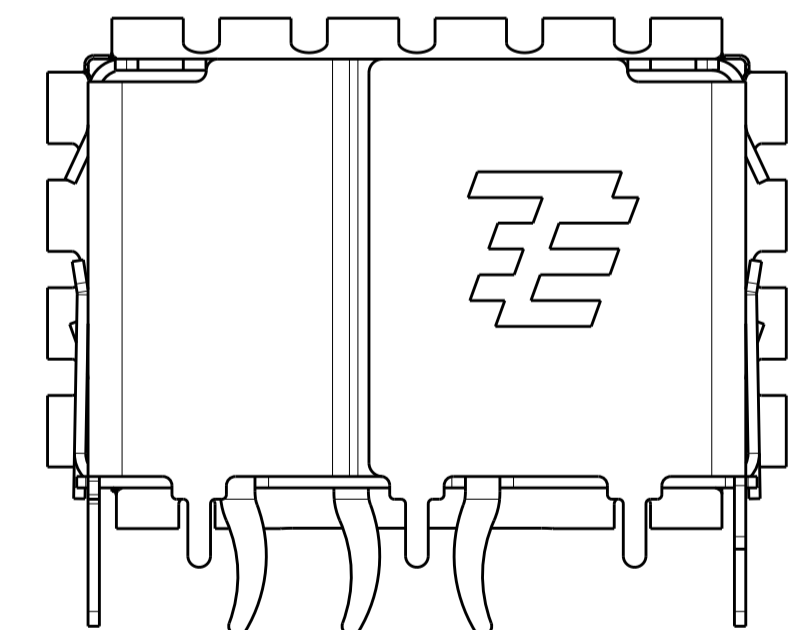
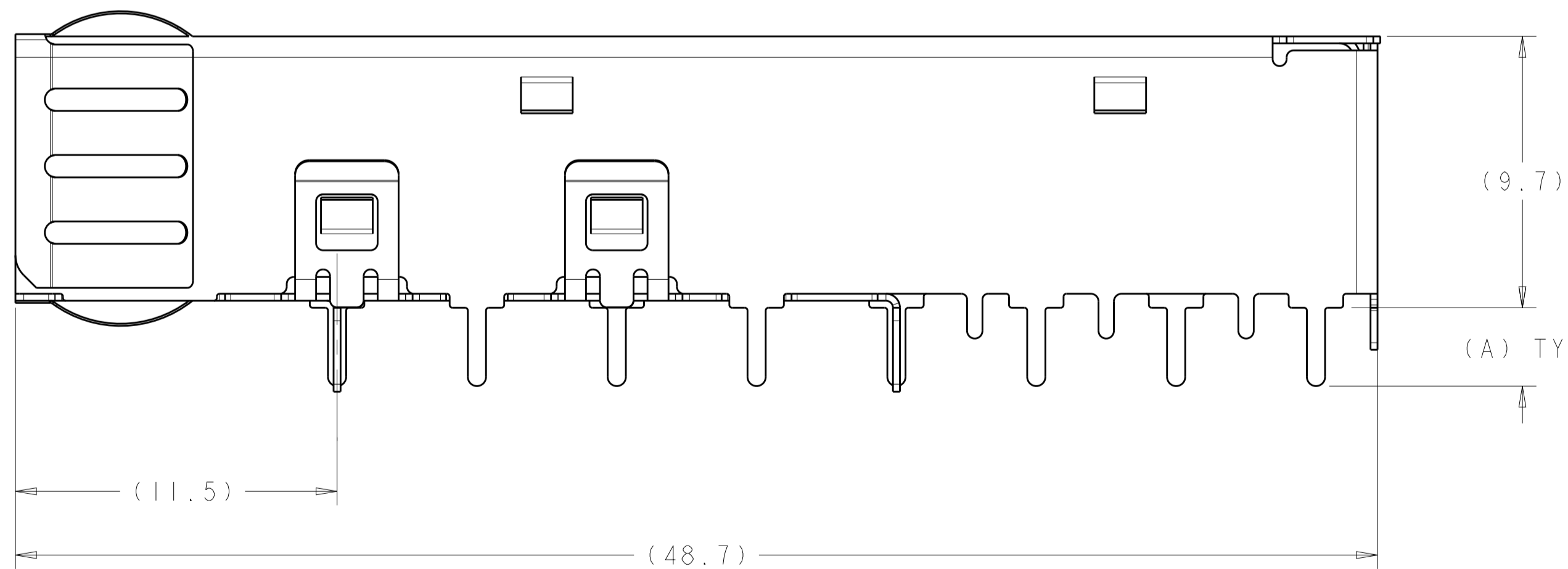
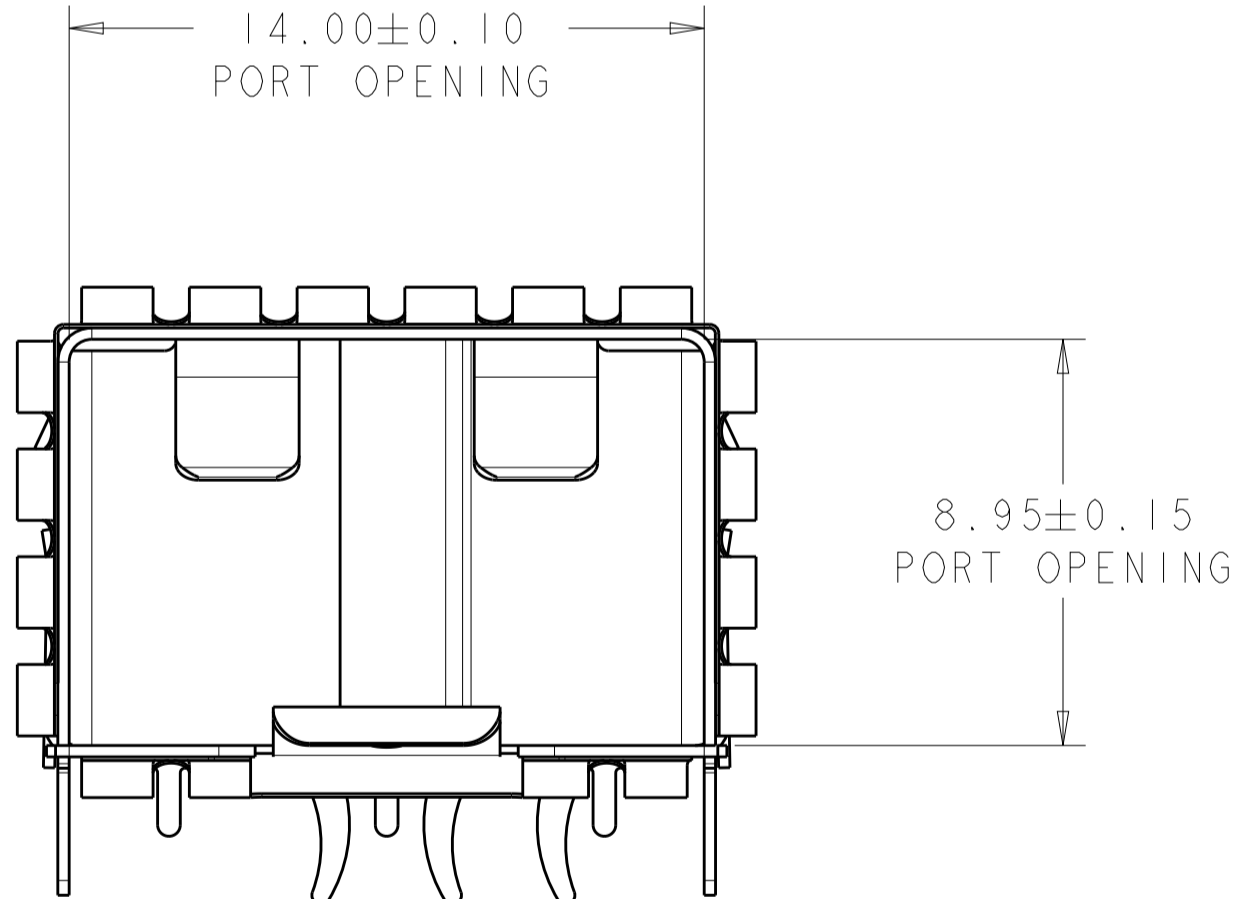
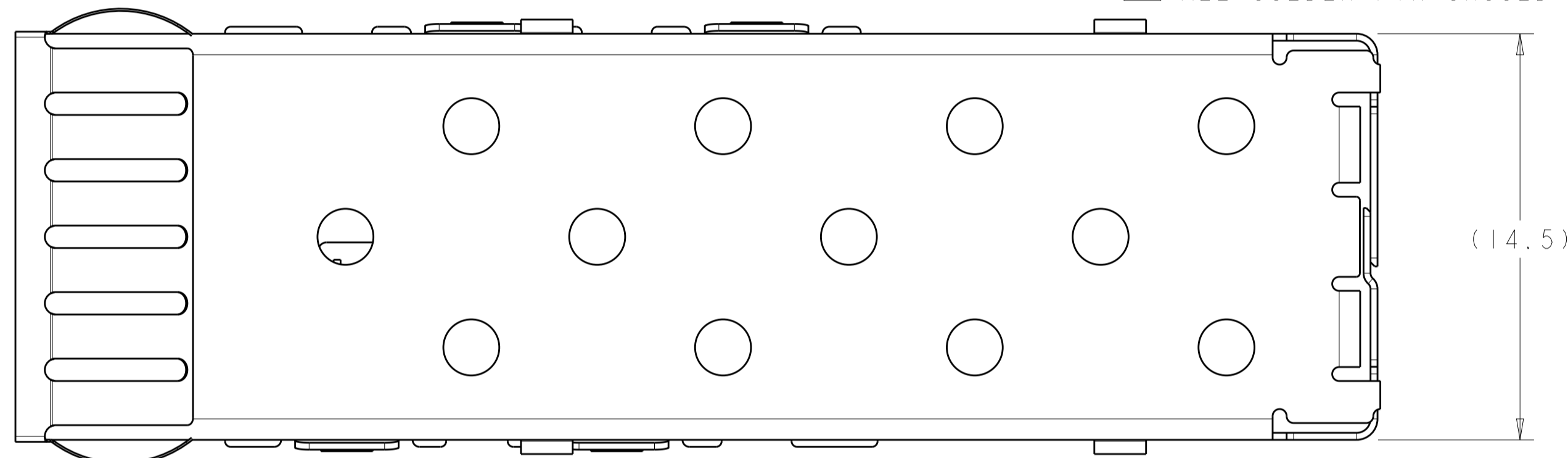


LOC		DIST		REVISIONS			
GP	00	P	LTN	DESCRIPTION	DATE	DMN	APVD
		D1		REVISED PER ECO-13-014703	22SEP2013	PP	SH
		D2		REVISED PER ECO-14-008091	13MAY2014	PP	SH
		D3		REVISED PER ECO-15-000306	08JAN2015	PP	SH
		D4		REVISED PER ECO-15-013454	16SEP2015	pp	SH



- 1 MATERIAL:  
CAGE - NICKEL SILVER ALLOY 0.25 THK.  
EMI SPRINGS - COPPER ALLOY
- 2 FINISH:  
2110304-5 CAGE - 1.27um MIN TIN OF SOLDER TAIL  
EMI SPRINGS - 0.8um MIN MATTE TIN OVER 0.8um MIN NICKEL  
NON-PLATED EDGES PERMISSIBLE.
- 3. MATES WITH SFP MSA COMPLIANT TRANSCEIVERS.
- 4 PADS AND VIAS CHASSIS GROUND.
- 5 DATUM AND BASIC DIMENSION ESTABLISHED BY CUSTOMER.
- 6. MINIMUM PC BOARD THICKNESS:  
SINGLE SIDED = 1.50 mm.
- 7. NOTE DELETED
- 8 PACKAGE TYPE IS TAPE AND REEL.
- 9 FOR ESD PROTECTION TAPE AND REEL PACKAGE ONLY.  
MATERIALS(COVER TAPE,EMBOSS TAPE,REEL, INNER LABEL ON REEL) USED WITH AN EPA AREA  
MUST PRIMARILY BE ELECTROSTATIC CONDUCTIVE OR ELECTROSTATIC DISSIPATIVE.  
NO MATERIAL SHOULD BE CHARGED UP TO MORE THAN 100 VOLTS.
- 10 ALL SOLDER PIN SHOULD BE TIN DIPPED.



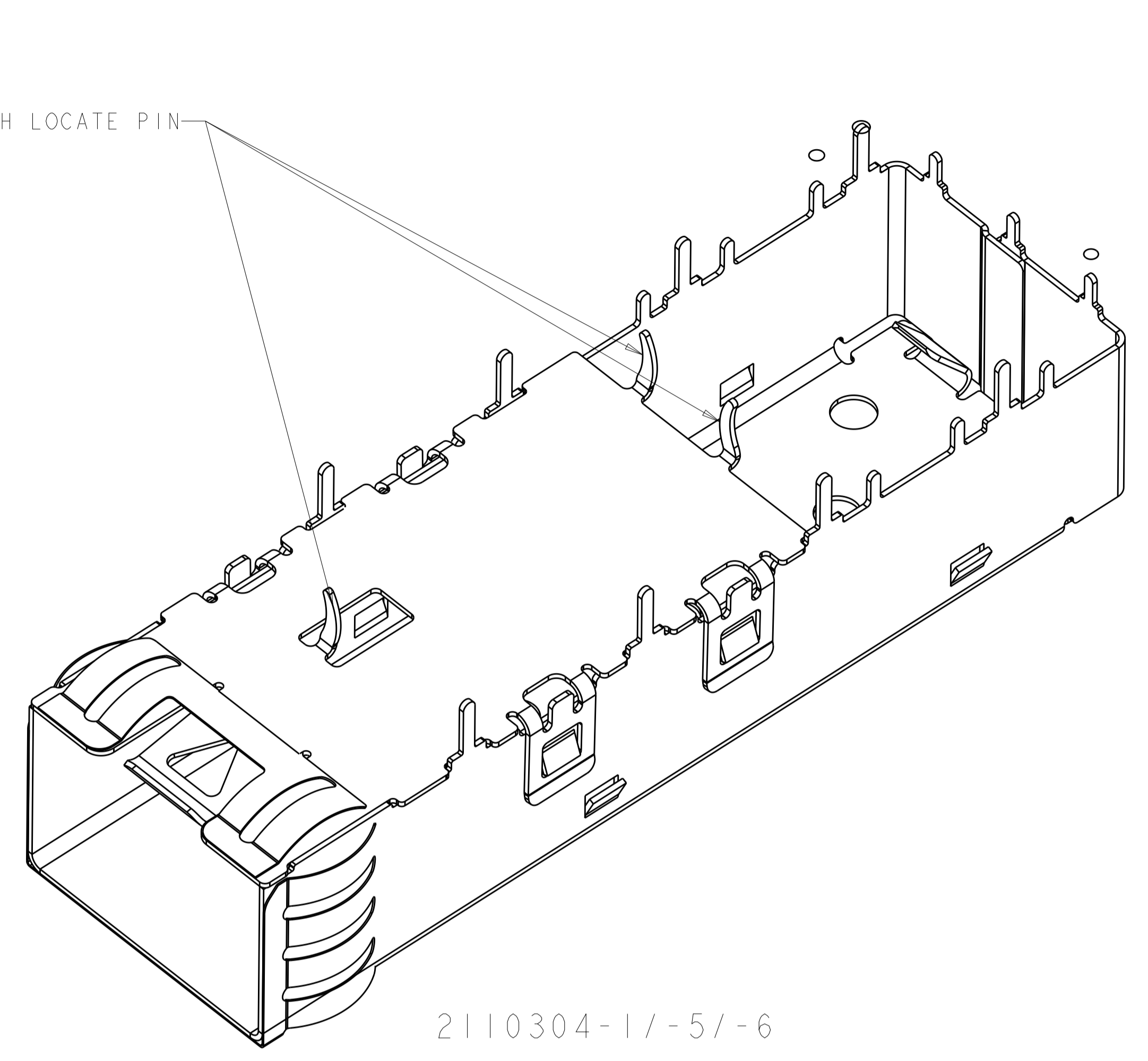
8	2.00	2110304-8
10, 9	1.20	2110304-7
10, 9	2.80	2110304-6
8	2.80	2110304-5
	2.00	2110304-3
	2.80	2110304-1
	DIM A	PART NUMBER

THIS DRAWING IS A CONTROLLED DOCUMENT.

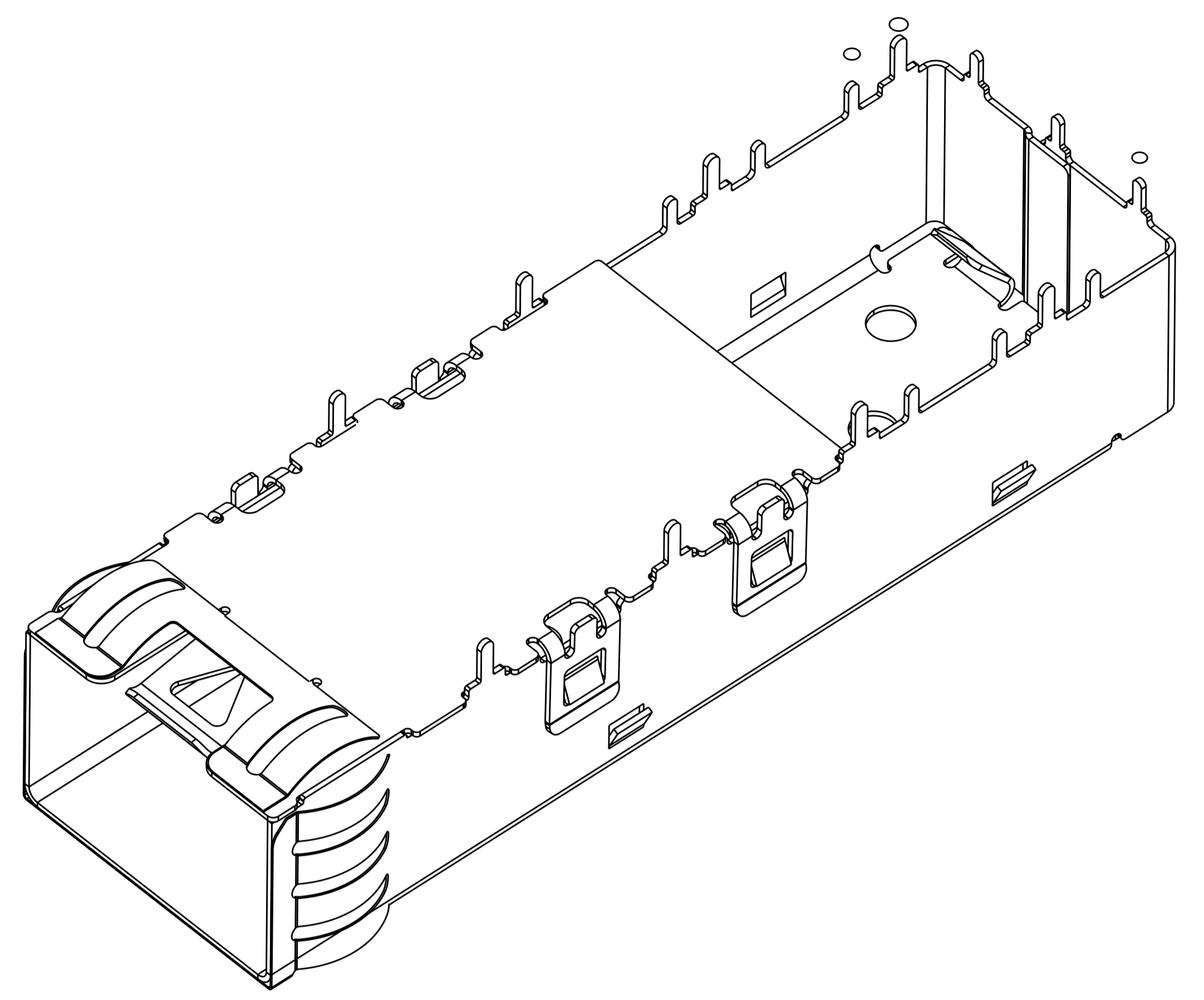
DIMENSIONS:	TOLERANCES UNLESS OTHERWISE SPECIFIED:	DMN C. ROHLER 13FEB2009	TE Connectivity NAME SFP+ IXI CAGE ASSEMBLY, SOLDER TAIL, EMI SPRINGS SIZE CAGE CODE DRAWING NO RESTRICTED TO A100779C=2110304 SCALE 1:1 SHEET 1 OF 4 REV D4
mm	0 PLC ±0.1 1 PLC ±0.5 2 PLC ±0.5 3 PLC ±0.13 4 PLC ±0.13 ANGLES ±0.13	CHK M. SCHMITT 13FEB2009	
		APVD B. WERTZ 13FEB2009	
		PRODUCT SPEC	
MATERIAL	FINISH	APPLICATION SPEC	
		114-13120	
		WEIGHT	
		Customer Drawing	

LOC	DIST	REVISIONS			
P.	LYR	DESCRIPTION	DATE	DWN	APVD
-	-	SEE SHEET 1	-	-	-

WITH LOCATE PIN

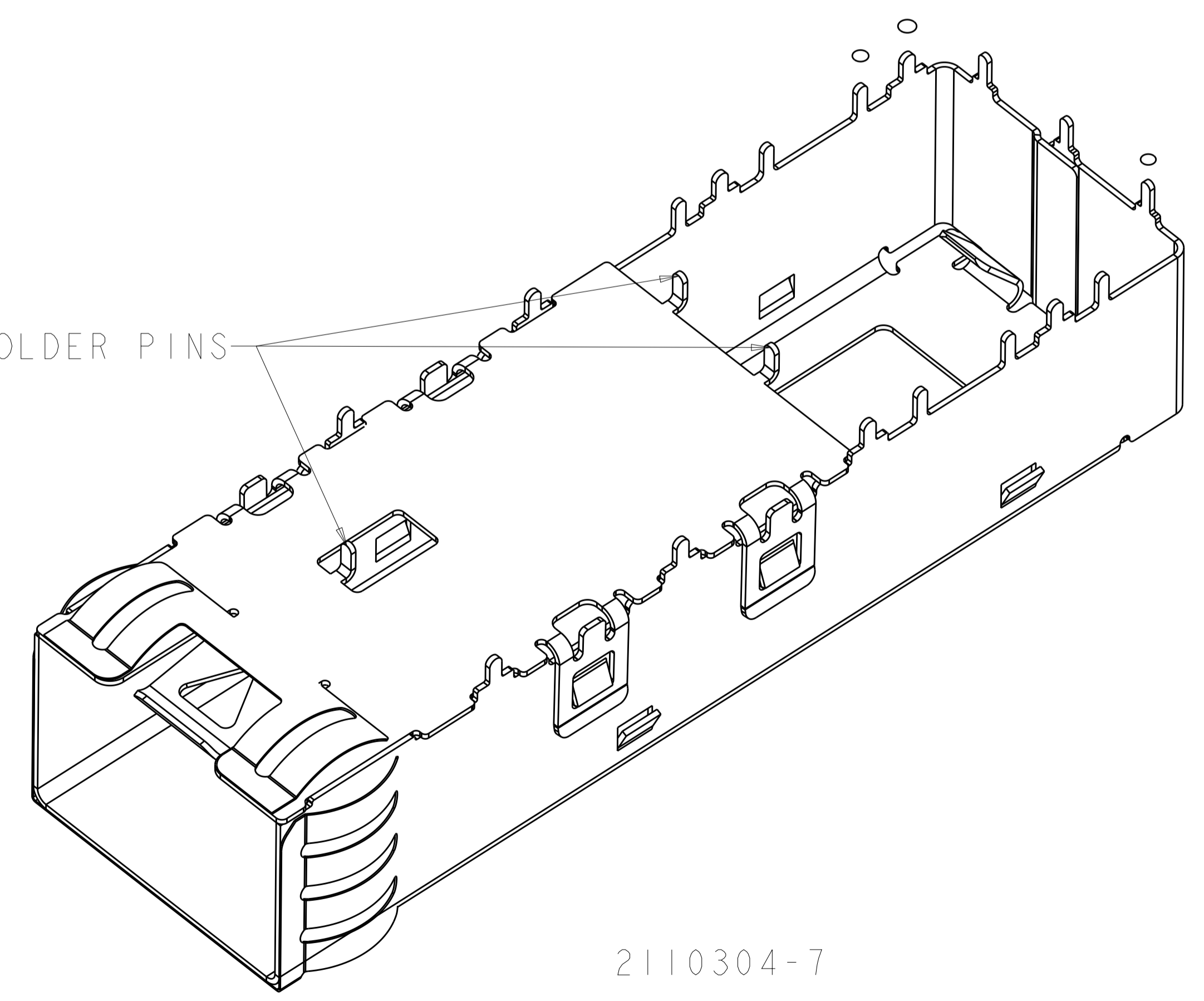


2110304-1/-5/-6



2110304-3/-8

WITH SOLDER PINS



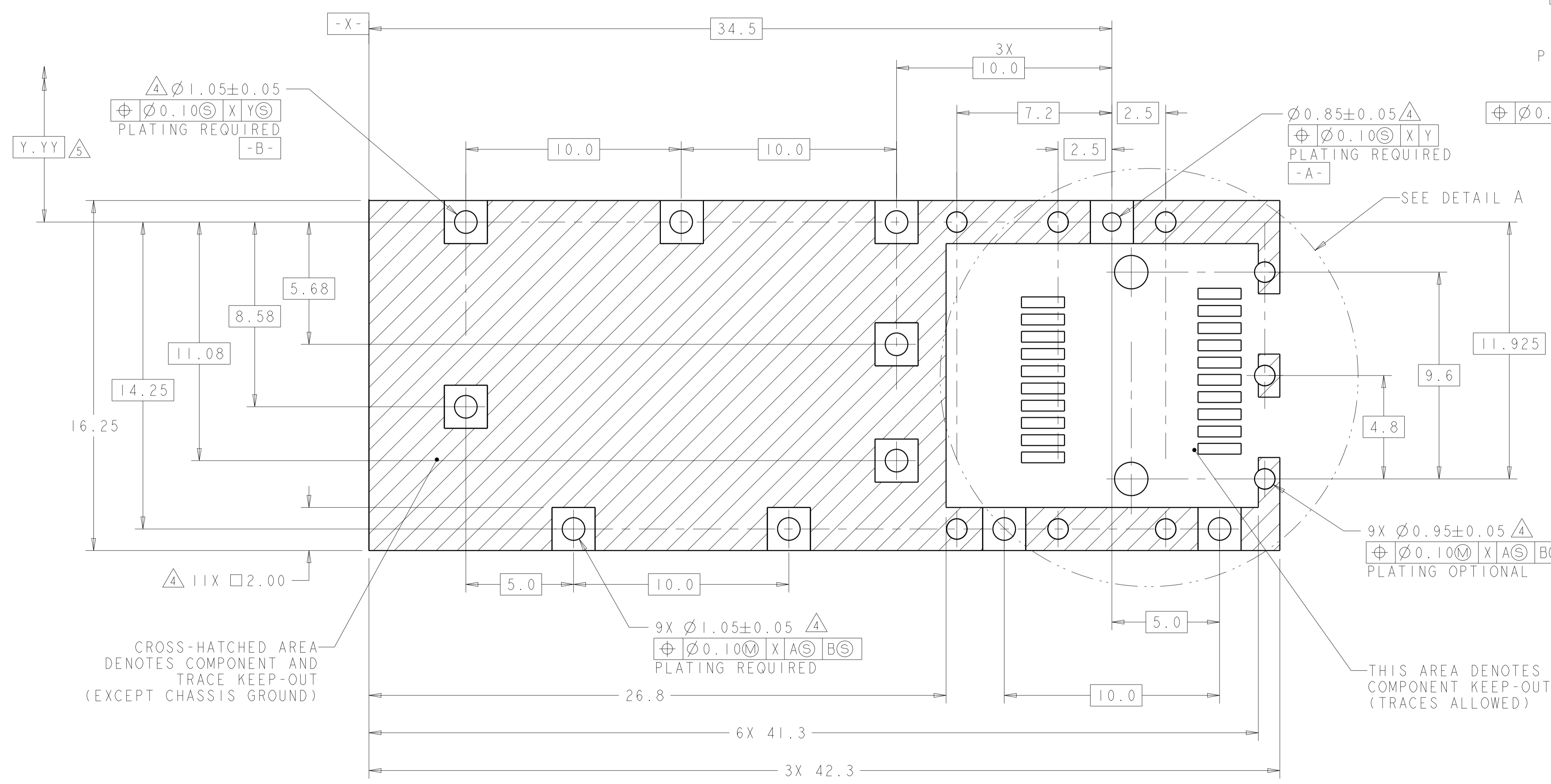
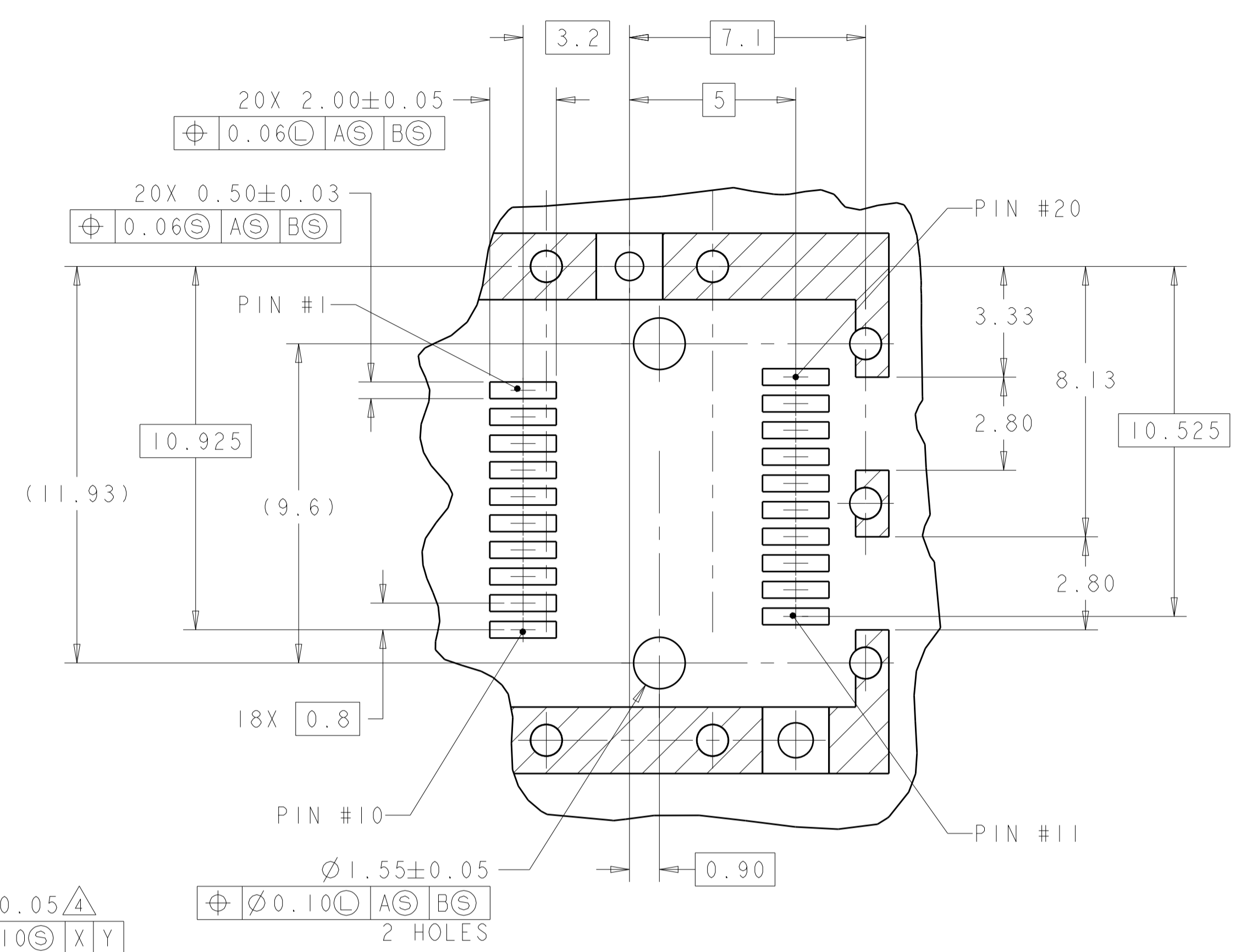
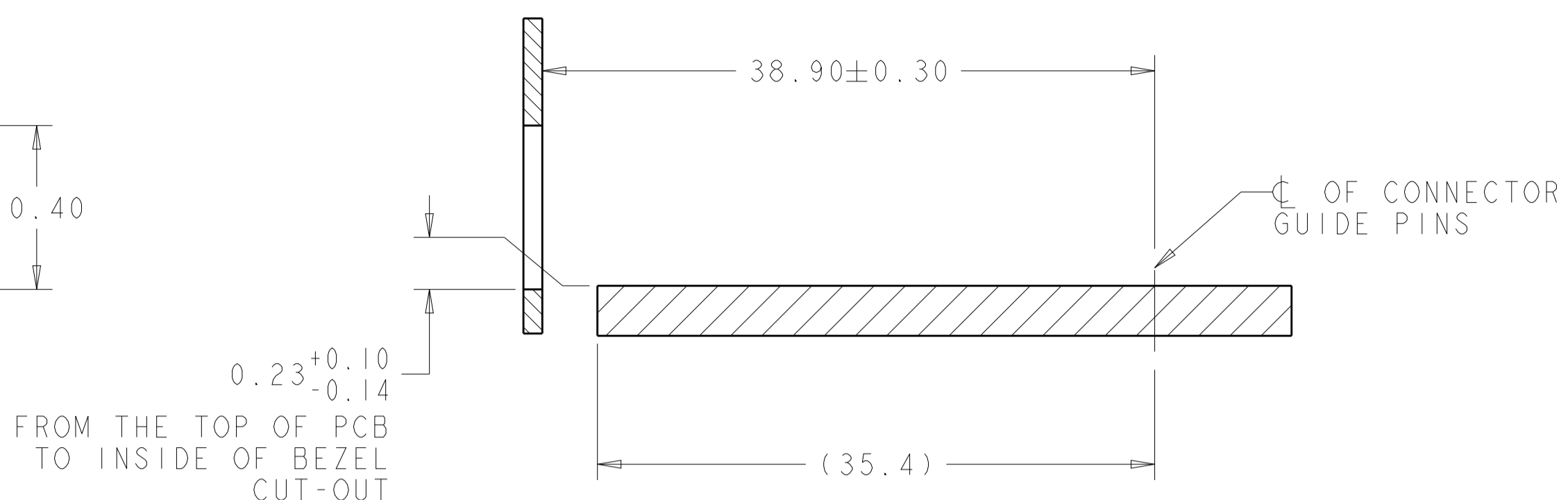
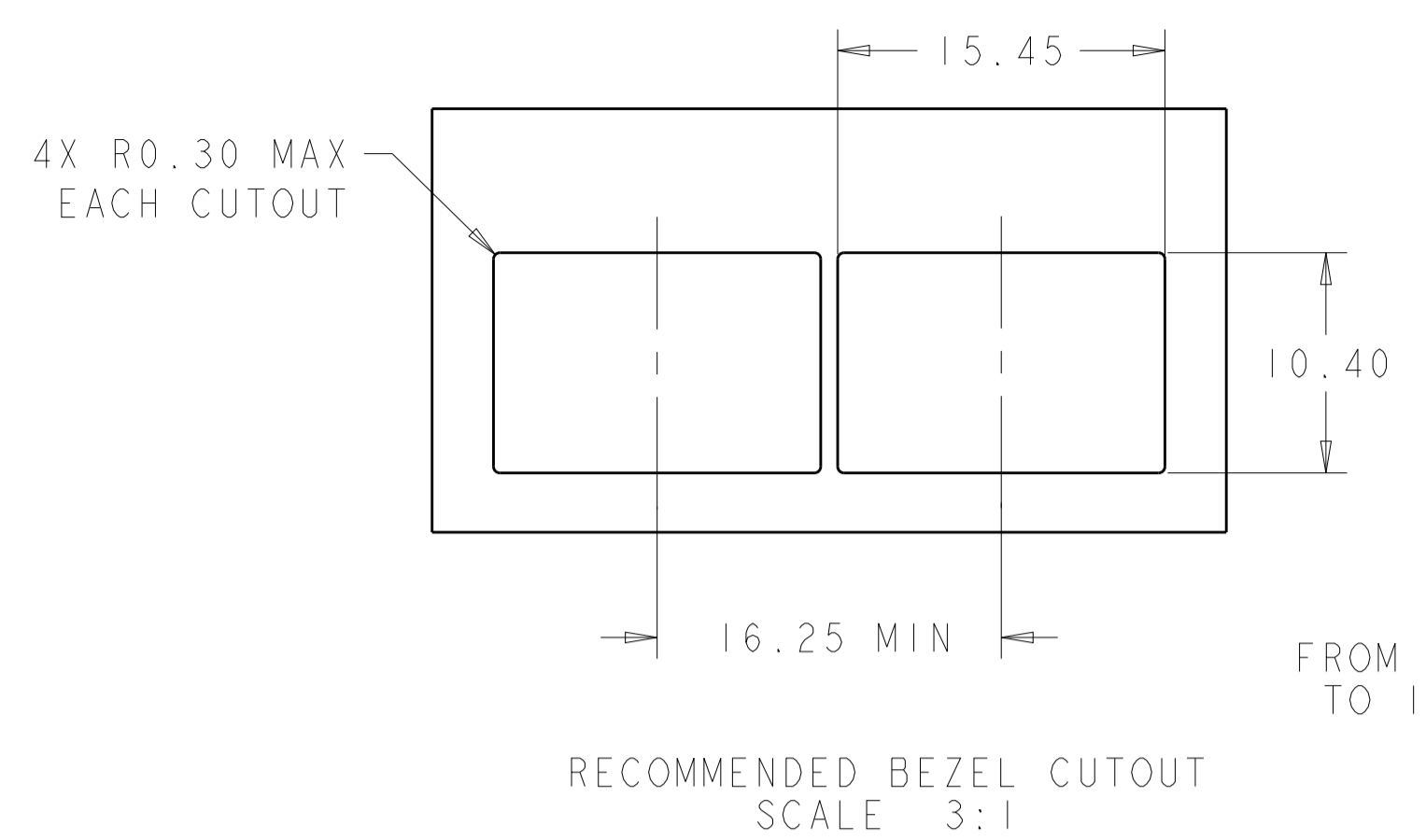
2110304-7

THIS DRAWING IS A CONTROLLED DOCUMENT.		DWN C. ROHLER 13FEB2009	TE Connectivity
DIMENSIONS: mm		CHK M. SCHMITT 13FEB2009	
		APVD B. WERTZ 13FEB2009	NAME SFP+ IXI CAGE ASSEMBLY, SOLDER TAIL, EMI SPRINGS
TOLERANCES UNLESS OTHERWISE SPECIFIED: 0 PLC ±0.1 1 PLC ±0.5 2 PLC ±0.5 3 PLC ±0.5 4 PLC ±0.13 ANGLES ±0.13 FINISH		PRODUCT SPEC APPLICATION SPEC 114-13120	SIZE A100779C=2110304
MATERIAL		WEIGHT	RESTRICTED TO
Customer Drawing		SCALE 1:1	SHEET 2 OF 4 REV D4

LOC	DIST	REV	DATE	BY	APPV
GP	00				

REVISIONS		DATE	BY	APPV
1	SEE SHEET 1			



CROSS-HATCHED AREA DENOTES COMPONENT AND TRACE KEEP-OUT (EXCEPT CHASSIS GROUND)

THIS AREA DENOTES COMPONENT KEEP-OUT (TRACES ALLOWED)

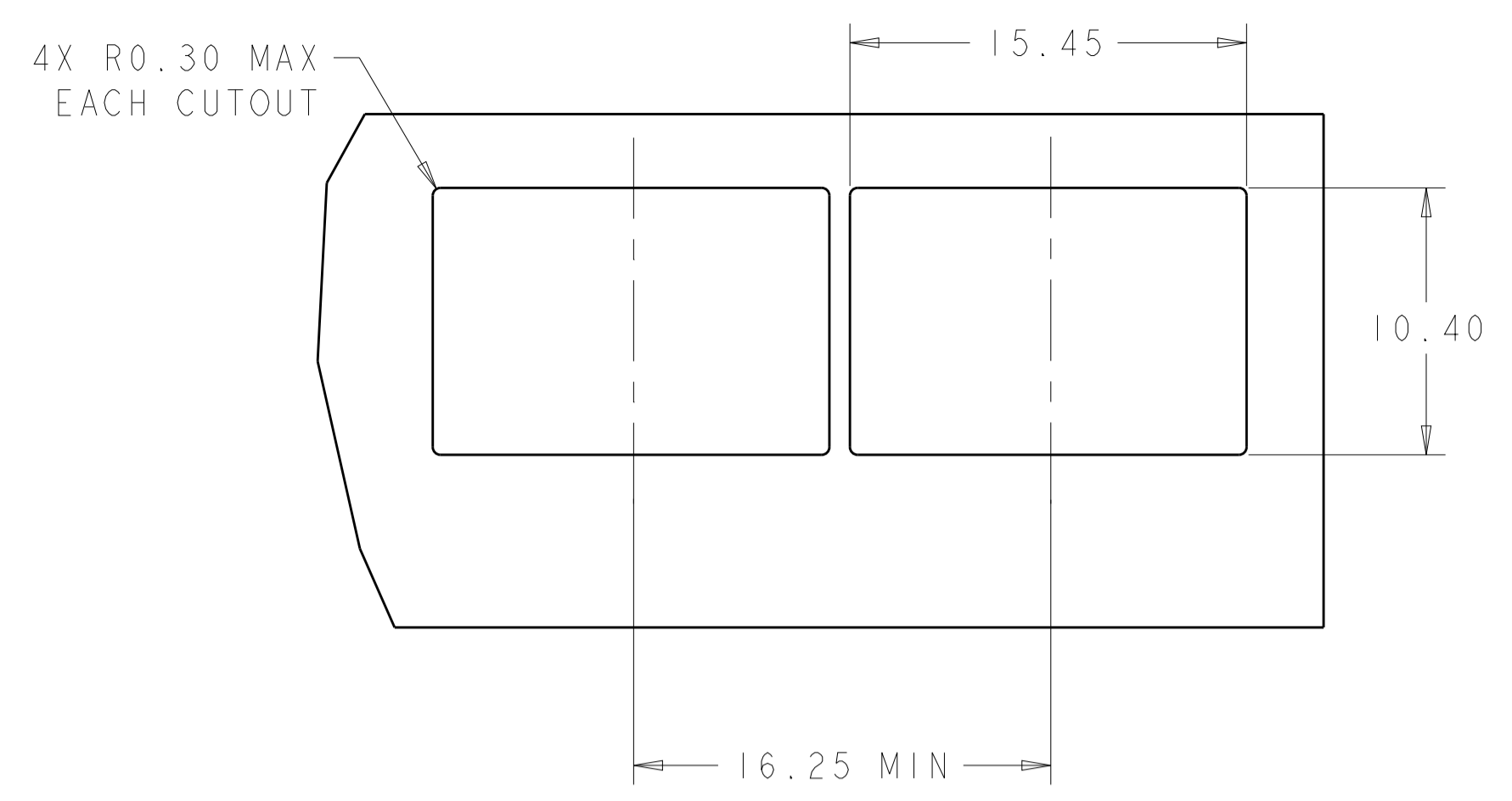
2110304-1/-5/-6/-7  
RECOMMENDED PCB LAYOUT  
SCALE 8:1

THIS DRAWING IS A CONTROLLED DOCUMENT.		OWN: C. ROHLER 13FEB2009	TE Connectivity
DIMENSIONS: mm		CHK: M. SCHMITT 13FEB2009	
TOLERANCES UNLESS OTHERWISE SPECIFIED:		APV: B. WERTZ 13FEB2009	NAME: SFP+ IXI CAGE ASSEMBLY, SOLDER TAIL, EMI SPRINGS
0 PLC ±0.1	1 PLC ±0.5	PRODUCT SPEC	SIZE: CAGE CODE DRAWING NO
2 PLC ±0.5	3 PLC ±0.5	APPLICATION SPEC	RESTRICTED TO
4 PLC ±0.13	5 PLC ±0.13	114-13120	A100779C=2110304
ANGLES ±0.13	FINISH	WEIGHT	SCALE 1:1 SHEET 3 OF 4 REV D4
MATERIAL		Customer Drawing	

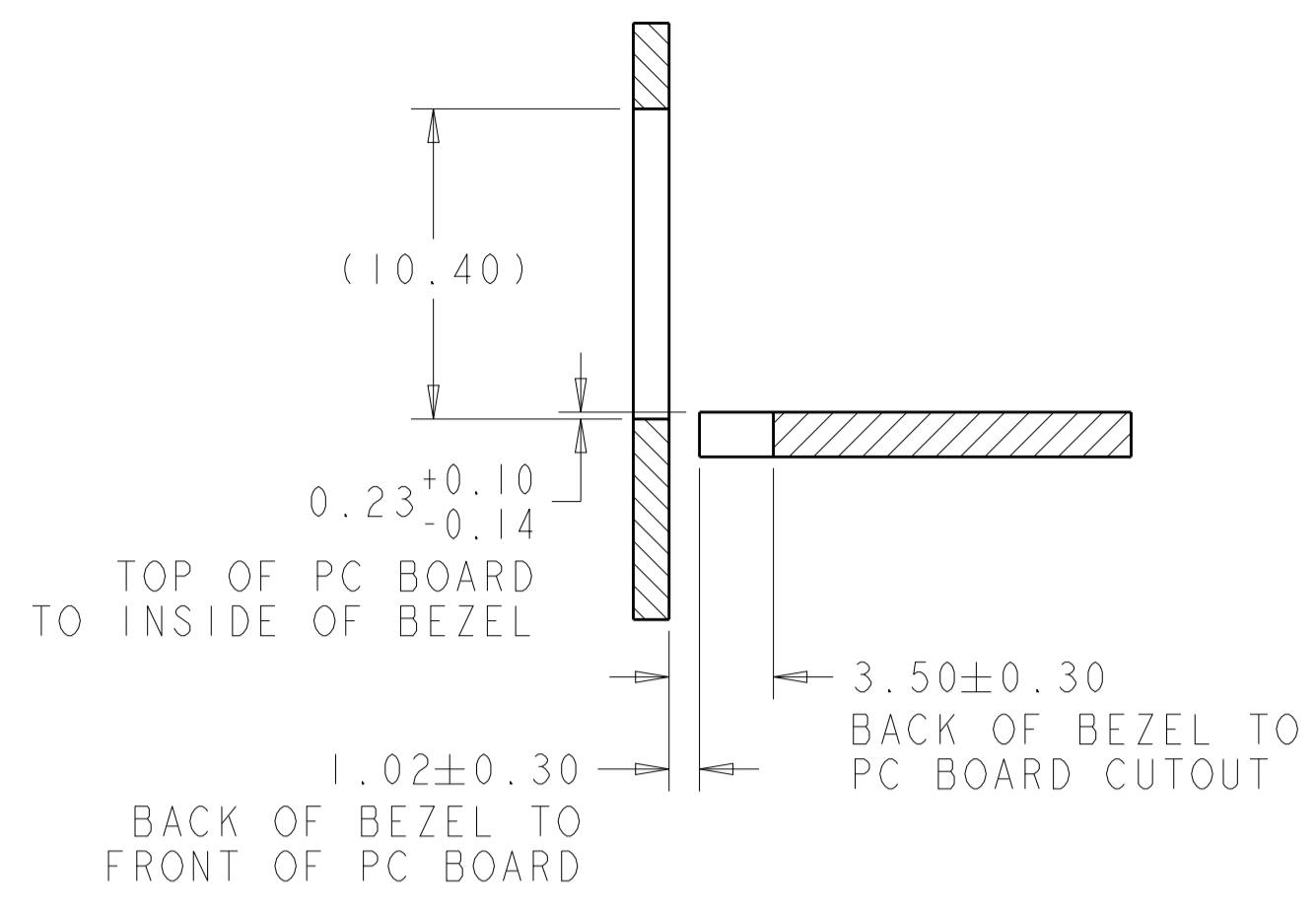
LOC	DIST	REV	DATE	BY	APPV
GP	00				

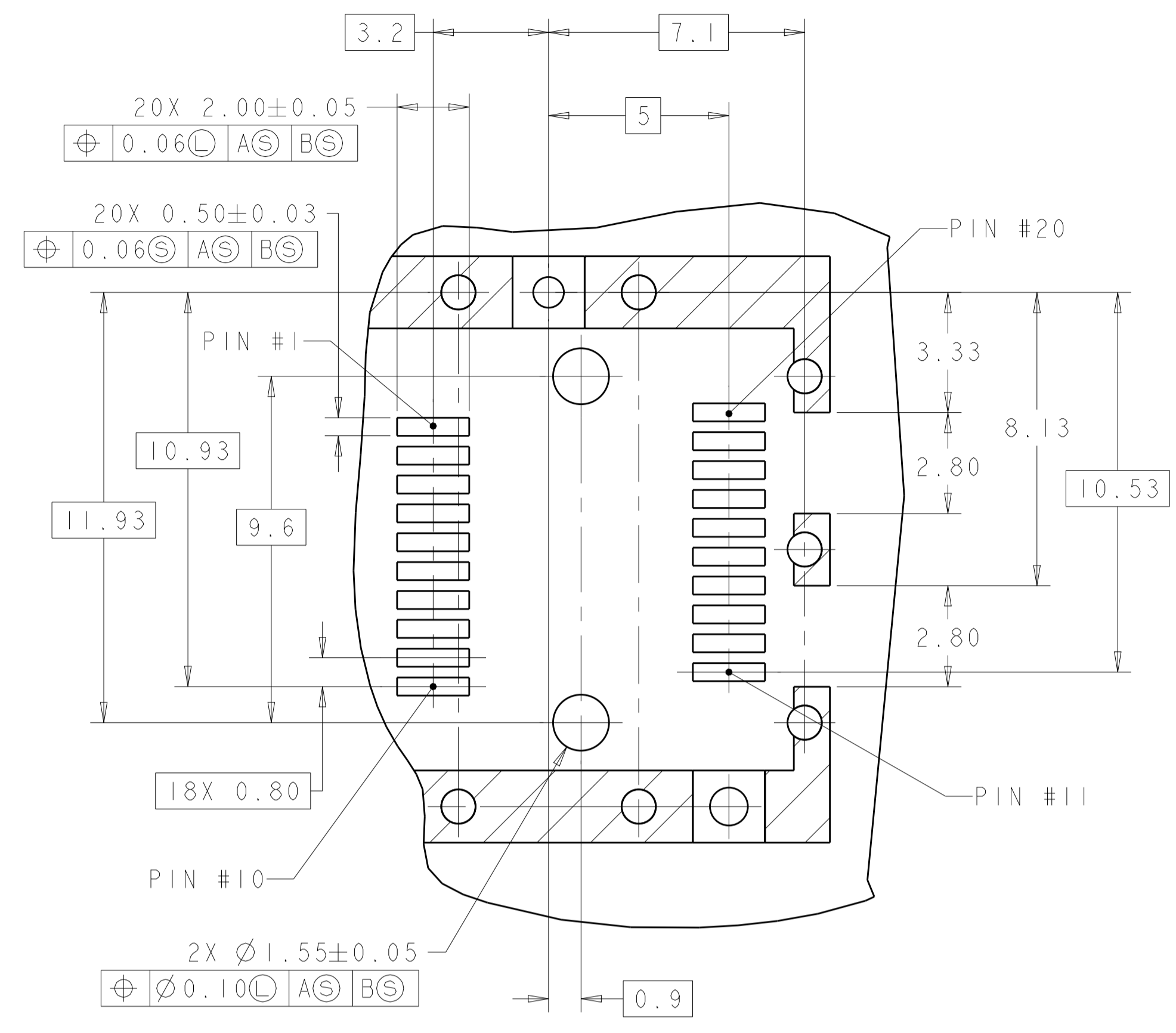
REVISIONS			
REV	DATE	BY	APPV
-	-	-	-
SEE SHEET 1			



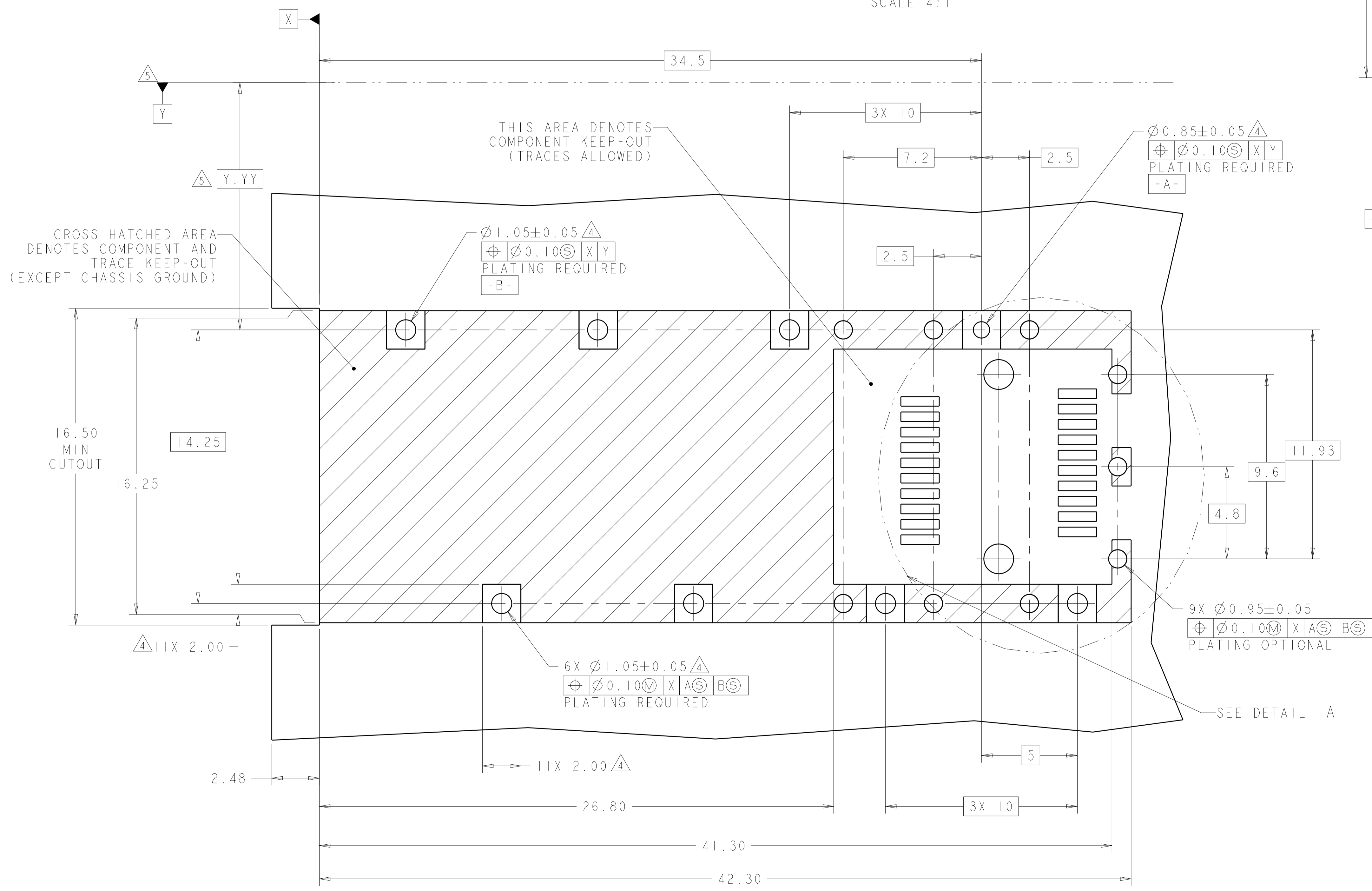
RECOMMENDED BEZEL CUTOUT  
SCALE 4:1



RECOMMENDED BEZEL AND  
PC BOARD ORIENTATION  
SCALE 4:1



DETAIL A  
SCALE 8:1



2110304-3/-8  
RECOMMENDED PCB LAYOUT  
SCALE 8:1

THIS DRAWING IS A CONTROLLED DOCUMENT.		OWN C. ROHLER 13FEB2009	TE Connectivity												
DIMENSIONS: mm		CHK M. SCHMITT 13FEB2009													
TOLERANCES UNLESS OTHERWISE SPECIFIED:		APV B. WERTZ 13FEB2009	NAME SFP+ IXI CAGE ASSEMBLY, SOLDER TAIL, EMI SPRINGS												
<table border="1"> <tr><td>0 PLC</td><td>±0.1</td></tr> <tr><td>1 PLC</td><td>±0.5</td></tr> <tr><td>2 PLC</td><td>±0.5</td></tr> <tr><td>3 PLC</td><td>±0.13</td></tr> <tr><td>4 PLC</td><td>±0.13</td></tr> <tr><td>ANGLES</td><td>±0.13</td></tr> </table>		0 PLC	±0.1	1 PLC	±0.5	2 PLC	±0.5	3 PLC	±0.13	4 PLC	±0.13	ANGLES	±0.13	PRODUCT SPEC	SIZE 114-13120
0 PLC	±0.1														
1 PLC	±0.5														
2 PLC	±0.5														
3 PLC	±0.13														
4 PLC	±0.13														
ANGLES	±0.13														
MATERIAL		APPLICATION SPEC	RESTRICTED TO												
FINISH		WEIGHT	A100779C=2110304												
		Customer Drawing	SCALE 2:1 SHEET 4 OF 4 REV D4												