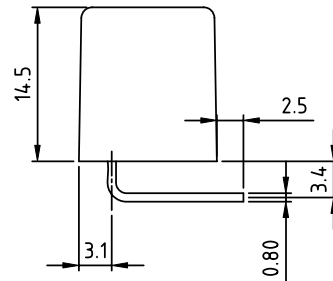
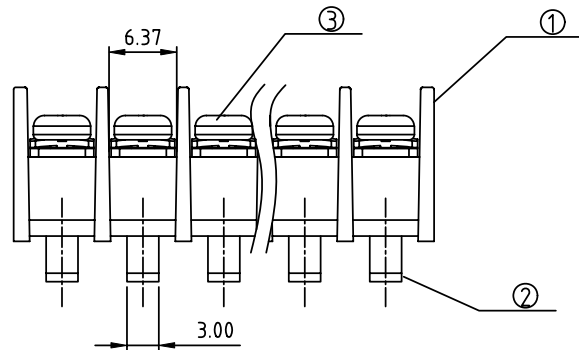
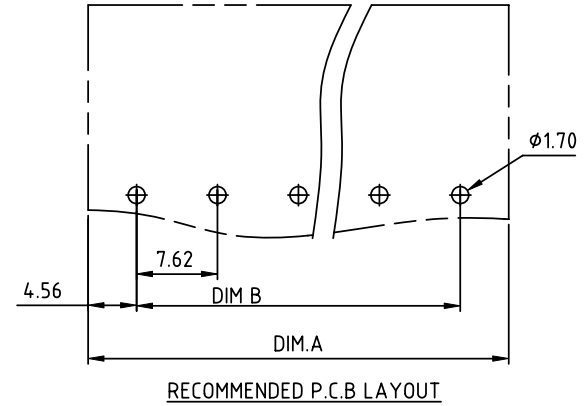
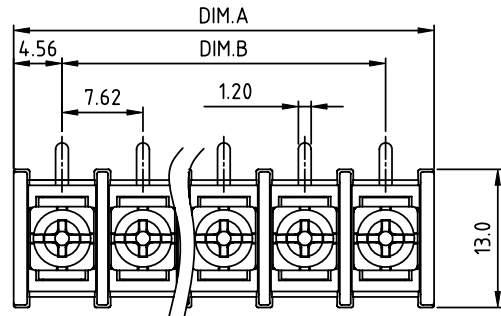


PRODUCT NUMBER	PITCH
YK311xx0x0JOG	7.62 mm



**MATERIALS & ELECTRICAL**

**RATED VOLTAGE & CURRENT:** 250 V, 15 A

**WITHSTAND VOLTAGE:** AC 2000 V/Min

**INSULATION RESISTANCE:** 1000 MΩ OR MORE AT DC 500 V

**OPERATING TEMPERATURE RANG:** -40 °C ~ +115 °C

**SCREW TORQUE VALUE:** 5.3 Lb-In.

**WIRE RANGE:** 22 - 16 AWG

**1) HOUSING:** THERMOPLASTIC, UL 94 V-0 BLACK

**2) TERMINAL:** BRASS, 0.8t

**3) TERMINAL SCREWS:** STEEL, M3

APPROVAL:

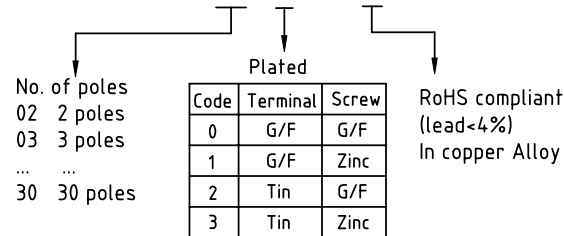
**DIMENSION**

Dim A	N×7.62+15
Dim B	(N-1)×7.62

N=Number of poles

Poles	Tolerance
2p-5p	±0.20
6p-10p	±0.25
11p-16p	±0.35
17p-24p	±0.40
25p-30p	±0.50

PART NO.: YK 311xx 0 x 0 JOG



mat'l. code		surface ASME Y14.5	tolerance ASME Y14.5	projection	product family TERMINAL BLOCK
ltr	ecn no	dr	date	tolerances unless otherwise specified	title TERMINAL BLOCK
				angles X°±1°	BARRIER TYPE
				scale	sheet 1 of 1 size A4
				dr EVAN LU 061214	FCI type CUSTOMER Drawing
				enr EVAN LU 061214	
				chr HANKE FENG 061214	
				appd SHI JUN 061214	
sheet index	revision sheet	A	1		