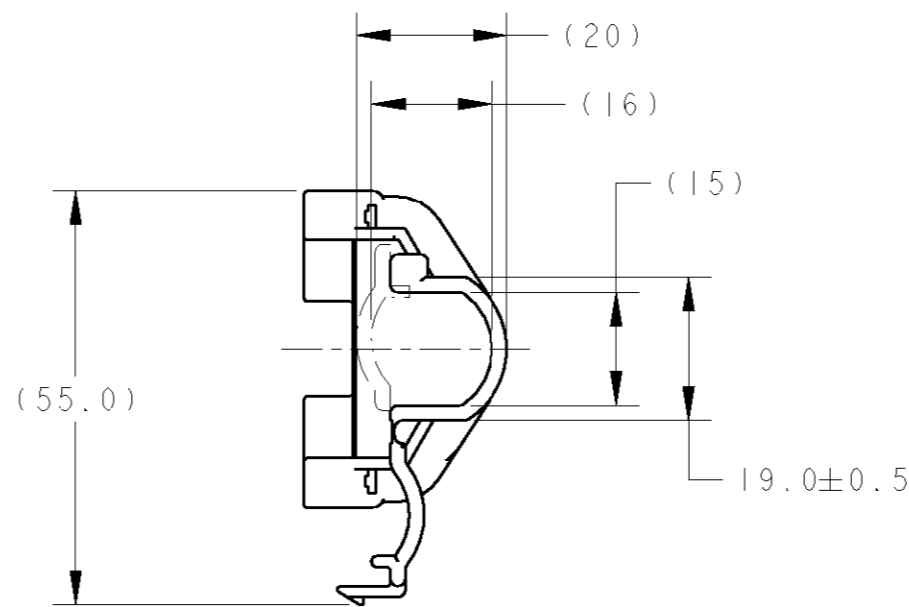
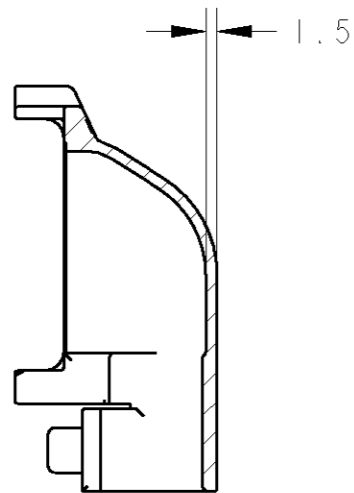
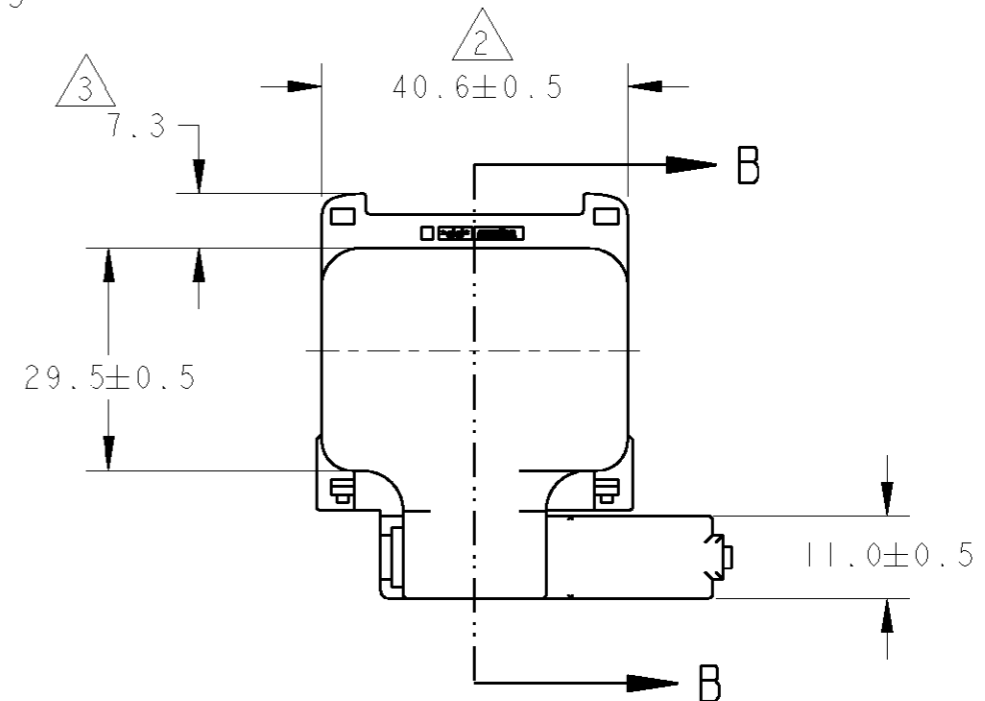
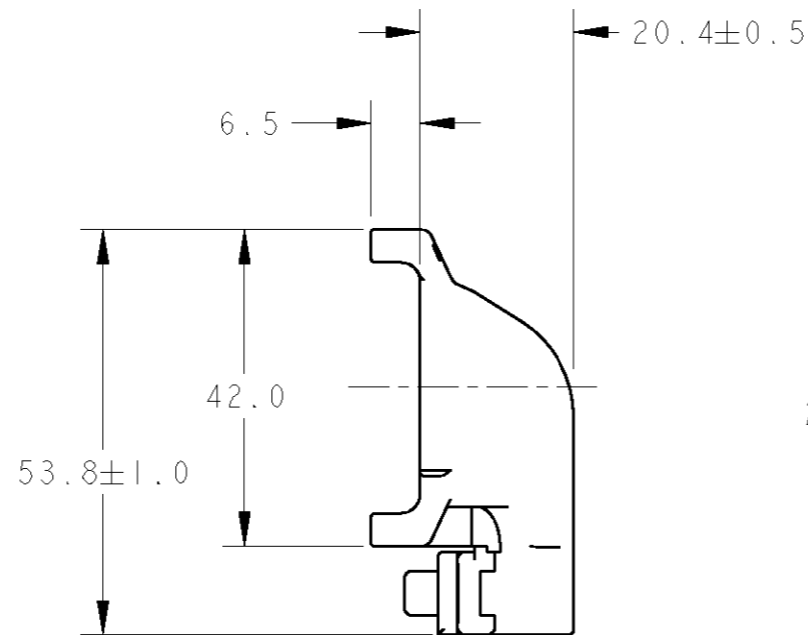
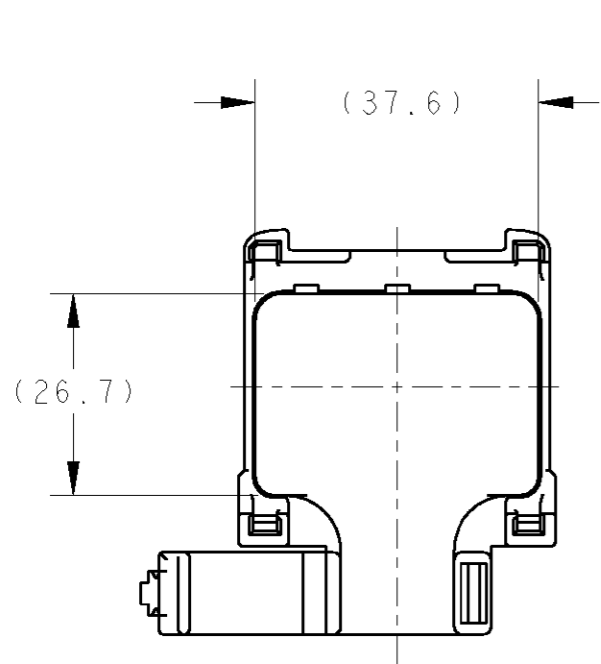


THIS DRAWING IS UNPUBLISHED. RELEASED FOR PUBLICATION 20
 © COPYRIGHT 20 BY TYCO ELECTRONICS CORPORATION. ALL RIGHTS RESERVED.

LOC	DIST	REVISIONS				
P	LTR	DESCRIPTION	DATE	DWN	APVD	
IN	00	A	REVISED PER ECO-06-014095	13JUN2006	MDB	MDB



- FOR USE WITH TYCO PLUG ASSEMBLY NUMBER 1747731, SOLD SEPARATELY.
- MEASURED AT THIS MARKED $\triangle 3$.
- THIS PRODUCT HAS NOT COMPLETED VALIDATION TESTING.

776665-1
PART NUMBER

SECTION B-B

<small>THIS DRAWING IS A CONTROLLED DOCUMENT FOR TYCO ELECTRONICS CORPORATION. IT IS SUBJECT TO CHANGE AND THE CONTROLLING ENGINEERING ORGANIZATION SHOULD BE CONTACTED FOR THE LATEST REVISION.</small>		DWN K.FOLTZ 04APR2005 CHR G.MARTIN 04APR2005 APVD G.MARTIN 04APR2005	tyco Electronics Tyco Electronics Harrisburg, PA 17105-3608
DIMENSIONS: mm	TOLERANCES UNLESS OTHERWISE SPECIFIED: 0 PLC ±- 1 PLC ±0.3 2 PLC ±- 3 PLC ±- 4 PLC ±- ANGLES ±-	PRODUCT SPEC - APPLICATION SPEC - WEIGHT -	NAME WIRE COVER, V TYPE, 49 POSITION, 0.64/1.00 mm SEALED CONNECTOR
MATERIAL PP	FINISH -	SIZE A3 CAGE CODE 00779 DRAWING NO C-776665	RESTRICTED TO -
CUSTOMER DRAWING		SCALE : :	SHEET OF REV A