

RJ45 10/100/1000 Base-TX Tab down 1x4 Jack with Magnetic Module



59.12 x 13.60 x 21.50 mm /
58.40 x 13.00 x 20.54mm

RoHS
Compliant

ARJ14A

FEATURES:

- Tab down
- Available with or without LED
- Suitable CAT 5 & 6 cable and UTP
- Comply IEEE 802.3ab
- LAN Magnetic with RJ45
- Suitable for RoHS compliant reflow

APPLICATIONS:

- 10, 100 and 1000 Base-T LAN
- NIC, LoM and PC

STANDARD SPECIFICATIONS at 25°C

Operating temperature range: 0°C to +70°C Storage temperature range: -40°C to +85°C

Part Number	Ratio ± 5%		Tab Option	EMI Fingers (see Mechanical)	LEDs L/R	Insertion Loss (dB typ) 0.3- 100 MHz	Return Loss (dB typ @100Ω±15%)		
	TX	RX					1- 10 MHz	30 MHz	60-80 MHz
ARJ14A-M□SA-MU2	1CT:1CT	1CT:1CT	DOWN	Yes/No	-	-1.2	-18	-16	-12
ARJ14A-M□SB-MU2	1CT:1CT	1CT:1CT	DOWN	Yes/No	-	-1.2	-18	-16	-12
ARJ14A-M□SC-MU2	1CT:1CT	1CT:1CT	DOWN	Yes/No	-	-1.2	-18	-16	-12
ARJ14A-M□SD-A-B-ΔMU2	1CT:1CT	1CT:1CT	DOWN	Yes	G/Y	-1.2	-18	-16	-12
ARJ14A-M□SD-MU2	1CT:1CT	1CT:1CT	DOWN	Yes/No	-	-1.2	-18	-16	-12

Part Number	Crosstalk (dB TYP)			Common Mode Rejection (dB TYP)		Hipot (Vrms)
	1 - 10 MHz	30 - 60 MHz	60 - 100 MHz	1 - 50 MHz	50 - 130 MHz	
ARJ14A-M□SA-MU2	-40	-35	-30	-30	-20	1500
ARJ14A-M□SB-MU2	-30	-30	-30	-30	-20	1500
ARJ14A-M□SC-MU2	-40	-35	-30	-30	-20	1500
ARJ14A-M□SD-A-B-ΔMU2	-40	-35	-30	-30	-20	1500
ARJ14A-M□SD-MU2	-40	-35	-30	-30	-20	1500

□: Mechanical option: E, F or I for non- LED; A or B for LED.

Δ: LED polarity option E or F

Contact Abracon for more custom configurations. See options to build a custom configuration.

OPTIONS AND PART IDENTIFICATION

ARJ14A - □ □ - □ - □ - □ □ □ □

Mechanical	Schematic	Left LED color (e.g. B for Yellow, AB for Green-Yellow)	Right LED color (e.g. B for Yellow, AB for Green-Yellow)	LED polarity	Turns Ratio (Tx)	Turns Ratio (Rx)	Gold plating
MA ~ MI (Please see mechanical section)	SA ~ SZ (Please see schematic section)	Blank: No LED A: Green B: Yellow C: Amber D: Orange	Blank: No LED A: Green B: Yellow C: Amber D: Orange	Blank: No LED E ~ H (Please see 7.0 LED polarity section)	K: 1CT:1.41 L: 1CT:1 M: 1CT:1CT N: 1.414:1CT O: 1CT:1.41CT P: 1:2CT Q: 1:1.414CT R: 1CT:2.5	S: 1CT:1.41 T: 1CT:1 U: 1CT:1CT V: 1.414:1CT W: 1CT:1.41CT X: 1:2CT Y: 1:1.414CT Z: 1CT:2.5	1: 3u “ 2: 6u “ 3: 15u “ 4: 30u “ 5: 50u “

ABRACON IS
ISO 9001:2008
CERTIFIED

ABRACON
The Power of Linking Together

2 Faraday, Suite# B | Irvine | CA 92618 Revised: 01.26.16

Ph. 949.546.8000 | Fax. 949.546.8001

Visit www.abracon.com for Terms and Conditions of Sale

RJ45 10/100/1000 Base-TX Tab down 1x4 Jack with Magnetic Module



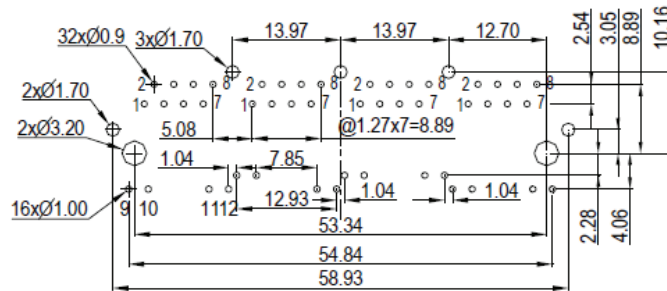
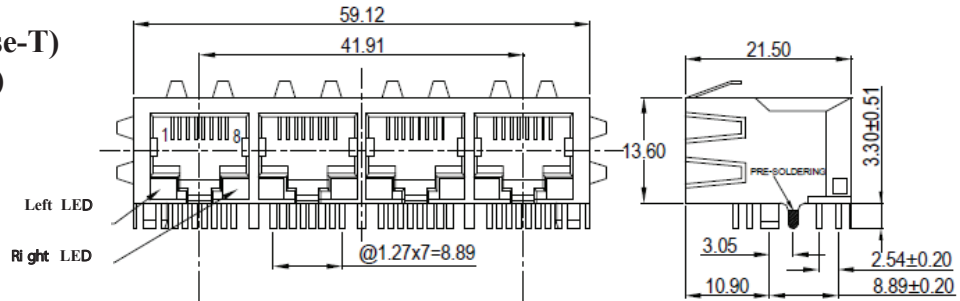
59.12 x 13.60 x 21.50 mm /
58.40 x 13.00 x 20.54mm

ARJ14A

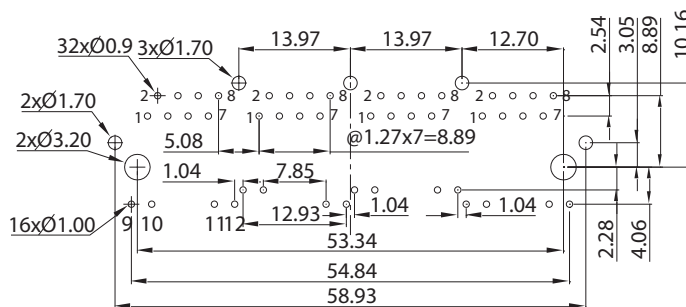
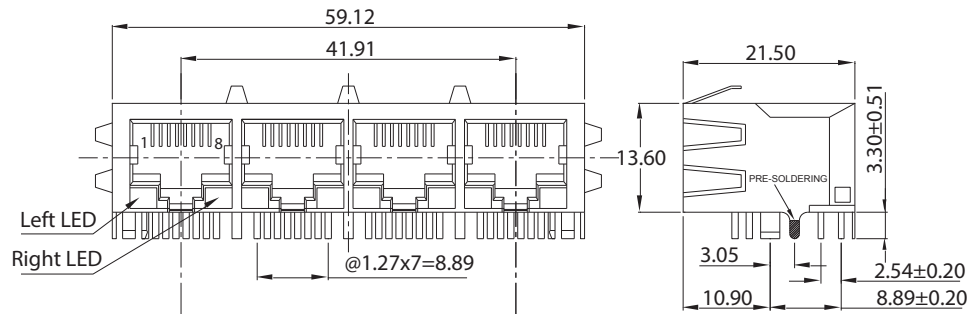
RoHS
Compliant

MECHANICAL DIMENSIONS

**MA (10/100 Base-T)
(8 EMI Fingers)**



**MB (10/100 Base-T)
(3 EMI Fingers)**



RJ45 10/100/1000 Base-TX Tab down 1x4 Jack with Magnetic Module



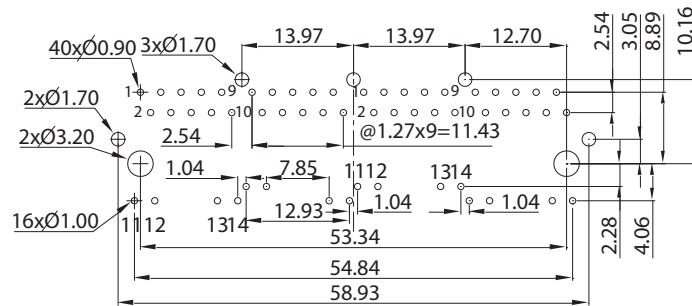
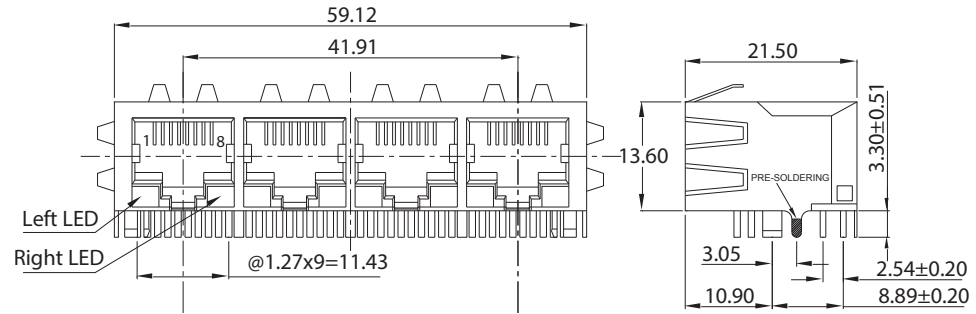
59.12 x 13.60 x 21.50 mm /
58.40 x 13.00 x 20.54mm

ARJ14A

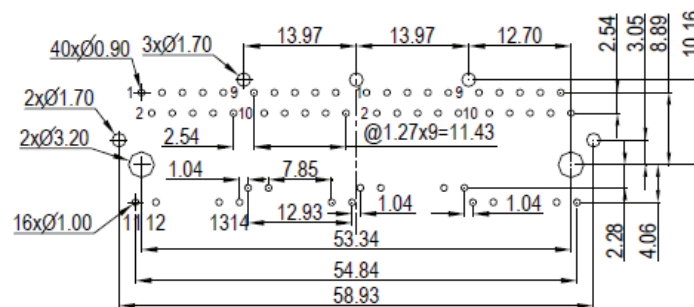
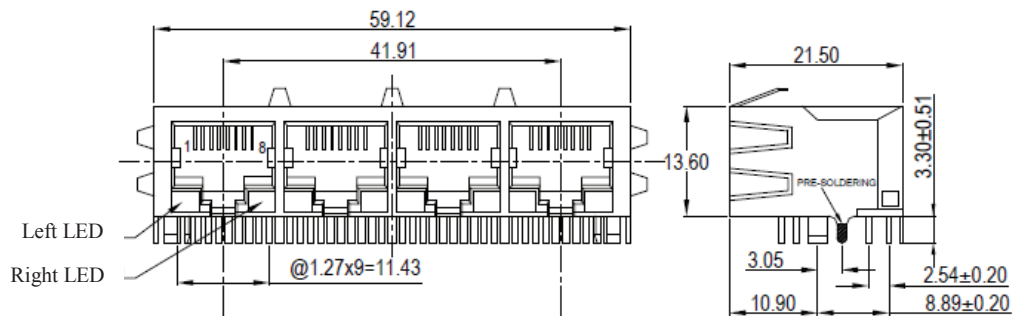
RoHS
Compliant

MECHANICAL DIMENSIONS

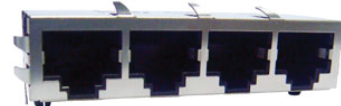
MC (1000 Base-T) (8 EMI Fingers)



MD (1000 Base-T) (3 EMI Fingers)



RJ45 10/100/1000 Base-TX Tab down 1x4 Jack with Magnetic Module



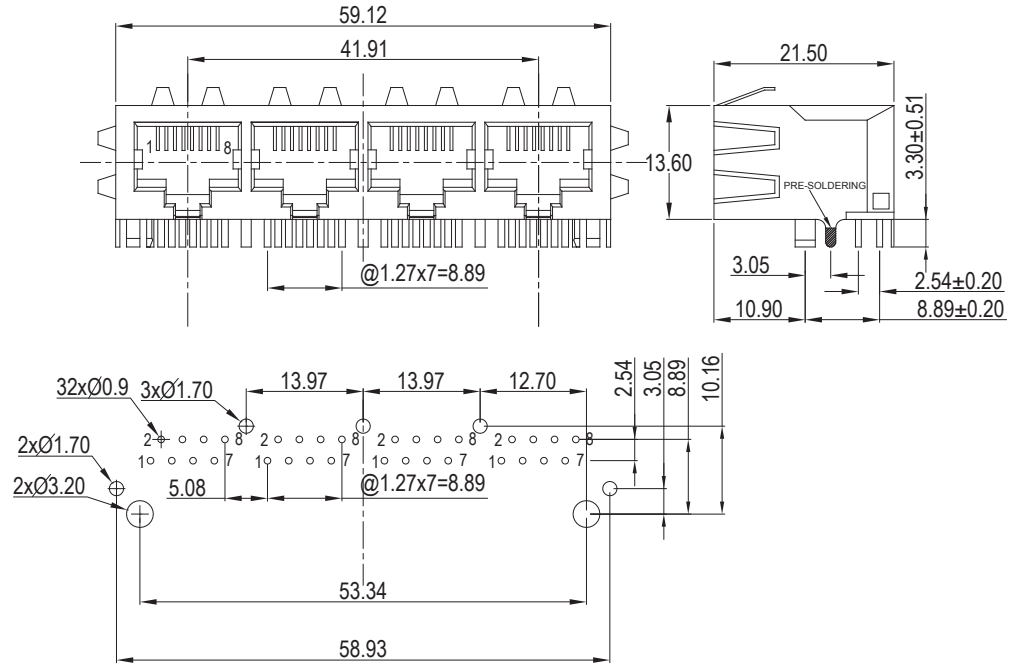
59.12 x 13.60 x 21.50 mm /
58.40 x 13.00 x 20.54mm

ARJ14A

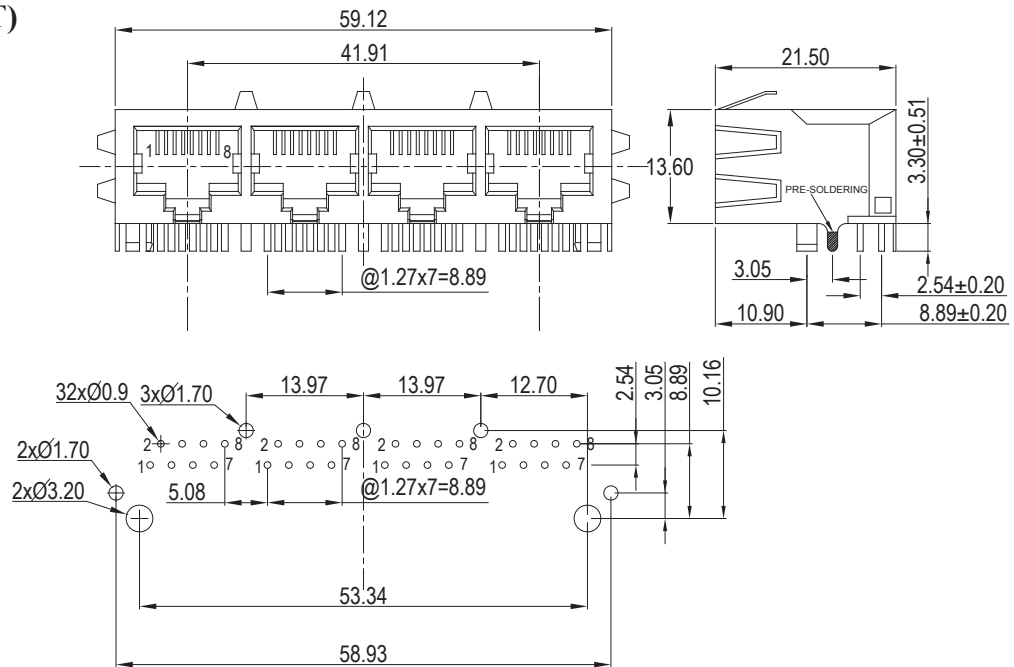
RoHS
Compliant

MECHANICAL DIMENSIONS

ME (10/100 Base-T) (8 EMI Fingers)



MF (10/100 Base-T) (3 EMI Fingers)



RJ45 10/100/1000 Base-TX Tab down 1x4 Jack with Magnetic Module



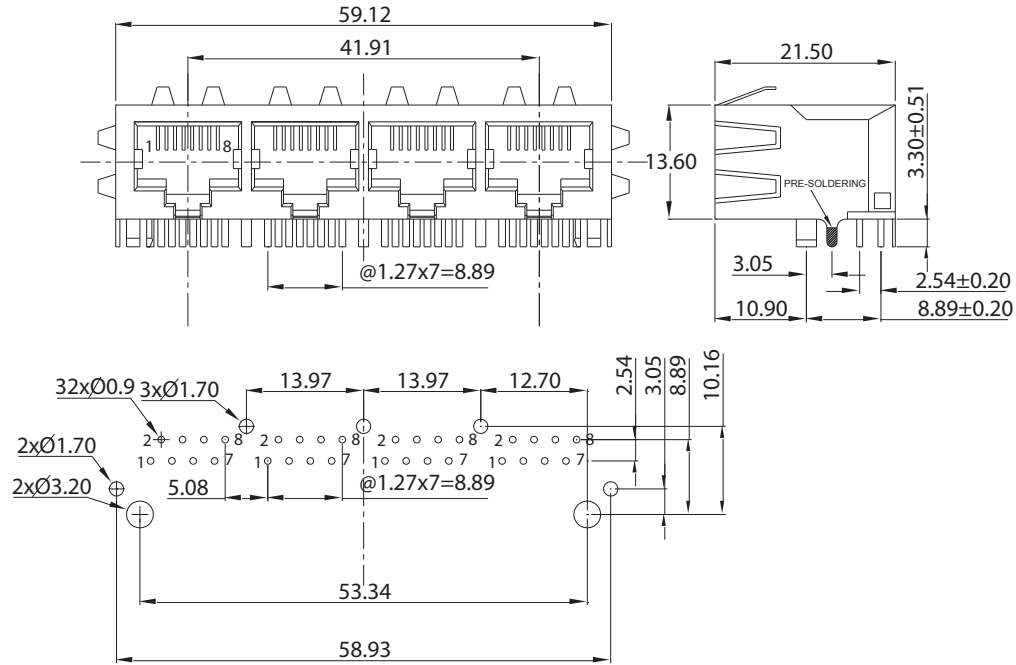
59.12 x 13.60 x 21.50 mm /
58.40 x 13.00 x 20.54mm

ARJ14A

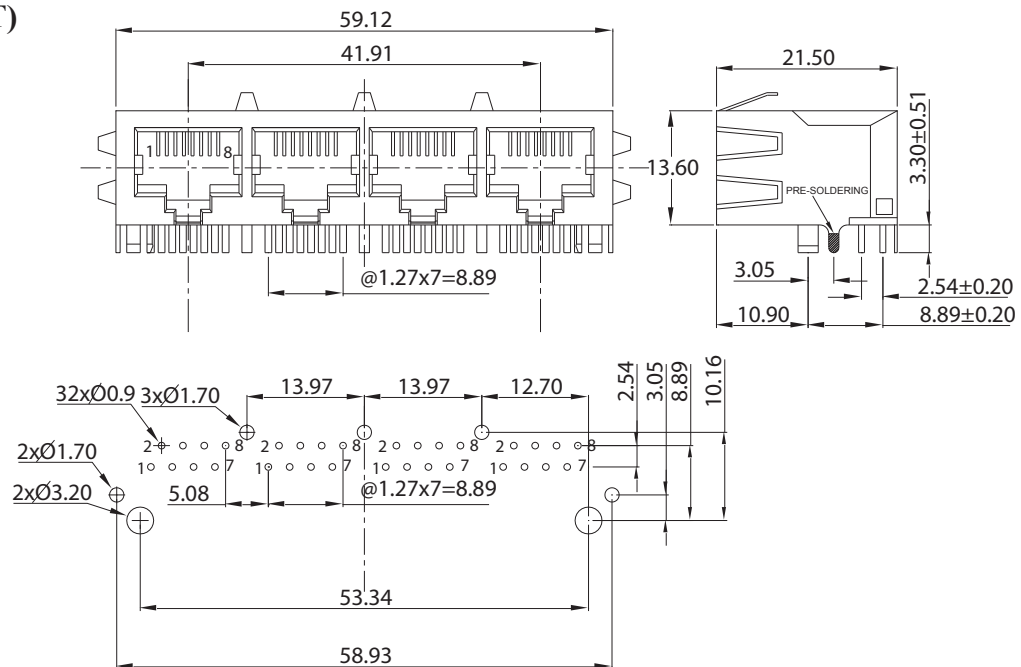
RoHS
Compliant

MECHANICAL DIMENSIONS

ME (10/100 Base-T) (8 EMI Fingers)



MF (10/100 Base-T) (3 EMI Fingers)



RJ45 10/100/1000 Base-TX Tab down 1x4 Jack with Magnetic Module



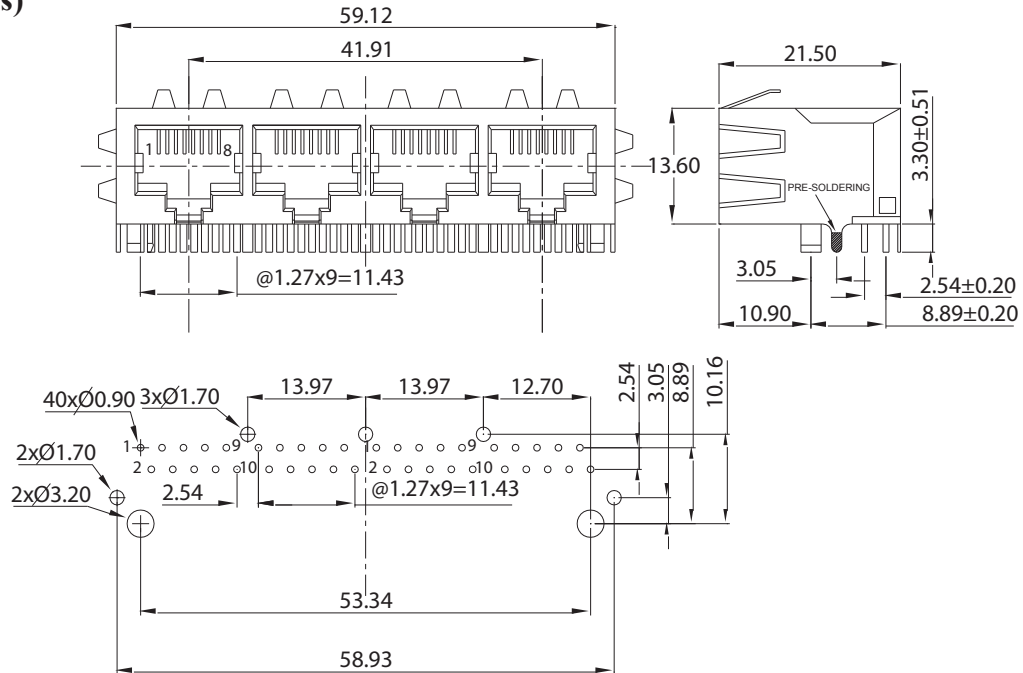
59.12 x 13.60 x 21.50 mm /
58.40 x 13.00 x 20.54mm

ARJ14A

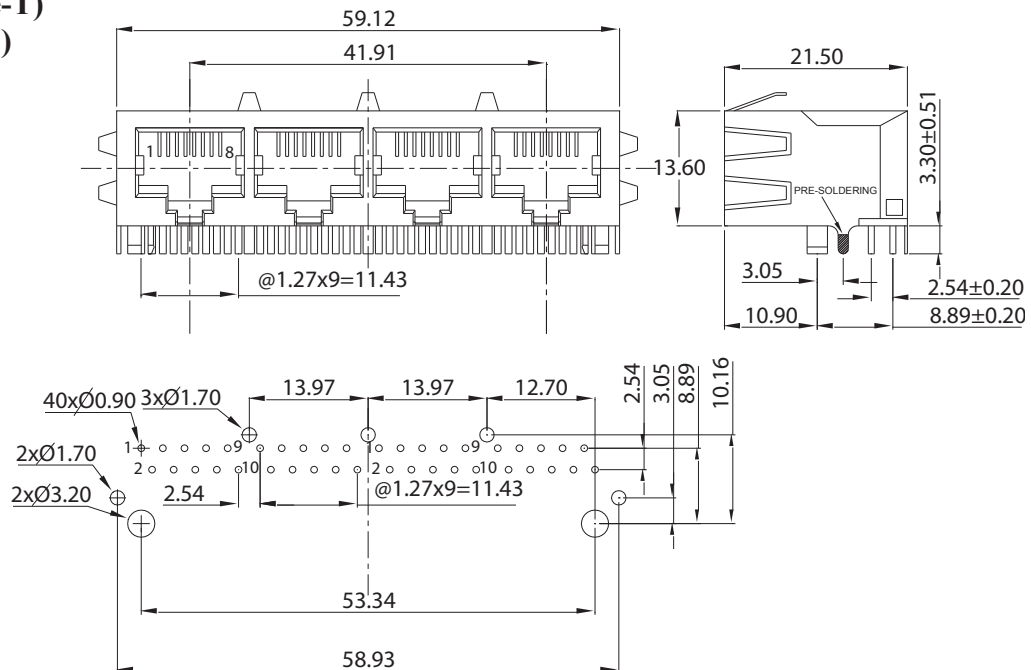
RoHS
Compliant

MECHANICAL DIMENSIONS

MG (1000 Base-T) (8 EMI Fingers)



MH (1000 Base-T) (3 EMI Fingers)



RJ45 10/100/1000 Base-TX Tab down 1x4 Jack with Magnetic Module



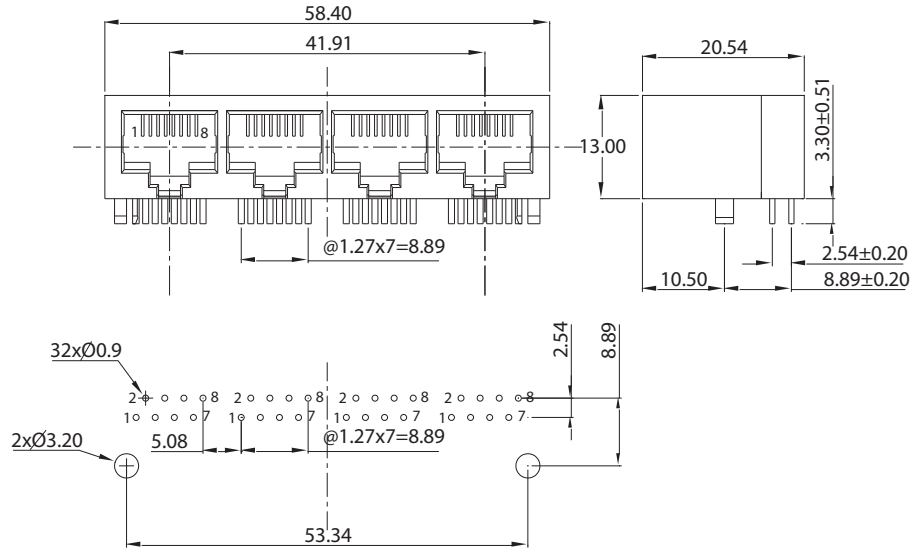
59.12 x 13.60 x 21.50 mm /
58.40 x 13.00 x 20.54mm

RoHS
Compliant

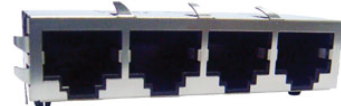
ARJ14A

MECHANICAL DIMENSIONS

MI (10/100 Base-T)



RJ45 10/100/1000 Base-TX Tab down 1x4 Jack with Magnetic Module

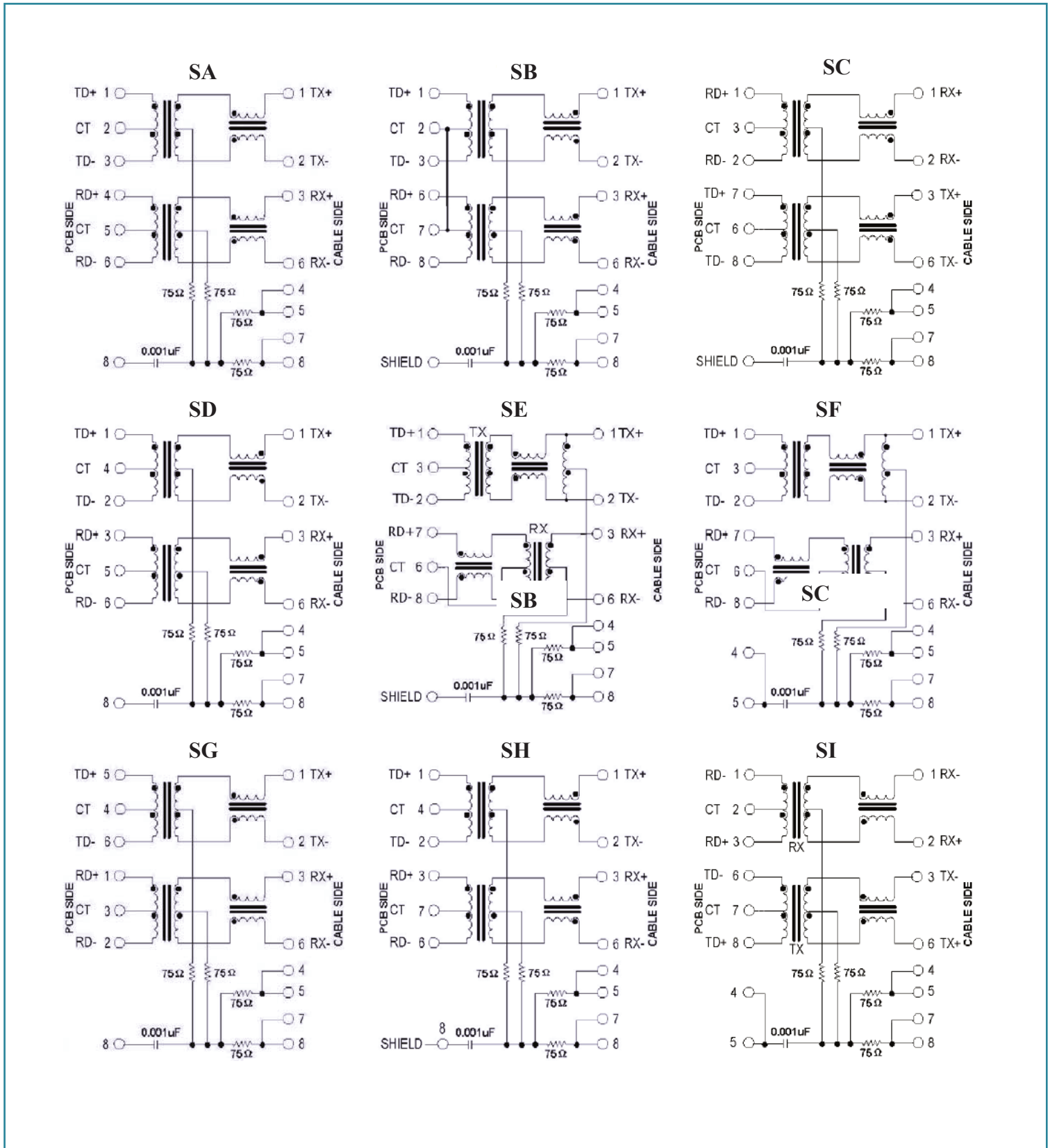


59.12 x 13.60 x 21.50 mm /
58.40 x 13.00 x 20.54mm

ARJ14A

RoHS
Compliant

SCHEMATICS



RJ45 10/100/1000 Base-TX Tab down 1x4 Jack with Magnetic Module

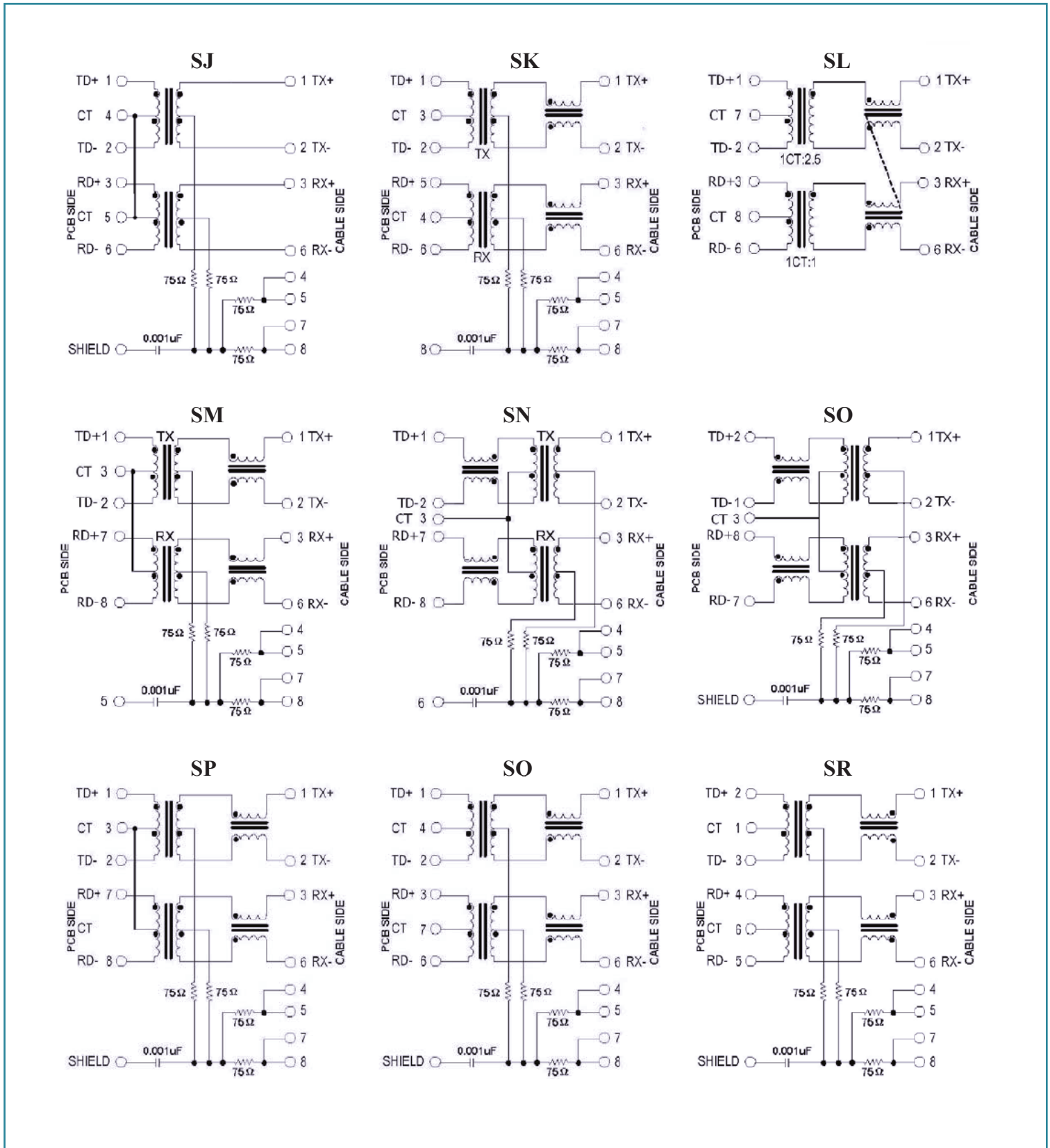


59.12 x 13.60 x 21.50 mm /
58.40 x 13.00 x 20.54mm

ARJ14A

RoHS
Compliant

SCHEMATICS - continued



ABRACON IS
ISO 9001:2008
CERTIFIED

ABRACON[®]
The Power of Linking Together

2 Faraday, Suite# B | Irvine | CA 92618 Revised: 01.26.16

Ph. 949.546.8000 | Fax. 949.546.8001

Visit www.abracon.com for Terms and Conditions of Sale

RJ45 10/100/1000 Base-TX Tab down 1x4 Jack with Magnetic Module

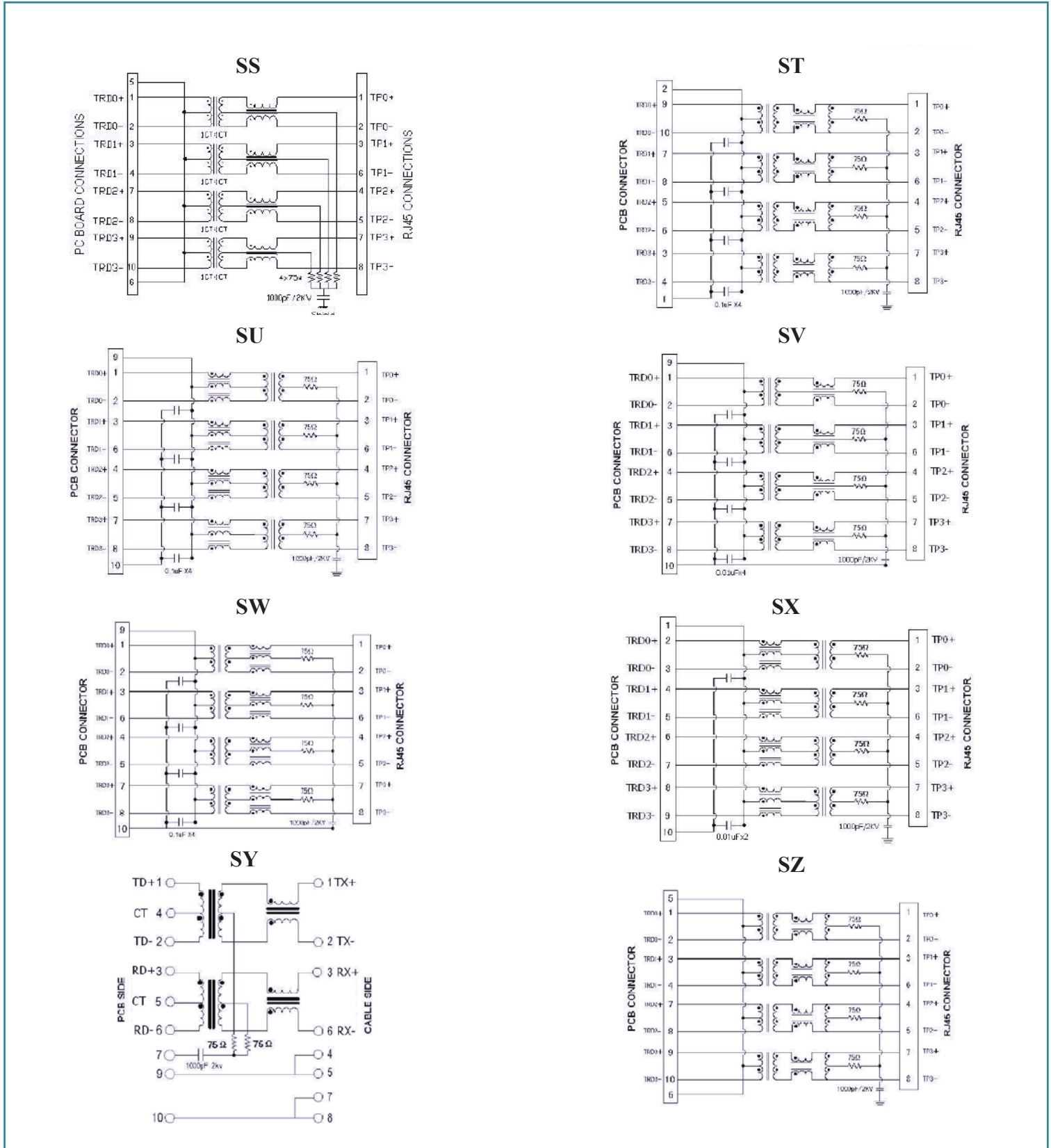


59.12 x 13.60 x 21.50 mm /
58.40 x 13.00 x 20.54mm

ARJ14A

RoHS
Compliant

SCHEMATICS



ABRACON IS
ISO 9001:2008
CERTIFIED



2 Faraday, Suite# B | Irvine | CA 92618 Revised: 01.26.16
Ph. 949.546.8000 | Fax. 949.546.8001

Visit www.abracon.com for Terms and Conditions of Sale



59.12 x 13.60 x 21.50 mm /
58.40 x 13.00 x 20.54mm

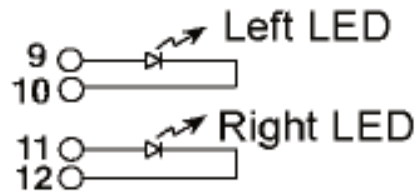
RoHS
Compliant

ARJ14A

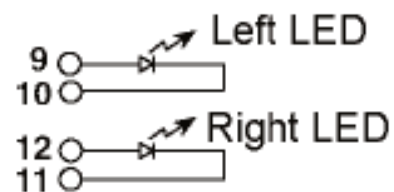
LED POLARITY

8PIN:

E

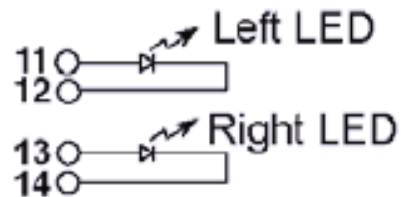


F

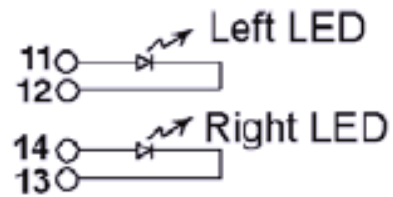


10PIN:

G



H



RJ45 10/100/1000 Base-TX Tab down 1x4 Jack with Magnetic Module



59.12 x 13.60 x 21.50 mm /
58.40 x 13.00 x 20.54mm

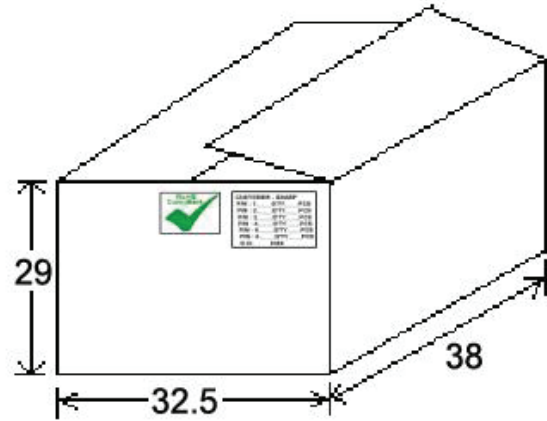
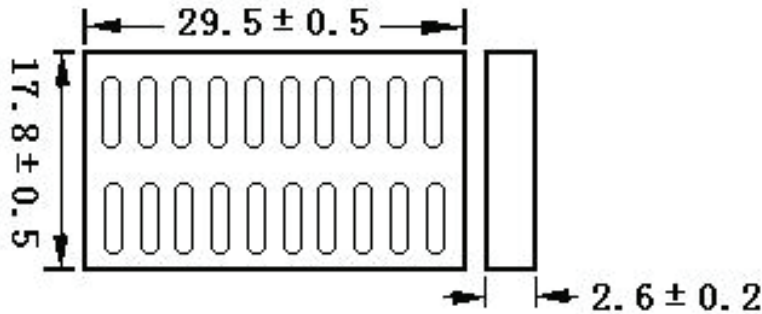
ARJ14A

RoHS
Compliant

PACKING: 20pcs/tray

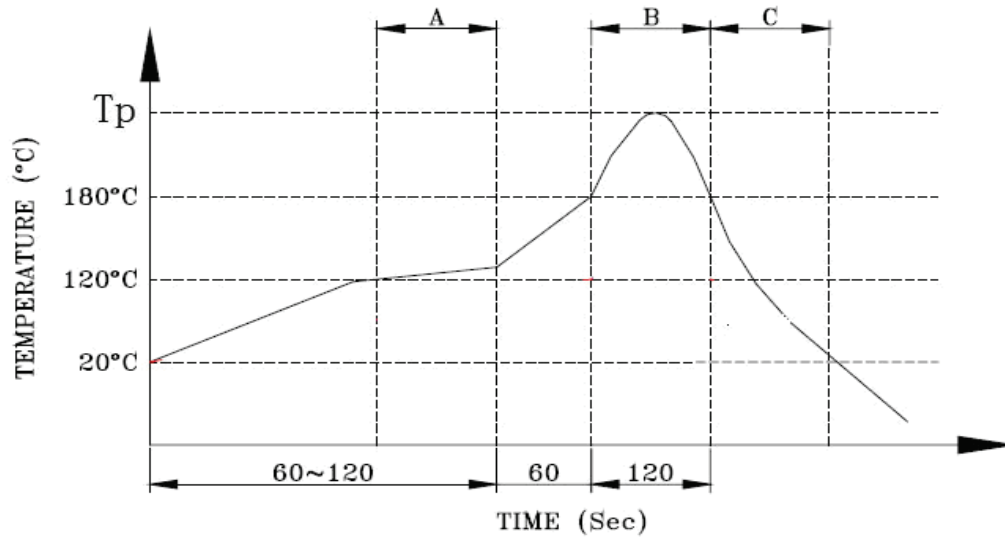
Packaging material: PET

Outer carton unit 400 pcs/ 20 Trays/box



Dimensions: cm

REFLOW PROFILE:



— PIN TEMPERATURE

A. Preheating B. Soldering C. Gradual Cooling

Peak temperature(T_p) : $250 \pm 10^\circ\text{C}$

Peak temperature(T_p) time : 5sec max

ATTENTION: Abracon Corporation's products are COTS – Commercial-Off-The-Shelf products; suitable for Commercial, Industrial and, where designated, Automotive Applications. Abracon's products are not specifically designed for Military, Aviation, Aerospace, Life-dependant Medical applications or any application requiring high reliability where component failure could result in loss of life and/or property. For applications requiring high reliability and/or presenting an extreme operating environment, written consent and authorization from Abracon Corporation is required. Please contact Abracon Corporation for more information.

ABRACON IS
ISO 9001:2008
CERTIFIED



2 Faraday, Suite# B | Irvine | CA 92618 **Revised: 01.26.16**

Ph. 949.546.8000 | Fax. 949.546.8001

Visit www.abracon.com for Terms and Conditions of Sale