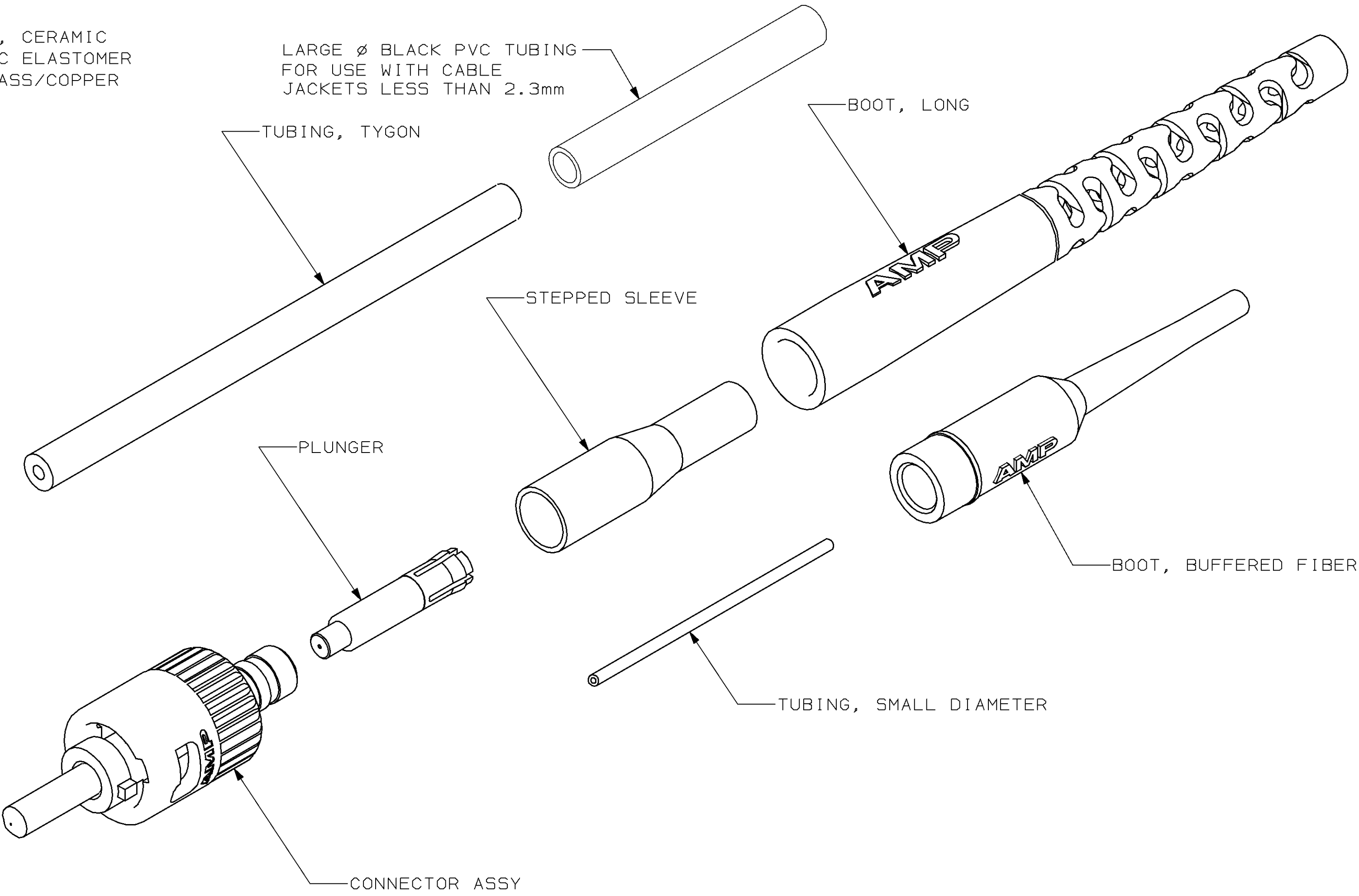


LOC		DIST		REVISIONS				DATE	APPD
ZONE	LTR	DESCRIPTION	DATE	APPD					
CE	16	P	F	G	REV PER	0A00-0318-96	7-8-96	DDE	

① CONNECTOR ASSY: AL, CERAMIC  
 BOOT: THERMOPLASTIC ELASTOMER  
 STEPPED SLEEVE: BRASS/COPPER  
 PLUNGER: AL

② STEPPED SLEEVE: Ni



SUPERSEDED BY 504001-1	-	BUFFERED FIBER	0.8 - 0.9 mm	504001-6
SUPERSEDED BY 504001-1	-	BUFFERED FIBER	0.9 - 1 mm	504001-5
OBSOLETE	STEPPED SLEEVE	LONG	500µm	504001-4
SUPERSEDED BY 504001-1	-	BUFFERED FIBER	250µm	504001-3
SUPERSEDED BY 504001-1	STEPPED SLEEVE	LONG	0.8 - 0.9 mm	504001-2
SUPERSEDED BY 504001-1	STEPPED SLEEVE	LONG/ BUFFERED	250µm/ 0.8 - 1 mm	504001-1
	CRIMP SLEEVE	BOOT TYPE	BUFFER SIZE	PART NO

DO NOT SCALE PRINT.  
 UNLESS SPECIFIED  
 DIMENSIONS IN mm [INCHES]  
 TOLERANCES ON :  
 2 PLC DEC ± -  
 3 PLC DEC ± -  
 ANGLES ± -

DR 8-29-92  
 D ERDMAN  
 CHK 8-29-92  
 B EDWARDS  
 APPD 9-21-92  
 S GRINDERSLEV

**AMP** AMP Incorporated  
 Harrisburg, PA 17105-3608

MATERIAL  
 ①  
 FINISH  
 ②

NAME  
 KIT, CONNECTOR, 125µm  
 2.5mm BAYONET, XTC  
 MULTIMODE

APPLICATION SPEC  
 -  
 WEIGHT -

SIZE CAGE CODE DRAWING NO  
 C 00779 G=504001  
 SCALE - SHEET 1 OF 1

THIS DRAWING IS A CONTROLLED DOCUMENT FOR AMP INCORPORATED. IT IS SUBJECT TO CHANGE AND THE CONTROLLING ENGINEERING ORGANIZATION SHOULD BE CONTACTED FOR THE LATEST REVISION.