

FO contacts crimp contact for wire gauge

Part No. VN 02 016 0040 8X

Series Contacts

Subseries Contact FO contacts



COMMON CHARACTERISTICS

| | | |
|-------------------------|--|----------------|
| Wire gauge from | | 0,14 |
| Wire gauge to | | 2,5 |
| Wire gauge (AWG) from | | 26 |
| Wire gauge (AWG) to | | 14 |
| Packaging / supplied as | | Single contact |
| No. of pieces | | 10 |
| Sex of Contact | | Socket |
| Type of contact | | Fiber Optic |

ELECTRICAL CHARACTERISTICS

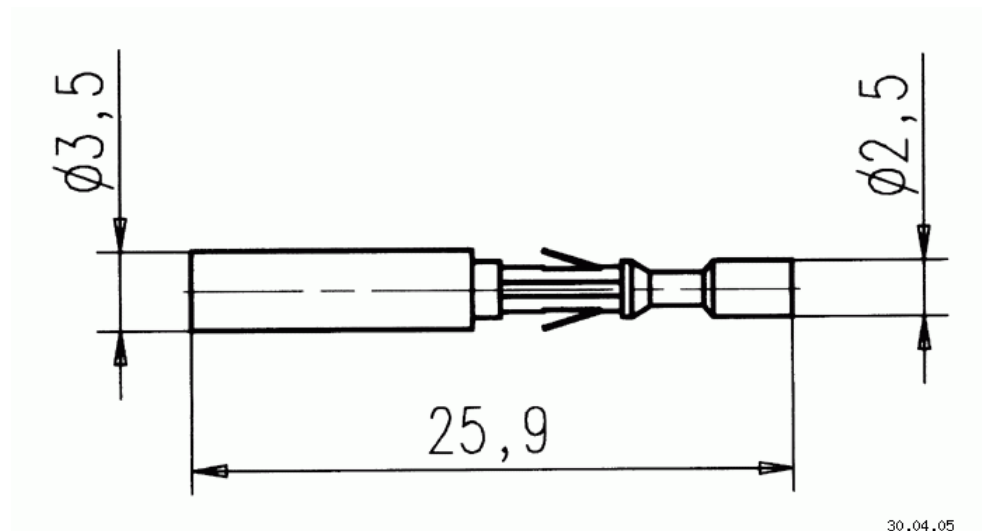
| | | |
|--------------------|--|-----|
| Contact resistance | DIN EN 60512-2-1, Test 2a / IEC 60512-2-1, Test 2a | 0 m |
|--------------------|--|-----|

FO contacts crimp contact for wire gauge

Part No. VN 02 016 0040 8X

Series Contacts

Subseries Contact FO contacts



Drawing Dimensions in mm (Inch)

30.04.05