

FIG.1

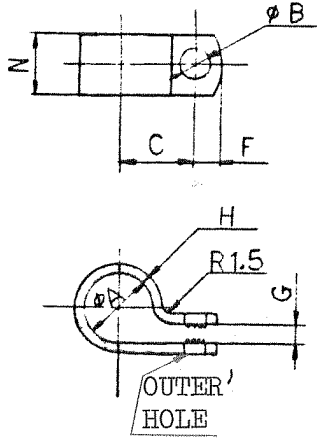


FIG.2

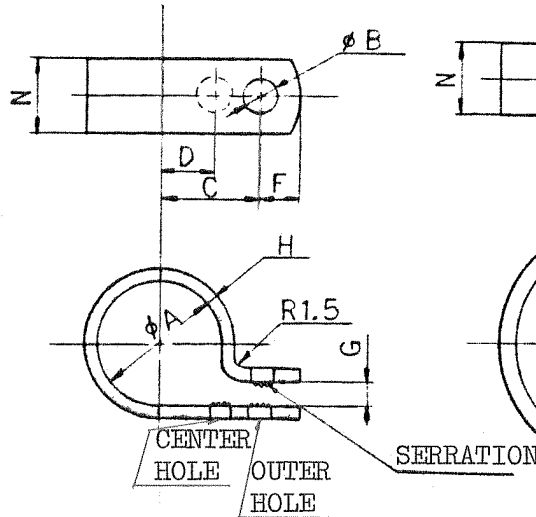
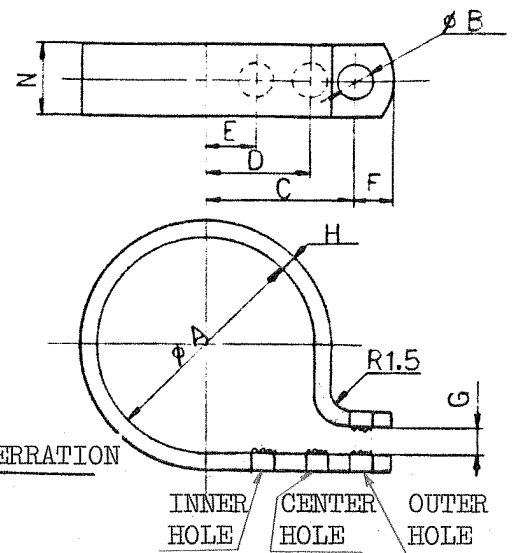



FIG.3



CAT. NO.	FIG NO.	SHIPPED DIMENSIONS									INSTALLED DIMENSIONS (± 0.2)		
		A ± 0.02	B ± 0.25	C ± 0.02	D ± 0.02	E ± 0.02	F ± 0.02	G ± 0.02	H ± 0.02	N ± 0.02	OUTER HOLE	CENTER HOLE	INNER HOLE
HP-2N	1	3.3	4.4	9.5	—	—	4.8	3.2	1.15	9.5	2.5	—	—
HP-3N	1	5.3	4.4	10.3	—	—	4.8	4.8	1.15	9.5	4.6	—	—
HP-4N	1	6.8	4.4	11.1	—	—	4.8	4.8	1.15	9.5	5.6	—	—
HP-5N	1	8.4	4.4	11.9	—	—	4.8	4.8	1.15	9.5	7.4	—	—
HP-6N	1	10.6	4.4	12.7	—	—	4.8	6.3	1.15	9.5	9.5	—	—
HP-7N	1	12.2	4.4	13.5	—	—	4.8	6.3	1.15	9.5	10.7	—	—
HP-8N	1	13.2	4.4	14.3	—	—	4.8	6.3	1.15	9.5	11.9	—	—
HP-9N	1	15.2	4.4	15.1	—	—	4.8	6.3	1.15	9.5	13.5	—	—
HP-10N	1	16	4.4	15.9	—	—	4.8	6.3	1.15	9.5	14	—	—
HP-11N	1	19	5.1	17.5	—	—	6.3	7.9	1.8	12.7	16.8	—	—
HP-12N	1	19.8	5.1	18.2	—	—	6.3	7.9	1.8	12.7	17.8	—	—
HP-13N	1	22.1	5.1	19	—	—	6.3	7.9	1.8	12.7	20.8	—	—
HP-14N	2	22.9	5.1	19.8	11.9	—	6.3	7.9	1.8	12.7	21.3	18.5	—
HP-16N	2	26.9	5.1	21.4	13.5	—	6.3	7.9	1.8	12.7	24.4	22.3	—
HP-18N	2	29.2	5.1	23	15.1	—	6.3	7.9	1.8	12.7	26.7	24.1	—
HP-24N	3	39.4	5.1	27.8	19.8	11.9	6.3	9.5	1.8	12.7	37.3	35	31.2
HP-32N	3	52.1	5.1	34.1	24.6	13.5	6.3	9.5	1.8	12.7	48.8	46.2	43.7

			SCALE \times				NYLO CLIP		
			DIM. IN mm				CAT. NO.		
			DESIGNED				HP - ___ N		
REV.	DATE	DESCRIPTION	CKD.	DRAWN <i>T. Kobayashi</i>			DRAWING NO.		REV.
MATERIAL				CHECKED			JSA 26613		0
NYLON 66 (COLOR : NATURAL)				APPROVED <i>H. Gnomoto</i>					
				DATE Jan. 19, 1982					