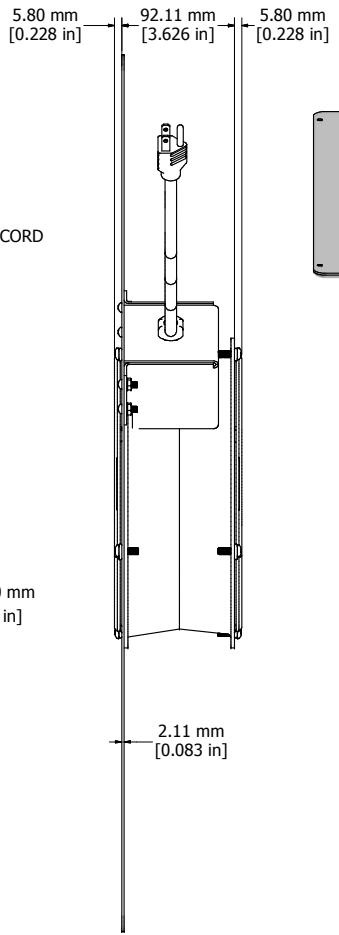


ASSEMBLY - VIEW FROM TOP



ASSEMBLY - VIEW FROM SIDE



ISOMETRIC VIEW

C2T1936F10	
Finish - Top - Painted Steel	
- Finger Guard - Chrome Plated	
Rated - 115 VAC, 50/60 Hz, 0.29 Amps	
Free Flow Air Delivery - 550 CFM	
Approvals - cURus Recognized UL507 and CSA C22.2 No.113	
COLOURS	
Black - C2T1936F10BK1	
Beige - C2T1936F11CG1	
Light Grey - C2T1936F10LG1	
HARDWARE	
6 Screws - RoundHead 8-32 x 1/2"	
6 Speed Nuts	



**HAMMOND
MANUFACTURING™**

C2T1936F10

www.hammondmfg.com