

# Miniature Neon Indicators WITH BUILT-IN RESISTOR FOR MOUNTING IN 11/16" CLEARANCE HOLE



T-3 1/4  
B1A (NE-51)  
B2A (NE-51H)  
MINIATURE BAYONET BASE  
See lamp ratings on page L.

For materials and finishes of products in this group, see page 9D.

PER MIL-L-3661B



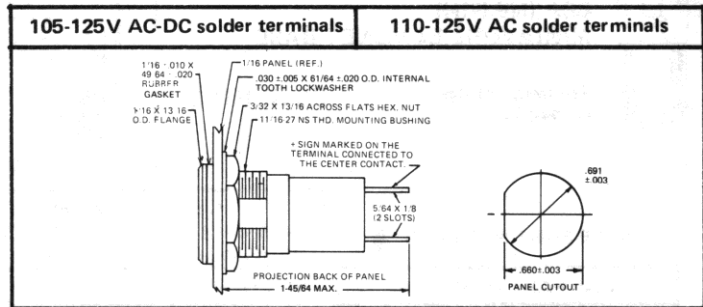
**373 SERIES**  
**375 SERIES**  
**376 SERIES**

373-0408-0131-273

Convex lens

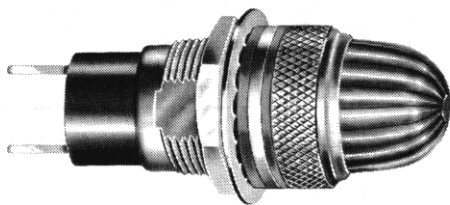
BASE PART NUMBERS

## WITH SCREW-IN LENS CAPS



105-125V AC-DC solder terminals	110-125V AC solder terminals
LH76/1 373-0408-01-273	LH76/2 373-0463-01-223

CAP PART NUMBERS	COMPLETE ASSEMBLY PART NUMBERS	
<p>LC14 81-0131-203 convex, transparent</p>	373-0408-0131-273	373-0463-0131-223
<p>LC17 203-0131-203 convex, mech. dimmer complete blackout</p>	375-0408-0131-273	375-0463-0131-223
<p>LC18 204-0131-203 convex, mech. dimmer semi-blackout</p>	376-0408-0131-273	376-0463-0131-223



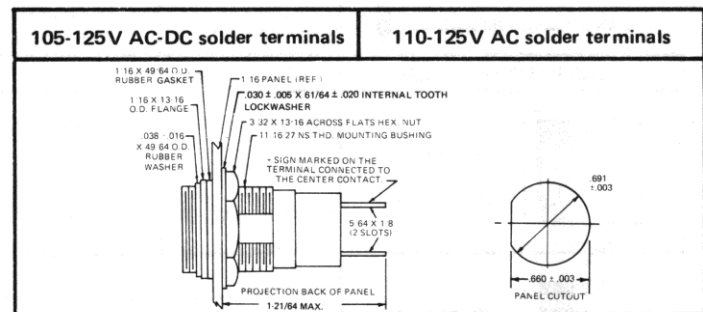
377-0463-1191-223

Stovepipe lens

**377 SERIES**

BASE PART NUMBERS

## WITH SCREW-ON LENS CAPS



105-125V AC-DC solder terminals	110-125V AC solder terminals
LH77/1 377-0408-11-273	LH77/2 377-0463-11-223

CAP PART NUMBERS	COMPLETE ASSEMBLY PART NUMBERS	
<p>LC19 169-1131-203 stovepipe, transparent</p>	377-0408-1131-273	377-0463-1131-223
<p>LC20 169-1191-203 stovepipe internal fluting</p>	377-0408-1191-273	377-0463-1191-223

Part numbers shown in gray are normally in inventory at your Dialight Distributor.

Order complete with lamp to be assured of receiving the indicator light and correct lamp together for immediate use.