

4

3

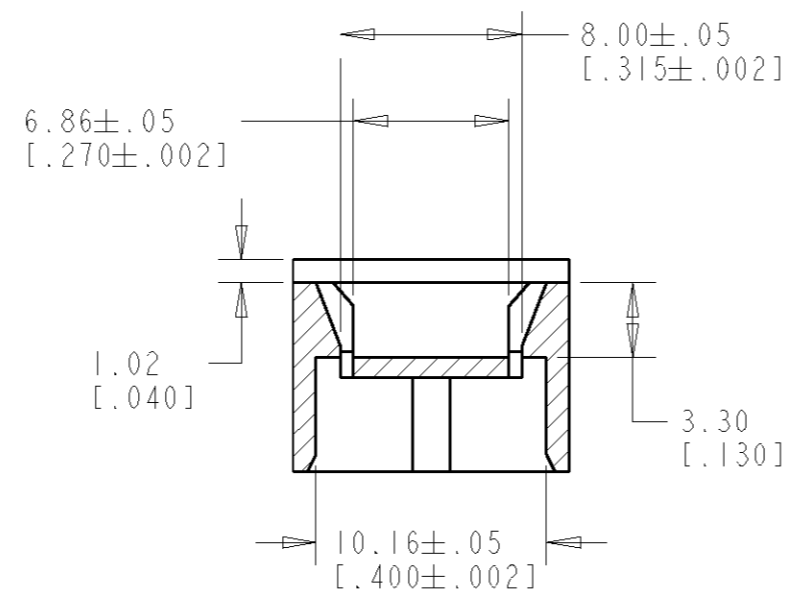
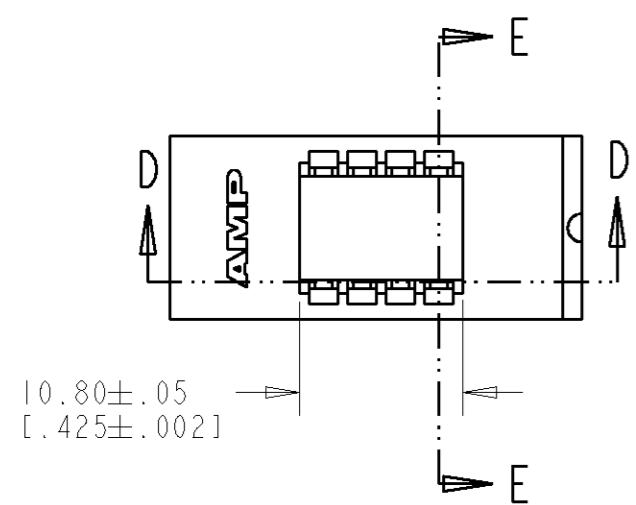
2

1

THIS DRAWING IS UNPUBLISHED. RELEASED FOR PUBLICATION .19 .

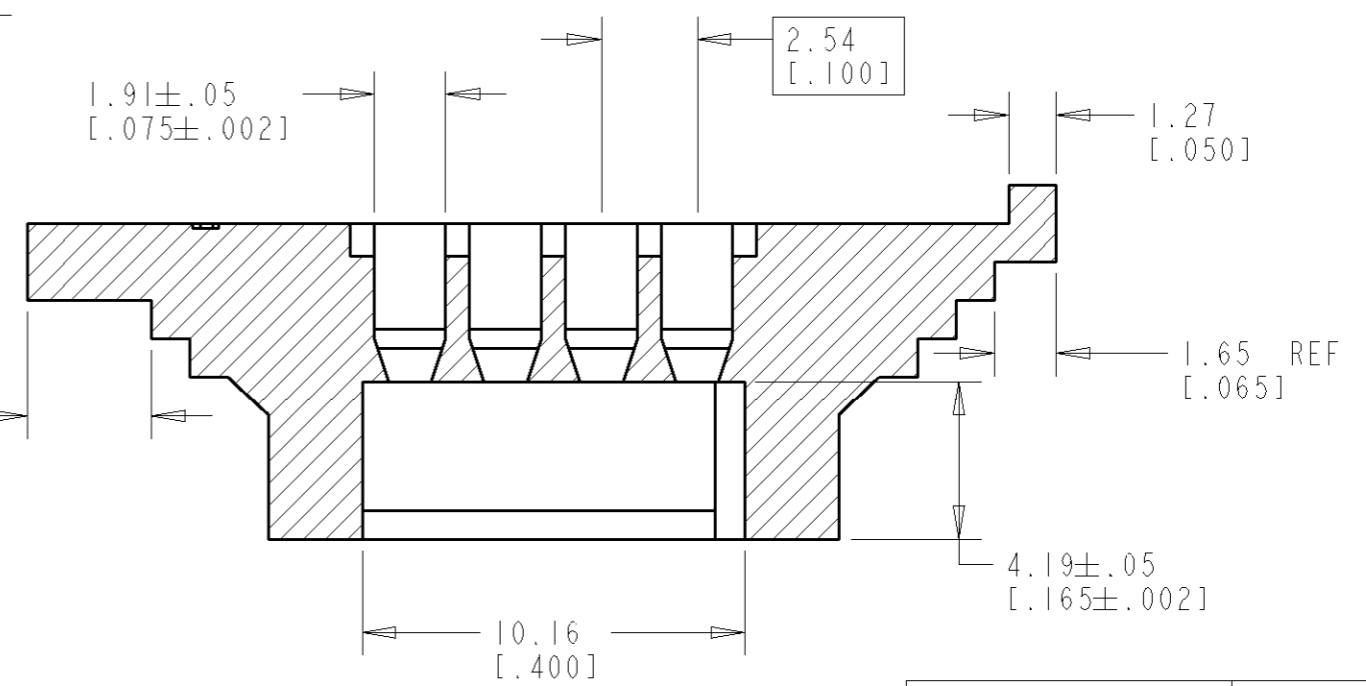
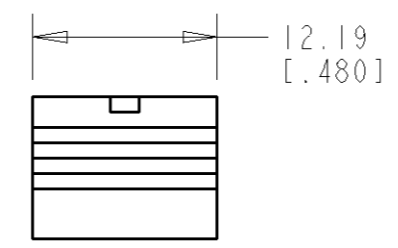
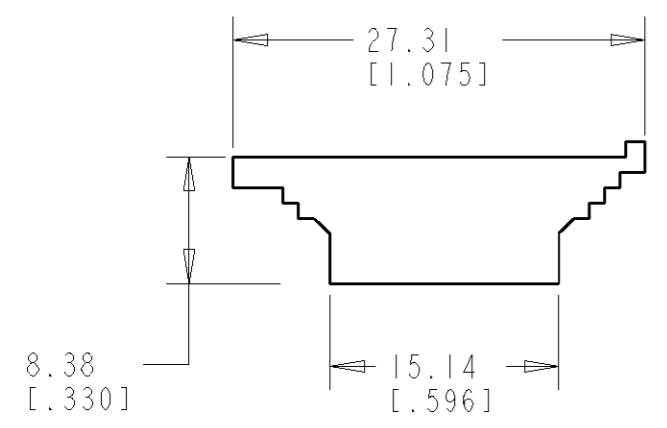
© COPYRIGHT 19 BY AMP INCORPORATED. ALL RIGHTS RESERVED.

LOC	DIST	REVISIONS				
P	LTR	DESCRIPTION	DATE	DWN	APVD	
FT	61	A	REV PER OG3C-0001-01	15JAN01	RB	KW
		B	REV PER OG3C-0024-02	23APR02	RB	JO



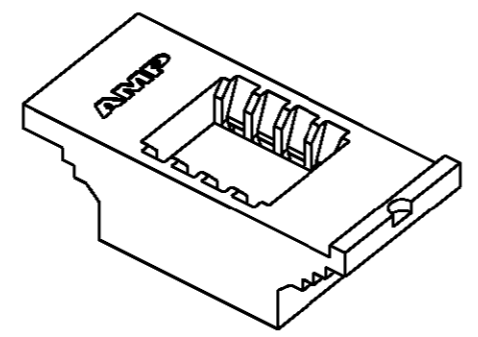
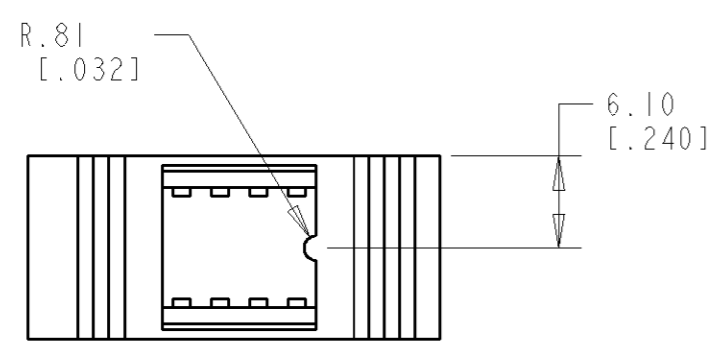
SECTION E-E
SCALE 3:1

- DIP CARRIER TO BE ADHESIVELY BONDED TO CARRIER BY CUSTOMER.
- MATERIAL: 30% GLASS-FILLED PBT.
- DESIGNED FOR FORMED LEADER DIPS ONLY.



SECTION D-D
SCALE 5:1

8	390280-1
NO. OF POSITIONS	PART NUMBER



THIS DRAWING IS A CONTROLLED DOCUMENT FOR AMP INCORPORATED. IT IS SUBJECT TO CHANGE AND THE CONTROLLING ENGINEERING ORGANIZATION SHOULD BE CONTACTED FOR THE LATEST REVISION.		DWN L.A. McEACHIN 06MAY99	AMP AMP Incorporated Harrisburg, PA 17105-3608
DIMENSIONS: mm [INCHES]		CHK G.S. RIDGILL 06MAY99	
TOLERANCES UNLESS OTHERWISE SPECIFIED:		APVD G.S. RIDGILL 06MAY99	NAME PLASTIC CARRIER FOR 8 POSITION DUAL IN-LINE PACKAGE
0 PLC ± .1		PRODUCT SPEC	SIZE A3
1 PLC ± .01		APPLICATION SPEC	CAGE CODE 00779
2 PLC ± .02		WEIGHT	DRAWING NO C-390280
3 PLC ± .005		CUSTOMER DRAWING	RESTRICTED TO
4 PLC ± .0005		SCALE 2:1	SHEET 1
ANGLES ±		OF 1	REV B
FINISH			
MATERIAL			
FINISH			