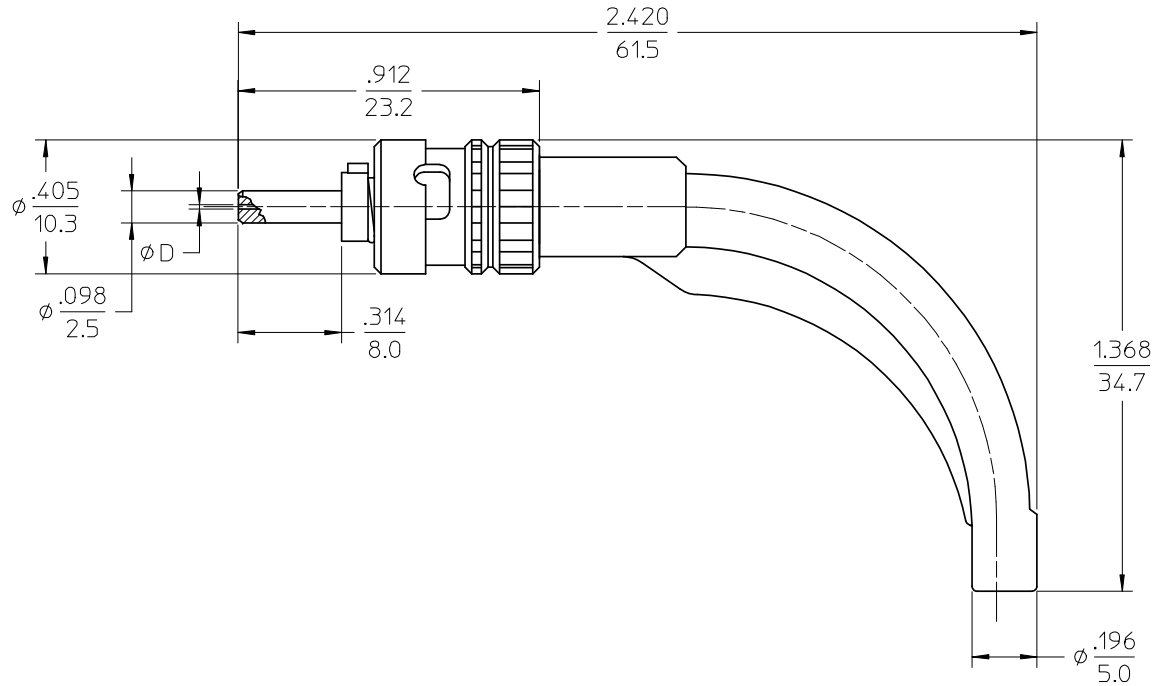


P/N	D (μm)	FERRULE MATERIAL	CABLE DIAMETER	BOOT COLOR	CABLE TYPE
106010-0400	127	Zr PLUS	3 mm	BLACK	MULTIMODE
106010-0440				RED	
106010-2400	125.5	Zr		BLACK	SINGLE MODE
106010-2440				RED	
106010-3400	128			BLACK	MULTIMODE
106010-3440				RED	
106010-5400	126	Zr		BLACK	SINGLE MODE
106010-5440				RED	
106010-7400	127	Zr	BLACK		
106010-7440			RED		



ENTER DESCRIPTION EC NO: MF2008-0531 DRWN: IGUMIN CHKD: IGUMIN APPR: IGUMIN	2008/06/03 2008/06/03 2008/06/03	DESCRIPTION REV	QUALITY SYMBOLS ▽=0 ▽=0	GENERAL TOLERANCES (UNLESS SPECIFIED) mm INCH 4 PLACES ±--- ±--- 3 PLACES ±--- ±--- 2 PLACES ±--- ±--- 1 PLACE ±--- ±--- ANGULAR ±1/2°	DIMENSION STYLE IN/MM	SCALE 4:1	DESIGN UNITS INCH	THIRD ANGLE PROJECTION
			DRAWN BY PGIBLIN	DATE 2005/10/13	TITLE ST CONNECTOR (PLASTIC NUT, 90D BOOT)			
			CHECKED BY	DATE	APPROVED BY IGUMIN	DATE 2005/10/13	MOLEX INCORPORATED	
			MATERIAL NO. SEE TABLE	DOCUMENT NO. SD-106010-XXX0	SHEET NO. 1 OF 1	DRAFT WHERE APPLICABLE MUST REMAIN WITHIN DIMENSIONS		
			SIZE B	THIS DRAWING CONTAINS INFORMATION THAT IS PROPRIETARY TO MOLEX INCORPORATED AND SHOULD NOT BE USED WITHOUT WRITTEN PERMISSION				