

1

2

3

4

5

6

7

A

B

C

D

E

F

G

H

A

B

C

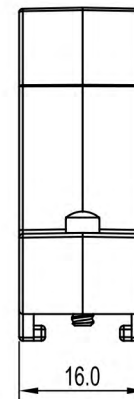
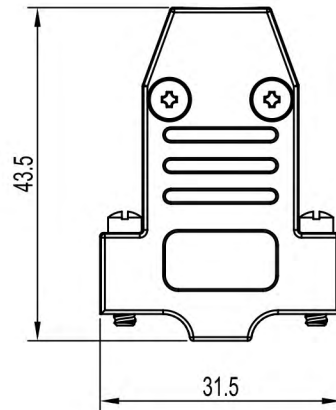
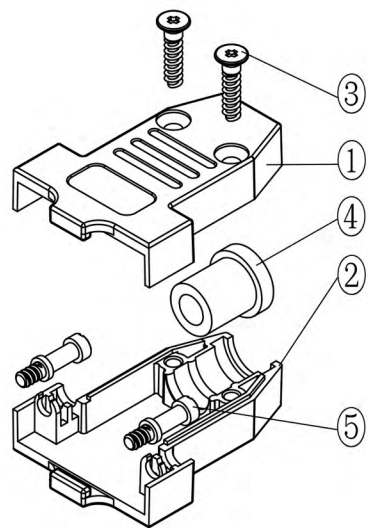
D

E

F

G

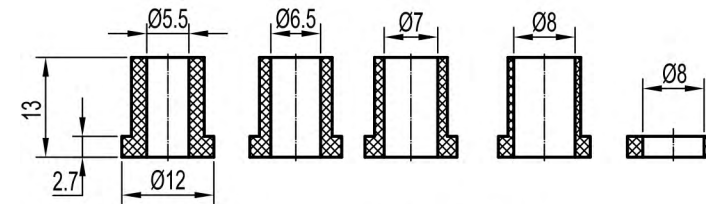
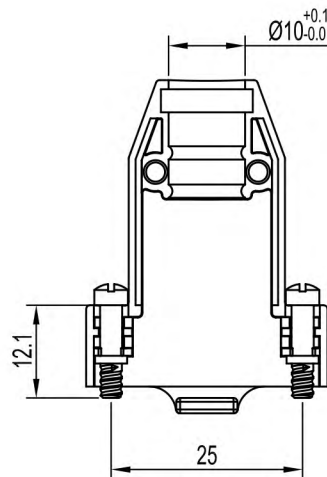
H



#### TECHNICAL SPECIFICATIONS

Material: ABS Plastic, UL94-HB  
 Plating: Nickel over Copper  
 Operating Temperature: -40°C to +120°C  
 Thumbscrews: UNC 4-40

No. of contacts: 09-15-25-37-50



Compression Inserts

Item	QTY	Part description
1	1	Upper Cover
2	1	Lower Cover
3	2	ST2.9x13 Self tapping Screw
4	1	Compression Insert
5	2	UNC 4-40x12.1 Jackscrew

**RoHS compliant**  
 Unit: mm

Scale	Free						Date	Name	Customer-No.	
TOLERANCE							Drawn	17.08.2017	S.Bölling	ASSMANN WSW-No. <b>ACOV-SUB-09MB1</b>
0~6	±0.10					Approved	17.08.2017	S.Bölling		
6~30	±0.20									
30~120	±0.30									
120~400	±0.50								Drawing-No.	
DIM	Tol								<b>ASS_5242_CO</b>	rev00
Angle	±1°	©	Drawn				17.08.2017	S.Bölling	Replace	Sheet 1/3
Angle	Tol	Id.	Modification				Date	Name		

**ASSMANN**  
 WSW components

1

2

3

4

5

6

7

SV4382

1

2

3

4

5

6

7

A

B

C

D

E

F

G

H

A

B

C

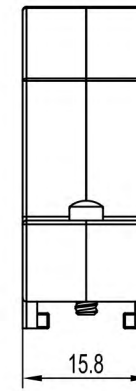
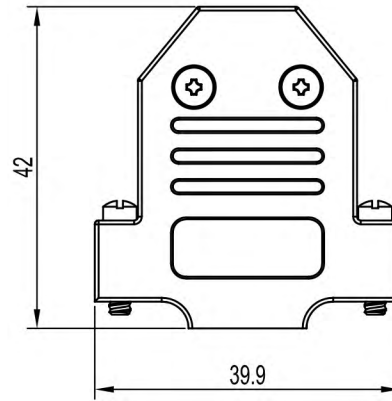
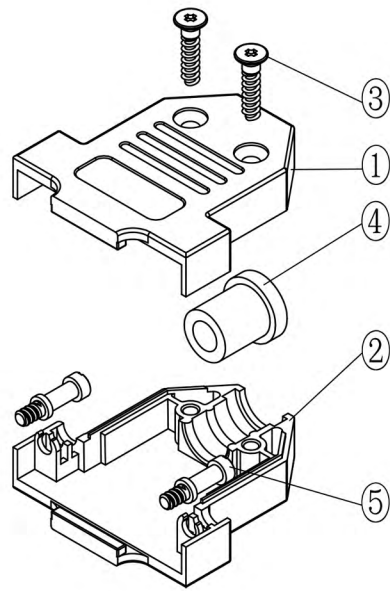
D

E

F

G

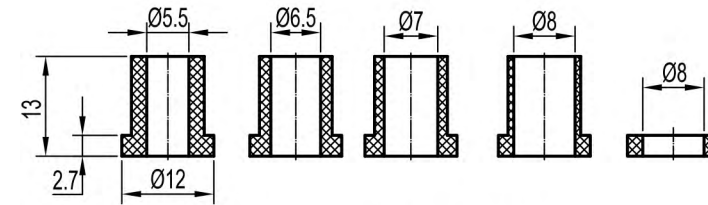
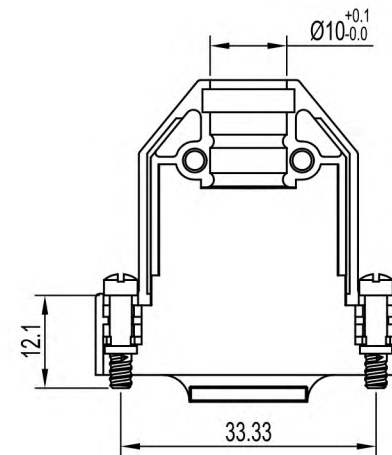
H



TECHNICAL SPECIFICATIONS

Material: ABS Plastic, UL94-HB  
 Plating: Nickel over Copper  
 Operating Temperature: -40°C to +120°C  
 Thumbscrews: UNC 4-40

No. of contacts: 09-15-25-37-50



Compression Inserts

Item	QTY	Part description
1	1	Upper Cover
2	1	Lower Cover
3	2	ST2.9x13 Self tapping Screw
4	1	Compression Insert
5	2	UNC 4-40x12.1 Jackscrew

RoHS compliant

Unit: mm

Scale	Free				Date	Name	Customer-No.
TOLERANCE					Drawn	17.08.2017	S.Bölling
0~6	±0.10				Approved	17.08.2017	S.Bölling
6~30	±0.20						
30~120	±0.30						
120~400	±0.50						
DIM	Tol						
Angle	±1°	© Drawn	17.08.2017	S.Bölling			
Angle	Tol	Id.	Modification	Date			

ASSMANN WSW-No.  
**ACOV-SUB-15MB1**

Drawing-No.  
**ASS\_5242\_CO** rev00  
 Replace  
 Sheet 2/3

1

2

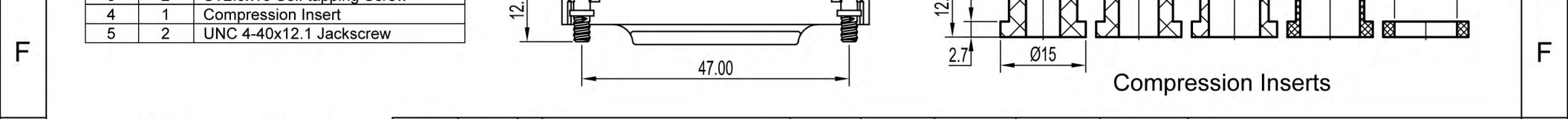
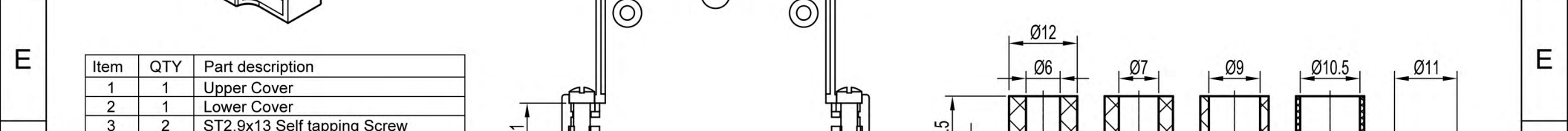
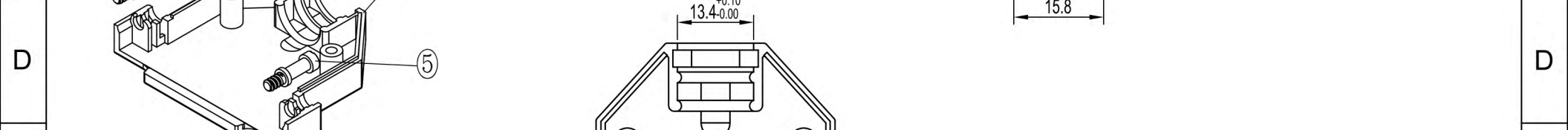
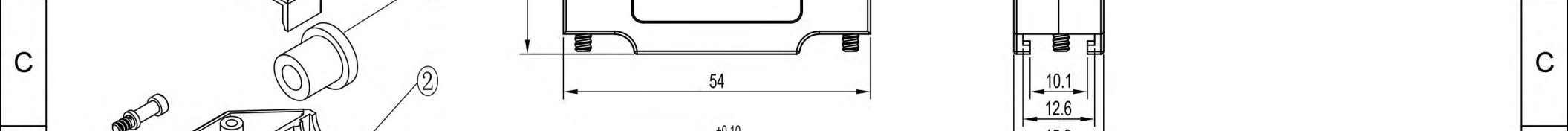
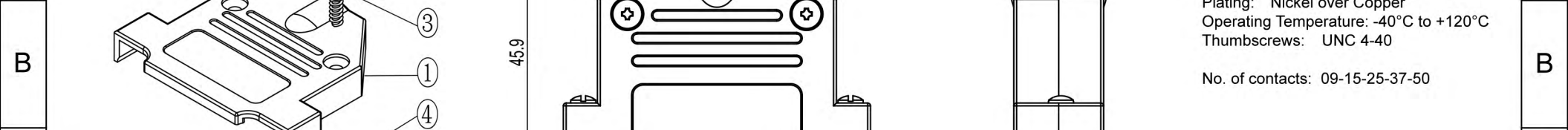
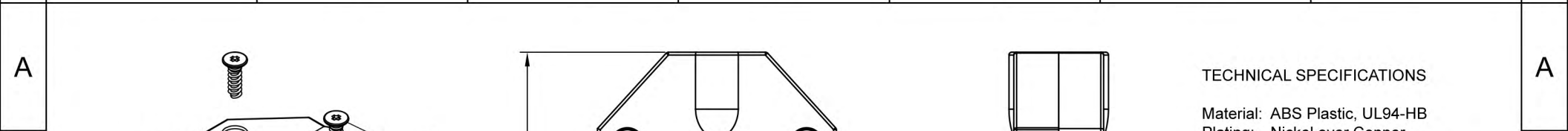
3

4

5

6

7



**TECHNICAL SPECIFICATIONS**  
 Material: ABS Plastic, UL94-HB  
 Plating: Nickel over Copper  
 Operating Temperature: -40°C to +120°C  
 Thumbscrews: UNC 4-40  
 No. of contacts: 09-15-25-37-50

Item	QTY	Part description
1	1	Upper Cover
2	1	Lower Cover
3	2	ST2.9x13 Self tapping Screw
4	1	Compression Insert
5	2	UNC 4-40x12.1 Jackscrew

Compression Inserts

**RoHS compliant**  
 Unit: mm

Scale	Free				Date	Name	Customer-No.
TOLERANCE					Drawn	17.08.2017	S.Bölling
0~6	±0.10				Approved	17.08.2017	S.Bölling
6~30	±0.20						
30~120	±0.30						
120~400	±0.50						
DIM	Tol						
Angle	±1°	Ⓢ	Drawn	17.08.2017	S.Bölling	ASSMANN WSW-No. <b>ACOV-SUB-25MB1</b>	
Angle	Tol	Id.	Modification	Date	Name	Drawing-No. <b>ASS_5242_CO</b> rev00	
						Replace	Sheet 3/3

