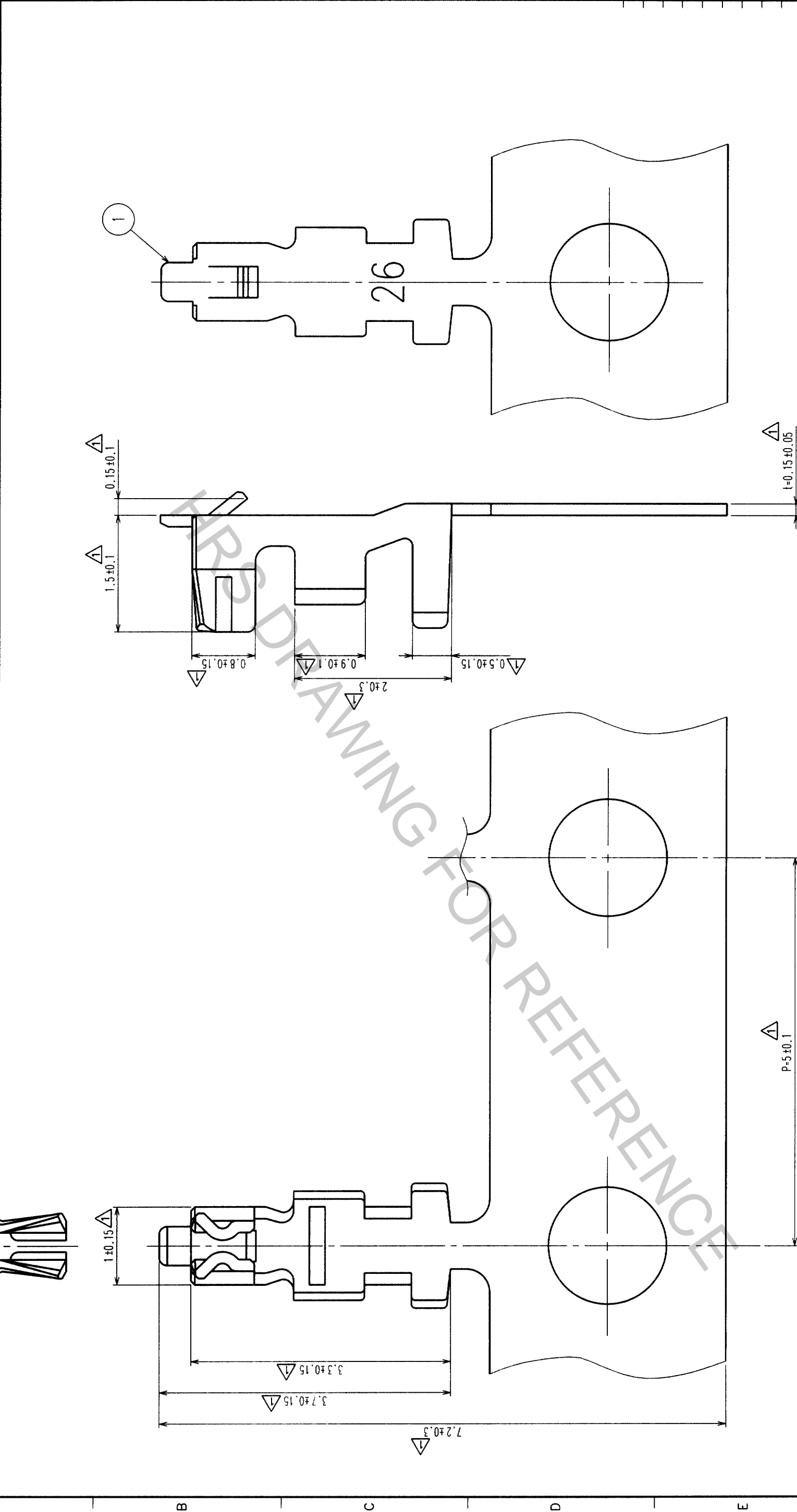


COUNT	DESCRIPTION OF REVISIONS	BY	CHKD	DATE	COUNT	DESCRIPTION OF REVISIONS	BY	CHKD	DATE
17	RE-H-03268	I.Y.	K.A.	99.3.25					



TO			
----	--	--	--

Δ NOTES 1: APPLICABLE WIRE : 26 - 30 AWG
JACKET DIAMETER : 1.0 mm MAX
Δ 2: 1 REEL 10000 CONTACTS

NO.	MATERIAL	FINISH, REMARKS	NO.	MATERIAL	FINISH, REMARKS
1	PHOSPHOR BRONZE	TIN PLATED			

CODE NO. (OLD)	FINISH, REMARKS	NO.	MATERIAL	FINISH, REMARKS	APPROVED	RELEASED

DRAWN	DESIGNED	CHECKED	APPROVED
T.Goi	I.Toshiro	K.Akiyama	M.Yamamoto

DRAWING NO.	PART NO.
EDC3-081857	DF13-2630SCF

SCALE	UNITS	CODE NO.
20 : 1	mm	CL536-0300-5