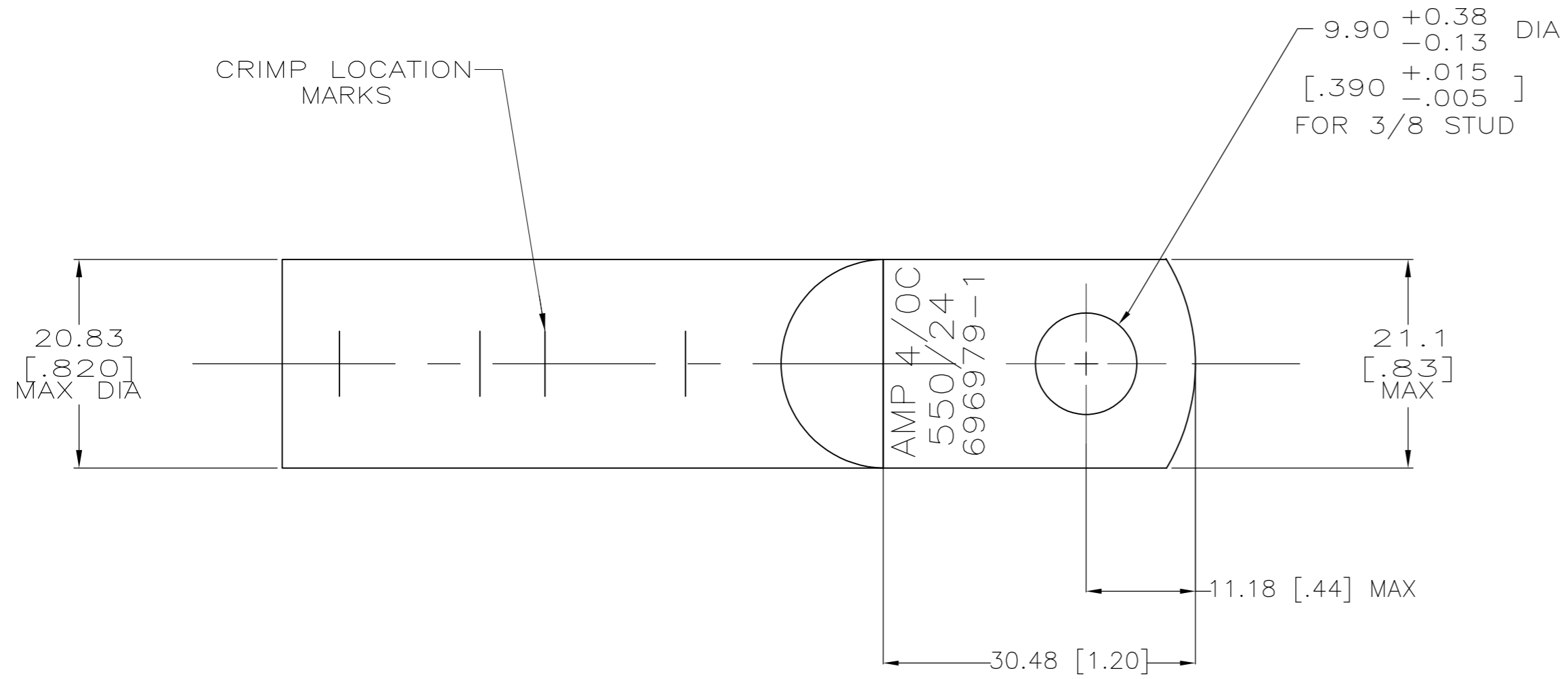
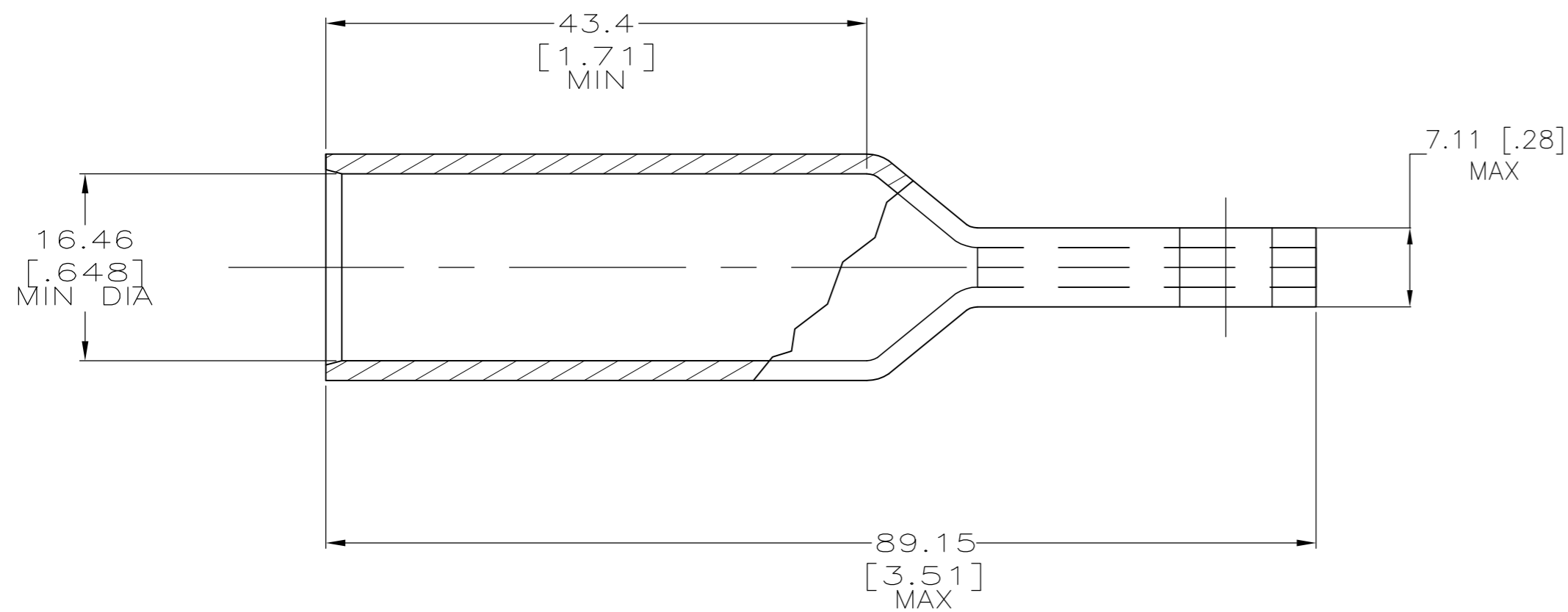


THIS DRAWING IS UNPUBLISHED. RELEASED FOR PUBLICATION
 © COPYRIGHT BY TYCO ELECTRONICS CORPORATION. ALL RIGHTS RESERVED.

LOC	DIST	REVISIONS			
P	LTR	DESCRIPTION	DATE	DWN	APVD
G	86	A1	REL PER ECR 08-022086	02SEPT08	JR RL



- 1 CIRCULAR MIL RANGE: 100.0mm² [190,000] TO 125.0mm² [231,000] CIR MILS
- 2 COPPER PER ASTM B-75, ANNEALED
- 3 TIN PLATE 0.00381 [.000150] MIN PER ASTM B-545



696979-1
 AMP
 PART NUMBER

THIS DRAWING IS A CONTROLLED DOCUMENT.		DWN JR RUTH 30MAY06	Tyco Electronics Corporation Harrisburg, PA 17105-3608	
DIMENSIONS: mm [INCHES]		CHK MJ SPICER 30MAY06	NAME TERMINAL, CENTER LINE, AMPOWER, WIRE SIZE: 4/0 AWG	
TOLERANCES UNLESS OTHERWISE SPECIFIED:		APVD MJ SPICER 30MAY06	SIZE A2	CAGE CODE 00779
0 PLC ± -		PRODUCT SPEC	DRAWING NO C=696979	RESTRICTED TO
1 PLC ± -		APPLICATION SPEC	SCALE 2:1	SHEET 1 of 1
2 PLC ± 0.51 [.020]		WEIGHT -	REV A1	
3 PLC ± 0.13 [.005]		CUSTOMER DRAWING		
4 PLC ± -				
ANGLES ± -				
FINISH				
MATERIAL				