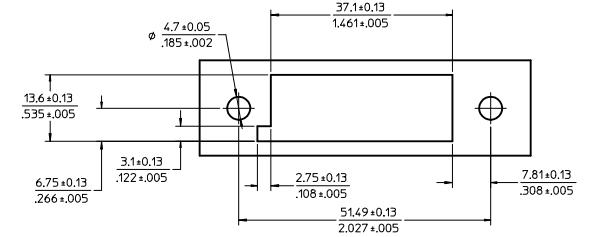
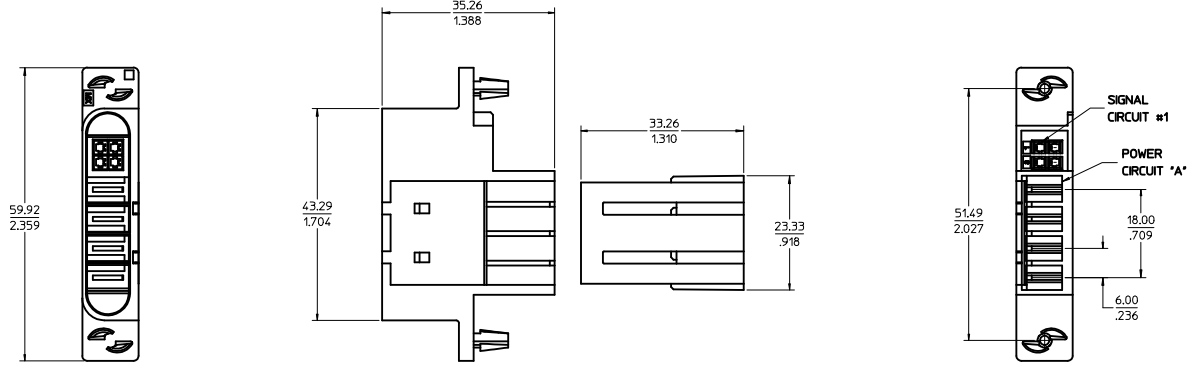


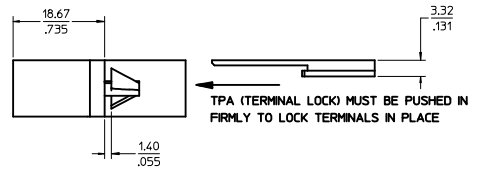
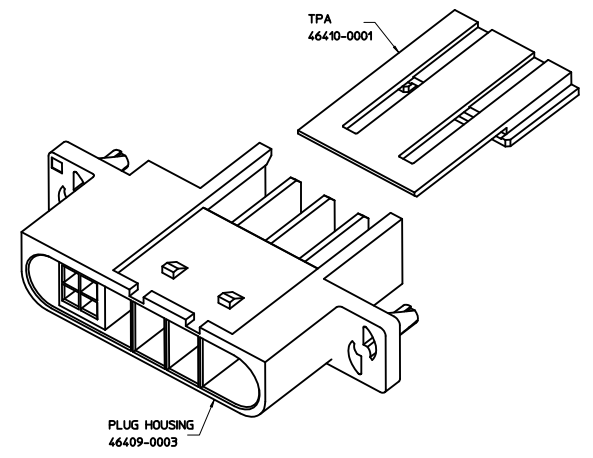
KIT PART NUMBER	HOUSING No.	TPA No.
46409-1200	46409-0003	46410-0001

REPLACING PART NO.  
46409-0001



**RECOMMENDED MOUNTING BRACKET CUT-OUT**

PANEL THICKNESS: 1.22±0.05/.048±.002  
(SEE NOTE 5)



- NOTES:
1. MATERIAL: PBT OR EQUIVALENT, 94V-0, COLOR: BLACK.
  2. HOUSING ACCEPTS MOLEX TERMINAL NUMBERS: 44262-6321 (POWER) AND 43031-0001 (SIGNAL). NOT SHOWN. SOLD SEPARATELY.
  3. PLUG MATES WITH RECEPTACLE HOUSING 46408-0003.
  4. PLUG REQUIRES INCLUDED POWER TERMINAL LOCK (TPA) 46410-0001. ALSO AVAILABLE SEPARATELY.
  5. CONNECTOR SHOULD ASSEMBLED (PRESSED IN) ON THE PUNCH-SIDE OF THE MOUNTING BRACKET.
  6. HOUSING AND ASSOCIATED COMPONENTS ARE RoHS COMPLIANT.
  7. PACKAGED PER MOLEX PACKAGING SPEC: PK-46408-\*\*\*.

<b>REV DOC NO RSD TO SD</b> E.C. NO: UCF2012-1352 DRAWN: JUILLES 2011/10/27 CHYK: APATEL 2011/10/27 APPR: APATEL 2011/10/28	QUALITY SYMBOLS DESCRIPTION	GENERAL TOLERANCES (UNLESS SPECIFIED)		DIMENSION STYLE MM/IN		SCALE 1:1	DESIGN UNITS METRIC	THIRD ANGLE PROJECTION	
		4 PLACES ± .10 3 PLACES ± .010 2 PLACES ± 0.25 1 PLACE ± .010	mm INCH	DRAWN BY SBOGIEL	DATE 2008/7/18	TITLE PLUG HOUSING AND TPA KIT 4 CKT POWER AND SIGNAL			
		ANGULAR ± 2 °	DRAFT WHERE APPLICABLE MUST REMAIN WITHIN DIMENSIONS	APPROVED BY APATEL	DATE 2011/10/28	MOLEX INCORPORATED			
		MATERIAL NO. 46409-1200	DOCUMENT NO. SD-46409-1200	SHEET NO. 1 OF 1		THIS DRAWING CONTAINS INFORMATION THAT IS PROPRIETARY TO MOLEX INCORPORATED AND SHOULD NOT BE USED WITHOUT WRITTEN PERMISSION			