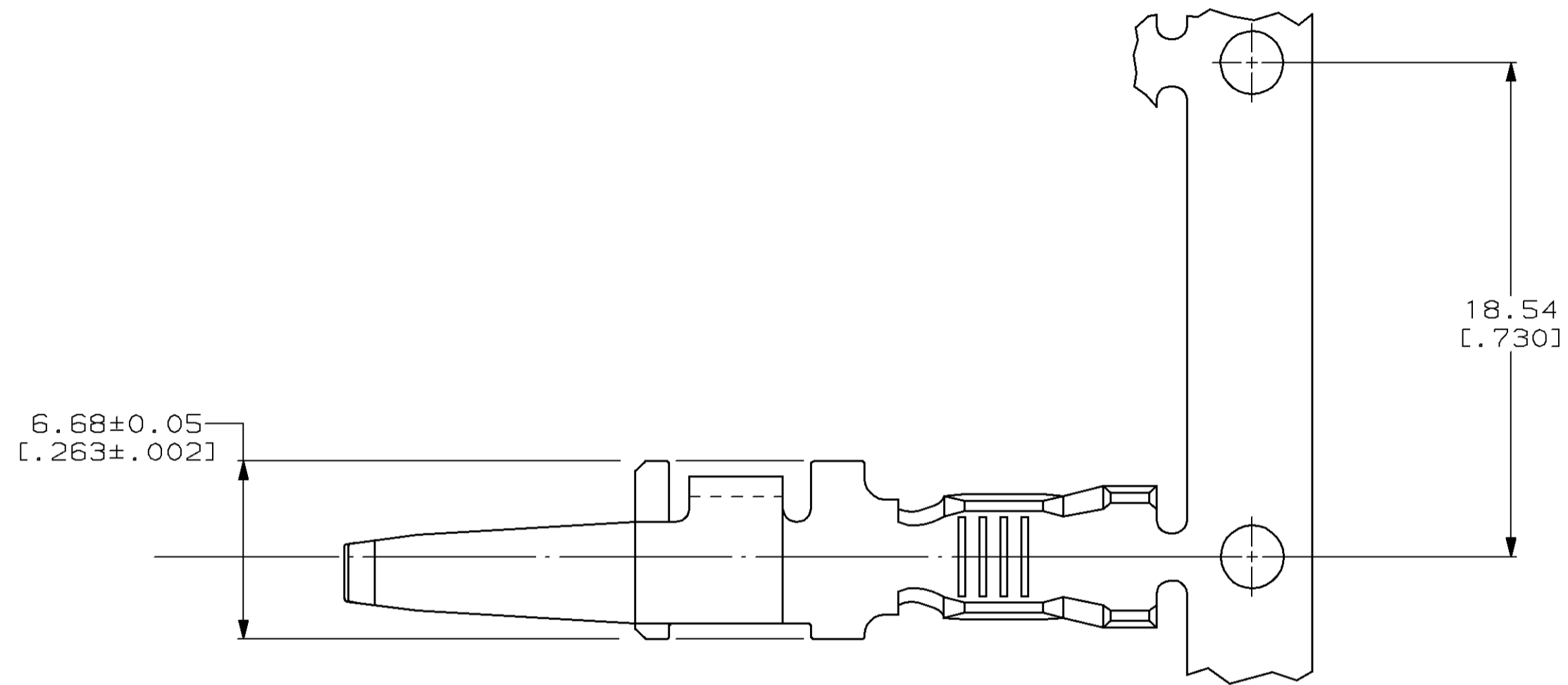
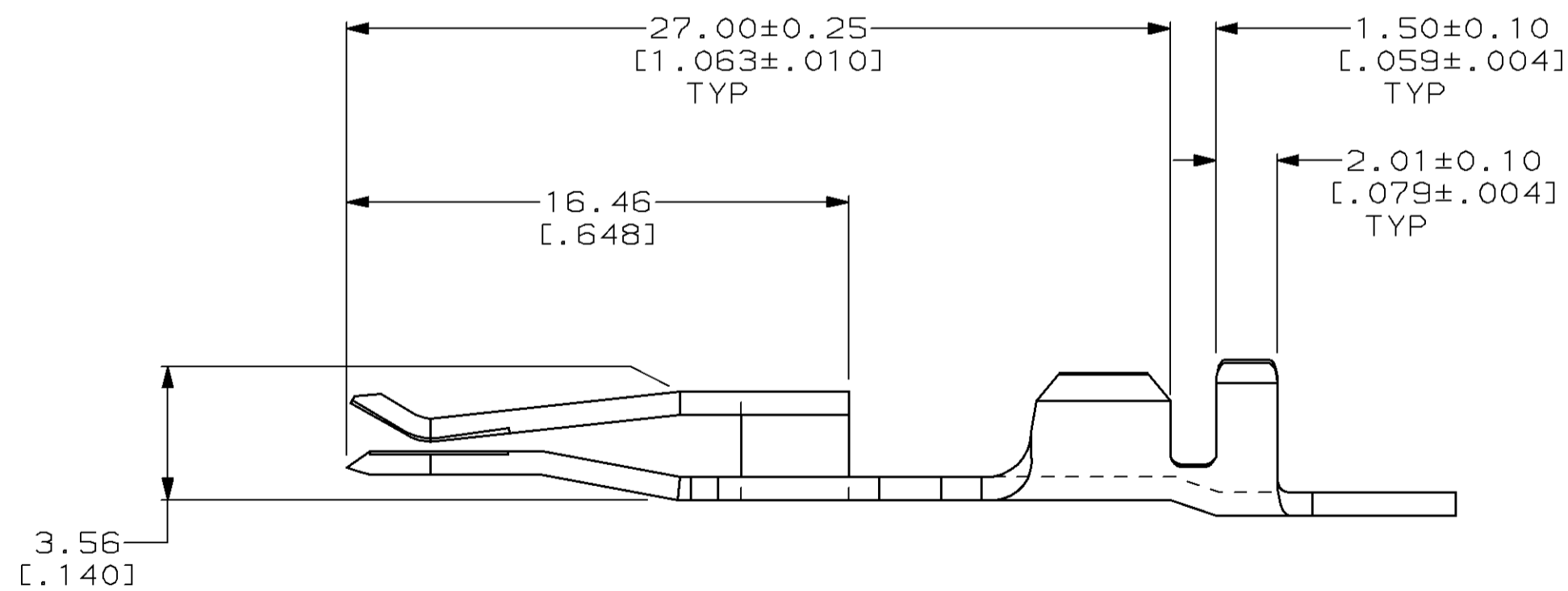


THIS DRAWING IS UNPUBLISHED. RELEASED FOR PUBLICATION
 BY AMP INCORPORATED. ALL RIGHTS RESERVED.

LOC	DIST	REVISIONS					
FT	60	P	LTR	DESCRIPTION	DATE	DWN	APVD
		0		RLSE PER NPR 29 WAS 96-3951-1-1	20 MAR 97	-	-



- 1 ZIRCONIUM COPPER ALLOY
- 2 2.54µm [.000100] MIN TIN.
- 3. WIRE BARREL WILL ACCEPT ONE 18, 16 OR 14 AWG COPPER WIRE OR COMBINATIONS OF 18 AND 16 AWG COPPER WIRE, INSULATION Ø 2.10-3.00 [.083-.118].



788109-1
PART NUMBER

THIS DRAWING IS A CONTROLLED DOCUMENT.		DWN C. OBERMAN 20 MAR 97	AMP Incorporated Harrisburg, PA 17105-3608	
DIMENSIONS: mm [INCHES]		CHK R. STONE 20 MAR 97	NAME M. McALONIS	
TOLERANCES UNLESS OTHERWISE SPECIFIED:		APVD M. McALONIS 20 MAR 97	PRODUCT SPEC 108-1373	
0 PLC ±-		APPLICATION SPEC 114-6051		
1 PLC ±-		SIZE A2		
2 PLC ±0.13 [.005]		CAGE CODE 00779		
3 PLC ±-		DRAWING NO C=788109		
4 PLC ±-		RESTRICTED TO -		
ANGLES ±-		SCALE 5:1		
FINISH		SHEET 1 OF 1		
MATERIAL 1		REV 0		
FINISH 2		CUSTOMER DRAWING		

618109
788109