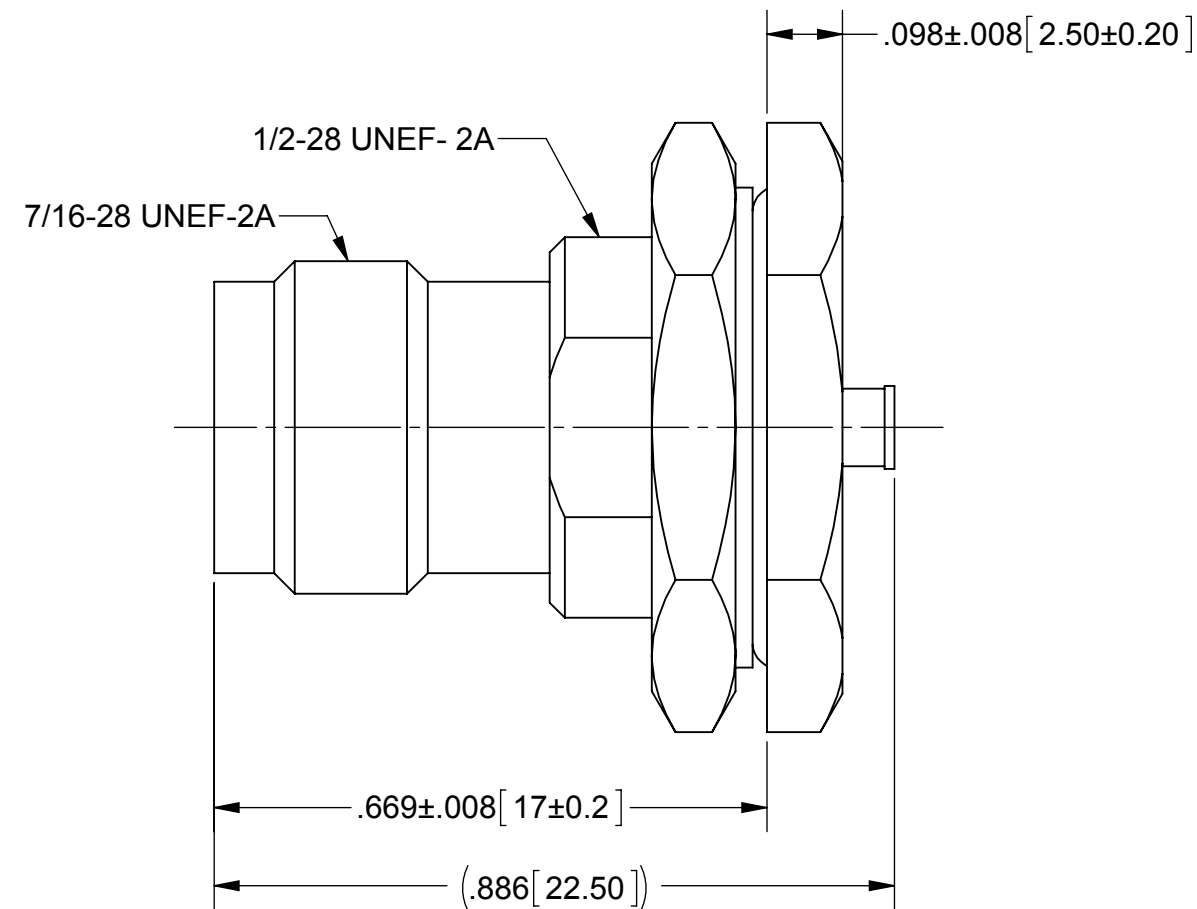
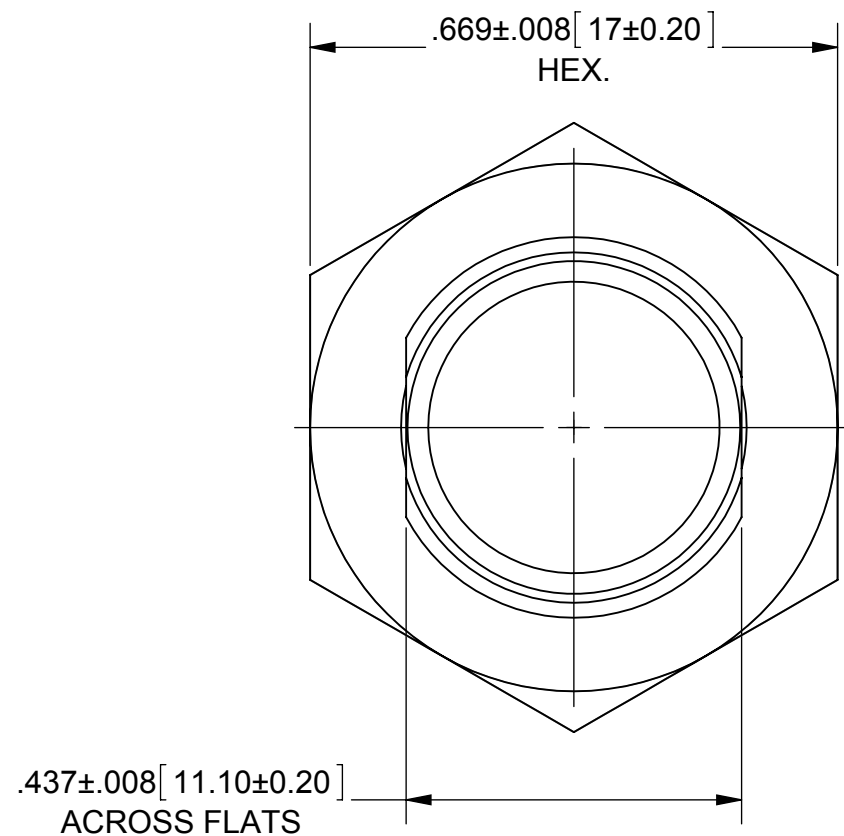


PRODUCT DATA DRAWING

| REVISION HISTORY | | | |
|------------------|-------------|-------|----------|
| REV | DESCRIPTION | DATE | APPROVED |
| - | DCN 41023 | 01/15 | STW |
| | | | |



MATERIAL:

BODY: BRASS
 CONTACT: BERYLLIUM COPPER
 INSULATOR: PTFE

FINISH:

BODY: TERNARY-ALLOY
 CONTACT: GOLD

PERFORMANCE:

OPERATING TEMP.: -45 °C TO +120 °C

| | | | |
|---|--|--|---|
| MATERIAL: SEE NOTES | DIMENSIONS ARE IN INCHES TOLERANCES: FRACTIONAL: ±1/64 ANGULAR: X° ±1'0" X°X' ±15' | UNLESS OTHERWISE SPECIFIED 1) ALL DIMENSIONS ARE IN INCHES (MILLIMETERS) 2) ALL DIMENSIONS ARE AFTER PLATING. 3) BREAK CORNERS & EDGES .005 R. MAX. 4) CHAM. 1ST & LAST THREADS. 5) SURFACE ROUGHNESS 63-MIL-STD-10. 6) DIA: 'S ON COMMON CENTERS TO BE CONCENTRIC WITHIN .005 T.I.R. 7) REMOVE ALL BURRS | SV Microwave, Inc. 2400 Centrepark West Drive, Suite 100 West Palm Beach, FL 33409 |
| FINISH: SEE NOTES | DECIMAL: X ±.030 .XX ±.010 .XXX ±.005 | INTERPRET DIMENSIONS AND TOLERANCES PER ASME Y14.5M - 1994 | TITLE: TNC JACK BULKHEAD FOR Ø.085 (SOLDER) |
| SURFACE AREA: N/A | THIRD ANGLE PROJECTION | DRAWN: MAL 01/07/15 | SIZE B CAGE CODE 95077 DWG. NO. 4021-00064 |
| PROPRIETARY THE INFORMATION CONTAINED IN THIS DRAWING IS THE SOLE PROPERTY OF SV MICROWAVE, INC. ANY REPRODUCTION IN PART OR AS A WHOLE WITHOUT THE WRITTEN PERMISSION OF SV MICROWAVE, INC IS PROHIBITED. | | CHECKED: STW 01/07/15 APPROVED: STW 01/07/15 | SCALE: 4:1 SHEET 1 OF 1 |